

 **GLEM**

Io Cucino
con

 **GLEM**



Microwave Oven
INSTRUCTION MANUAL

MODEL: GMF202SI
GMF202WH

Read these instructions carefully before using your microwave oven, and keep it carefully.

If you follow the instructions, your oven will provide you with many years of good service.

SAVE THESE INSTRUCTIONS CAREFULLY

PRECAUTIONS TO AVOID POSSIBLE EXPOSURE TO EXCESSIVE MICROWAVE ENERGY

(a) Do not attempt to operate this oven with the door open since this can result in harmful exposure to microwave energy. It is important not to break or tamper with the safety interlocks.

(b) Do not place any object between the oven front face and the door or allow soil or cleaner residue to accumulate on sealing surfaces.

(c) **WARNING:** If the door or door seals are damaged, the oven must not be operated until it has been repaired by a competent person.

ADDENDUM

If the apparatus is not maintained in a good state of cleanliness, its surface could be degraded and affect the lifespan of the apparatus and lead to a dangerous situation.

Specifications

Model:	GMF202SI/GMF202WH
Rated Voltage:	230V~50Hz
Rated Input Power(Microwave):	1270W
Rated Output Power(Microwave):	800W
Rated Input Power(Grill):	1000W
Oven Capacity:	20L
Turntable Diameter:	Ø255mm
External Dimensions(LxWxH):	440x335x258mm
Net Weight:	Approx. 10.7 kg

IMPORTANT SAFETY INSTRUCTIONS

WARNING

To reduce the risk of fire, electric shock, injury to persons or exposure to excessive microwave oven energy when using your appliance, follow basic precautions, including the following:

1. Warning: Liquids and other foods must not be heated in sealed containers since they are liable to explode.
2. Warning: It is hazardous for anyone other than a competent person to carry out any service or repair operation that involves the removal of a cover which gives protection against exposure to microwave energy.
3. This appliance can be used by children aged from 8 years and above and persons with reduced physical, sensory or mental capabilities or lack of experience and knowledge if they have been given supervision or instruction concerning use of the appliance in a safe way and understand the hazards involved. Children shall not play with the appliance. Cleaning and user maintenance shall not be made by children unless they are older than 8 and supervised.
4. Keep the appliance and its cord out of reach of children less than 8 years.
5. Only use utensils suitable for use in microwave ovens.
6. The oven should be cleaned regularly and any food deposits should be removed.
7. Read and follow the specific: "PRECAUTIONS TO AVOID POSSIBLE EXPOSURE TO EXCESSIVE MICROWAVE ENERGY".
8. When heating food in plastic or paper containers, keep an eye on the oven due to the possibility of ignition.

9. If smoke is emitted, switch off or unplug the appliance and keep the door closed in order to stifle any flames.
10. Do not overcook food.
11. Do not use the oven cavity for storage purposes. Do not store items, such as bread, cookies, etc. inside the oven.
12. Remove wire twist-ties and metal handles from paper or plastic containers/bags before placing them in the oven.
13. Install or locate this oven only in accordance with the installation instructions provided.
14. Eggs in the shell and whole hard-boiled eggs should not be heated in microwave ovens since they may explode, even after microwave heating has ended.
15. This appliance is intended to be used in household and similar applications such as:
 - staff kitchen areas in shops, offices and other working environments;
 - by clients in hotels, motels and other residential type environments;
 - farm houses;
 - bed and breakfast type environments.
16. If the supply cord is damaged, it must be replaced by the manufacturer, its service agent or similarly qualified persons in order to avoid a hazard.
17. Do not store or use this appliance outdoors.
18. Do not use this oven near water, in a wet basement or near a swimming pool.
19. The temperature of accessible surfaces may be high when the appliance is operating. The surfaces are liable to get hot during use. Keep cord away from heated surface, and do not cover any vents on the oven.

20. Do not let cord hang over edge of table or counter.
21. Failure to maintain the oven in a clean condition could lead to deterioration of the surface that could adversely affect the life of the appliance and possibly result in a hazardous situation.
22. The contents of feeding bottles and baby food jars shall be stirred or shaken and the temperature checked before consumption, in order to avoid burns.
23. Microwave heating of beverages can result in delayed eruptive boiling, therefore care must be taken when handling the container.
24. The appliance is not intended for use by persons (including children) with reduced physical, sensory or mental capabilities, or lack of experience and knowledge, unless they have been given supervision or instruction concerning use of the appliance by a person responsible for their safety.
25. Children should be supervised to ensure that they do not play with the appliance.
26. The appliances are not intended to be operated by means of an external timer or separate remote-control system.
27. Accessible parts may become hot during use. Young children should be kept away.
28. Steam cleaner is not to be used.
29. During use the appliance becomes hot. Care should be taken to avoid touching heating elements inside the oven.
30. Only use the temperature probe recommended for this oven. (for ovens provided with a facility to use a temperature-sensing probe.)

31. WARNING: The appliance and its accessible parts become hot during use. Care should be taken to avoid touching heating elements. Children less than 8 years of age shall be kept away unless continuously supervised.

32. The microwave oven must be operated with the decorative door open. (for ovens with a decorative door.)

33. The rear surface of appliance shall be placed against a wall.

34. The microwave oven shall not be placed in a cabinet unless it has been tested in a cabinet.

READ CAREFULLY AND KEEP FOR FUTURE
REFERENCE

To Reduce the Risk of Injury to Persons Grounding Installation

DANGER

Electric Shock Hazard
Touching some of the internal components can cause serious personal injury or death. Do not disassemble this appliance.

WARNING

Electric Shock Hazard
Improper use of the grounding can result in electric shock. Do not plug into an outlet until appliance is properly installed and grounded.

This appliance must be grounded. In the event of an electrical short circuit, grounding reduces the risk of electric shock by providing an escape wire for the electric current. This appliance is equipped with a cord having a grounding wire with a grounding plug. The plug must be plugged into an outlet that is properly installed and grounded.

Consult a qualified electrician or serviceman if the grounding instructions are not completely understood or if doubt exists as to whether the appliance is properly grounded. If it is necessary to use an extension cord, use only a 3-wire

1. A short power-supply cord is provided to reduce the risks resulting from becoming entangled in or tripping over a longer cord.
2. If a long cord set or extension cord is used:
 - 1) The marked electrical rating of the cord set or extension cord should be at least as great as the electrical rating of the appliance.
 - 2) The extension cord must be a grounding-type 3-wire cord.
 - 3) The long cord should be arranged so that it will not drape over the counter top or table top where it can be pulled on by children or tripped over unintentionally.

CLEANING

Be sure to unplug the appliance from the power supply.

1. Clean the cavity of the oven after using with a slightly damp cloth.
2. Clean the accessories in the usual way in soapy water.
3. The door frame and seal and neighbouring parts must be cleaned carefully with a damp cloth when they are dirty.
4. Do not use harsh abrasive cleaners or sharp metal scrapers to clean the oven door glass since they can scratch the surface, which may result in shattering of the glass.
5. **Cleaning Tip**---For easier cleaning of the cavity walls that the food cooked can touch: Place half a lemon in a bowl, add 300ml (1/2 pint) water and heat on 100% microwave power for 10 minutes. Wipe the oven clean using a soft, dry cloth.

UTENSILS

CAUTION

Personal Injury Hazard
It is hazardous for anyone other than a competent person to carry out any service or repair operation that involves the removal of a cover which gives protection against exposure to microwave energy.

See the instructions on "Materials you can use in microwave oven or to be avoided in microwave oven."

There may be certain non-metallic utensils that are not safe to use for microwaving. If in doubt, you can test the utensil in question following the procedure below.

Utensil Test:

1. Fill a microwave-safe container with 1 cup of cold water (250ml) along with the utensil in question.
2. Cook on maximum power for 1 minute.
3. Carefully feel the utensil. If the empty utensil is warm, do not use it for microwave cooking.
4. Do not exceed 1 minute cooking time.

Materials you can use in microwave oven

Utensils	Remarks
Aluminum foil	Shielding only. Small smooth pieces can be used to cover thin parts of meat or poultry to prevent overcooking. Arcing can occur if foil is too close to oven walls. The foil should be at least 1 inch (2.5cm) away from oven walls.
Browning dish	Follow manufacturer's instructions. The bottom of browning dish must be at least 3/16 inch (5mm) above the turntable. Incorrect usage may cause the turntable to break.
Dinnerware	Microwave-safe only. Follow manufacturer's instructions. Do not use cracked or chipped dishes.
Glass jars	Always remove lid. Use only to heat food until just warm. Most glass jars are not heat resistant and may break.
Glassware	Heat-resistant oven glassware only. Make sure there is no metallic trim. Do not use cracked or chipped dishes.
Oven cooking bags	Follow manufacturer's instructions. Do not close with metal tie. Make slits to allow steam to escape.
Paper plates and cups	Use for short-term cooking/warming only. Do not leave oven unattended while cooking.
Paper towels	Use to cover food for reheating and absorbing fat. Use with supervision for a short-term cooking only.
Parchment paper	Use as a cover to prevent splattering or a wrap for steaming.
Plastic	Microwave-safe only. Follow the manufacturer's instructions. Should be labeled "Microwave Safe". Some plastic containers soften, as the food inside gets hot. "Boiling bags" and tightly closed plastic bags should be slit, pierced or vented as directed by package.
Plastic wrap	Microwave-safe only. Use to cover food during cooking to retain moisture. Do not allow plastic wrap to touch food.
Thermometers	Microwave-safe only (meat and candy thermometers).
Wax paper	Use as a cover to prevent splattering and retain moisture.

Materials to be avoided in microwave oven

Utensils	Remarks
Aluminum tray	May cause arcing. Transfer food into microwave-safe dish.
Food carton with metal handle	May cause arcing. Transfer food into microwave-safe dish.
Metal or metal-trimmed utensils	Metal shields the food from microwave energy. Metal trim may cause arcing.
Metal twist ties	May cause arcing and could cause a fire in the oven.
Paper bags	May cause a fire in the oven.
Plastic foam	Plastic foam may melt or contaminate the liquid inside when exposed to high temperature.
Wood	Wood will dry out when used in the microwave oven and may split or crack.

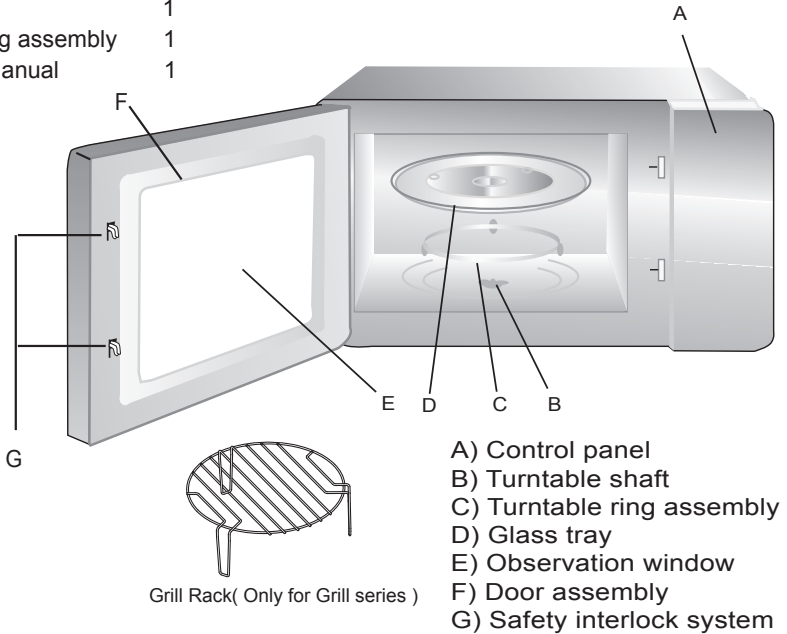
SETTING UP YOUR OVEN

Names of Oven Parts and Accessories

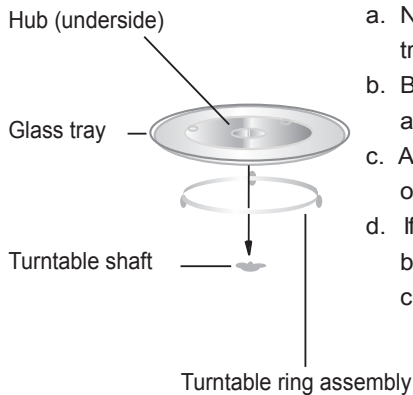
Remove the oven and all materials from the carton and oven cavity.

Your oven comes with the following accessories:

- Glass tray 1
- Turntable ring assembly 1
- Instruction Manual 1



Turntable Installation



- a. Never place the glass tray upside down. The glass tray should never be restricted.
- b. Both glass tray and turntable ring assembly must always be used during cooking.
- c. All food and containers of food are always placed on the glass tray for cooking.
- d. If glass tray or turntable ring assembly cracks or breaks, contact your nearest authorized service center.

Countertop Installation

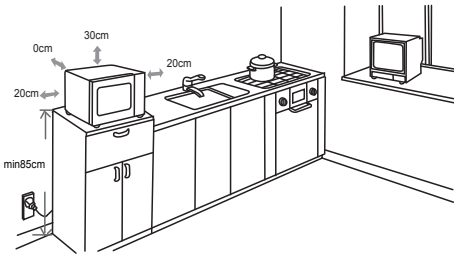
Remove all packing material and accessories. Examine the oven for any damage such as dents or broken door. Do not install if oven is damaged.

Cabinet: Remove any protective film found on the microwave oven cabinet surface.

Do not remove the light brown Mica cover that is attached to the oven cavity to protect the magnetron.

Installation

1. Select a level surface that provide enough open space for the intake and/or outlet vents.



(1) The minimum installation height is 85cm.

(2) The rear surface of appliance shall be placed against a wall.

Leave a minimum clearance of 30cm above the oven, a minimum clearance of 20cm is required between the oven and any adjacent walls.

(3) Do not remove the legs from the bottom of the oven.

(4) Blocking the intake and/or outlet openings can damage the oven.

(5) Place the oven as far away from radios and TV as possible. Operation of microwave oven may cause interference to your radio or TV reception.

2. Plug your oven into a standard household outlet. Be sure the voltage and the frequency is the same as the voltage and the frequency on the rating label.

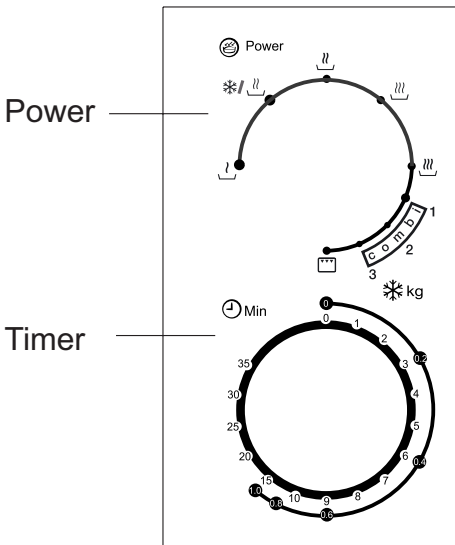
WARNING: Do not install oven over arange cooktop or other heat-producing appliance. If installed near or over a heatsource, the oven could be damaged and the warranty would be void.

The accessible surfacemay be hot during operation.



OPERATION

Control Panel and Features



- 1.To set cooking power by turning the power knob to desired level.
- 2.To set the time of cooking by turning the timer knob to desired time per your food cooking guide.
- 3.The microwave oven will automatically start cooking after Power level and time is set.
- 4.After the cooking time is up ,the unit will "Ding" to stop.
- 5.If the unit is not in use, always set time to "0" .

Function/power	Output (%)	Application
	17% microwave	Keep food temperature, soften ice cream
	33% microwave	Defrost
	55% microwave	Cook cream cake, braise food
	77% microwave	rice, fish and shell-fish, cookies, meat
	100% microwave	Reheat, boil water, cook fresh vegetable, chickens ducks, heat non-milk drink
Combi.1	80% grill + 20% micro	Western steak, pork chop, meat, poultry, etc.
Combi.2	70% grill + 30% micro	Chinese steak, meat, pork chop, etc.
Combi.3	60% grill + 40% micro	Chickens, ducks, meat, make food crispy and tasty
	100% grill	Spit-roasting, smoked fish fillets, potato chips

Trouble shooting

If something does trouble shooting; before seeking assistance carry out the following checks first.

Normal	
Microwave oven interfering TV reception	Radio and TV reception may be interfered when microwave oven operating. It is similar to the interference of small electrical appliances, like mixer, vacuum cleaner, and electric fan. It is normal.
Dim oven light	In low power microwave cooking, oven light may become dim. It is normal.
Steam accumulating on door, hot air out of vents	In cooking, steam may come out of food. Most will get out from vents. But some may accumulate on cool place like oven door. It is normal.
Oven started accidentally with no food in.	It is forbidden to run the unit without any food inside. It is very dangerous.

Trouble	Possible Cause	Remedy
Oven can not be started.	(1) Power cord not plugged in tightly.	Unplug. Then plug again after 10 seconds.
	(2) Fuse blowing or circuit breaker works.	Replace fuse or reset circuit breaker (repaired by professional personnel of our company)
	(3) Trouble with outlet.	Test outlet with other electrical appliances.
Oven does not heat.	(4) Door not closed well.	Close door well.
Glass turntable makes noise when microwave oven operates	(5) Dirty roller rest and oven bottom.	Refer to "Maintenance of Microwave" to clean dirty parts.

CUSTOMER ASSISTANCE SERVICE

If you cannot identify the cause of the operating anomaly: switch off the appliance (do not subject it to rough treatment) and contact the Assistance Service.

PRODUCT SERIAL NUMBER. Where can I find it?

It is important that you to inform the Assistance Service of your product code and its serial number (a 16 character code which begins with the number 3); this can be found on the guarantee certificate or on the data plate located on the appliance.

It will help to avoid wasted journeys to technicians, thereby (and most significantly) saving the corresponding callout charges.



This appliance is marked according to the European directive 2002/96/EC on Waste Electrical and Electronic Equipment (WEEE). By ensuring this product is disposed of correctly, you will help prevent potential negative consequences for the environment and human health, which could otherwise be caused by inappropriate waste handling of this product.

The symbol on the product indicates that this product may not be treated as household waste. Instead it shall be handed over to the applicable collection point for the recycling of electrical and electronic equipment. Disposal must be carried out in accordance with local environmental regulations for waste disposal.

For more detailed information about treatment, recovery and recycling of this product, please contact your local city office, your household waste disposal service or the shop where you purchased the product.



Four à micro-ondes
MANUEL D'INSTRUCTIONS
MODELES: GMF202SI
GMF202WH

Avant d'utiliser le four à micro-ondes lire attentivement ces instructions et les conserver précieusement.

Si vous suivez les instructions décrites ci-après, votre four vous garantira un service excellent pendant de longues années.

CONSERVER CES INSTRUCTIONS AVEC SOIN

PRECAUTIONS AFIN D'EVITER D'EVENTUELLES EXPOSITIONS EXCESSIVES A L'ENERGIE DES MICRO-ONDES.

(a) Ne jamais faire fonctionner le four avec la porte ouverte, ceci pourrait provoquer une exposition dangereuse à l'énergie des micro-ondes. Important: ne pas forcer ou rompre les fermetures de sécurité.

(b) Ne positionner aucun objet entre la partie antérieure du four et la porte, ne pas laisser s'accumuler de résidus de graisse ou de détergents sur les surfaces des joints d'étanchéité.

(c) ATTENTION: Si la porte ou le joint sont endommagés , le four ne doit pas être utilisé tant que la réparation n'a pas été effectuée par une personne compétente.

INDEX

Si l'appareil n'est pas bien nettoyé, la cavité ainsi que les surfaces externes peuvent être endommagée, et peuvent donc réduire la durée de vie de l'appareil et conduire à des situations dangereuses.

Spécificités techniques

Modèles	GMF202SI/GMF202WH
Tension standard de l'appareil	230V~50Hz
Puissance nominale en entrée (Micro-onde)	1270W
Puissance nominale en sortie (Micro-onde)	800 W
Puissance nominale en entrée (Grill)	1000W
Capacité volumétrique du four	20 L
Diamètre du plat tournant	∅ 255mm
Dimensions externes(LxPxH)	440x335x258mm
Poids net	10.7 kg

AVERTISSEMENTS IMPORTANTS POUR VOTRE SECURITE

Afin de diminuer le risque d'incendie, court-circuit, dommages aux personnes ou exposition excessive à l'énergie des micro-ondes durant l'utilisation de l'appareil, nous vous conseillons de suivre les précautions de base suivantes:

1. Attention: Liquides ou autres aliments ne doivent pas être réchauffés dans des flacons fermés hermétiquement car ils sont susceptibles d'exploser.
2. Attention: il est dangereux pour toute personne non habilitée de démonter la couverture de protection prévue pour garantir la protection contre l'exposition à l'énergie à micro-ondes.
3. Cet appareil peut être utilisé par les enfants à partir de 8 ans et par des personnes ayant des capacités physiques, sensorielles ou mentales réduites ou manquant d'expérience et de savoir à condition qu'elles soient accompagnées et disposent des instructions nécessaires à une utilisation sans risque de l'appareil et comprennent les risques encourus. Les enfants ne doivent pas jouer avec l'appareil. Le nettoyage et les travaux de maintenance ne doivent pas être réalisés par des enfants sauf s'ils ont plus de 8 ans et sont accompagnés.
4. Gardez l'appareil et son cordon hors de portée des enfants de moins de 8 ans.
5. Utilisez seulement des ustensiles appropriés pour l'utilisation du four à micro-ondes.
6. Le four doit être nettoyé régulièrement, tout dépôt d'aliment doit être éliminé.
7. Lire et suivre les données spécifiques "Précautions afin d'éviter d'éventuelles expositions excessives à l'énergie des micro-ondes".

8. Quand vous réchauffez des aliments dans un récipient en plastique ou en carton, contrôlez le four en raison du risque d'incendie.
9. Si de la fumée est produite, éteignez ou débranchez l'appareil et gardez sa porte fermée afin d'étouffer d'éventuelles flammes.
10. Ne pas cuire de façon excessive les aliments.
11. Ne jamais utiliser la cavité du four comme récipient. Ne pas laisser de produits comme du pain ou des biscuits à l'intérieur du four.
12. Oter les fermetures en métal ou poignées métalliques des récipients de métal ou de carton avant de les mettre dans le four .
13. Installer et positionner le four selon les instructions fournies pour l'installation.
14. Les œufs durs ou avec leur coquille ne doivent pas être réchauffés dans le four à micro-ondes parce qu'ils sont susceptibles d'exploser n même une fois la cuisson terminée.
15. Cet appareil est destinée à un usage domestique ou analogue, comme :
 - par le personnel dans les coins cuisine des magasins, des bureaux ou de tout autre environnement de travail.
 - par les clients dans les hôtels, motels ou autre environnement résidentiel.
 - dans les fermes.
 - dans les bed and breakfast.
16. Si le cordon d'alimentation fourni est endommagé, il doit être remplacé par le fabricant, son service technique ou par une personne agréée et qualifiée afin d'éviter toute prise de risque.
17. Ne jamais stocker ou utiliser cet appareil à l'extérieur.
18. Ne pas utiliser ce four à proximité d'eau, dans un évier humide ou près d'une piscine.

19. La température des surfaces accessibles pourrait être élevée durant le fonctionnement du four. Tenir le cordon d'alimentation loin de toute source de chaleur et ne couvrir le four en aucun cas.
20. Ne jamais laisser le cordon d'alimentation suspendu sur le bord d'une table ou d'un plan de travail.
21. La non observation des conditions normales d'entretien pourrait endommager les surfaces, causer une réduction de la durée de vie de l'appareil mais aussi provoquer des situations dangereuses.
22. Le contenu des biberons ou pots d'aliments pour bébés doivent être mélangés ou agités et la température de ces derniers doit être contrôlée afin d'éviter toute brûlure.
23. Le réchauffage de boissons par micro-ondes provoquer un processus d'ébullition retardée, par conséquent, faites attention quand vous manipulez un flacon.
24. Ne pas utiliser de nettoyeur vapeur.
25. L'appareil devient chaud lors de son utilisation. Évitez de toucher les parties chaudes à l'intérieur du four.
26. Les parties accessibles peuvent devenir chaudes pendant l'utilisation. Eloignez les jeunes enfants.
27. N'utilisez pas de produits nettoyants abrasifs ou d'éponges métalliques pour nettoyer la porte vitrée du four ; ils peuvent rayer la surface et à force la briser.
28. Cet appareil n'est pas destiné à être utilisé par des personnes (y compris les enfants) dont les capacités physiques, sensorielles ou mentales sont réduites, ou ayant un manque d'expérience et de connaissances, à moins qu'elles n'aient été formées à l'utilisation de l'appareil, par une personne responsable de leur sécurité.

29. Les enfants doivent être surveillés pour s'assurer qu'ils ne jouent pas avec l'appareil.

30. L'appareil n'est pas destiné à fonctionner avec un minuteur externe ou un système de contrôle externe.

31. ATTENTION : L'appareil et ses parties accessibles deviennent chauds pendant l'utilisation. Des précautions doivent être prises pour éviter de toucher les éléments chauffants. Les enfants de moins de 8 ans doivent être tenus à l'écart, à moins qu'ils ne soient surveillés en permanence.

32. S'il y a lieu, la façade décorative du meuble doit être ouverte pendant le fonctionnement du micro-ondes.

33. La surface du meuble peut devenir chaude.

**À LIRE ATTENTIVEMENT ET À CONSERVER POUR
UNE CONSULTATION FUTURE.**

Instructions pour diminuer les risques de blessures

Installation de la prise de terre

DANGER

Danger de décharge électrique

Toucher certains composants internes peut provoquer d'importantes blessures ou la mort. Ne jamais démonter l'appareil.

ATTENTION

Danger de décharge électrique

Une utilisation incorrecte de la prise de terre peut provoquer une décharge électrique. Ne pas connecter au réseau électrique tant que l'appareil n'est pas correctement installé avec l'installation d'une prise de terre.

Pour diminuer les risques de blessures

Branchement de la prise de terre

NETTOYAGE

S'assurer que le four est débranché du réseau électrique.

1. Après utilisation, nettoyer les surfaces internes du four avec un chiffon légèrement humide.
2. Nettoyer correctement les accessoires avec de l'eau savonneuse.
3. Le cadre de la porte, le joint d'étanchéité et les parties connexes doivent être nettoyés si besoin, avec de l'eau savonneuse. Cet appareil électroménager doit être relié à la prise de terre. En cas de court-circuit électrique, la terre diminue le risque de décharge électrique fournissant une voie de sortie au courant électrique. Cet appareil est fourni avec un cordon d'alimentation doté d'un fil de terre et d'une fiche de branchement avec terre. La fiche doit être insérée

dans une prise de courant correctement installée et donc dotée d'une liaison avec la terre. Contactez un électricien qualifié si vous ne compreniez pas correctement les instructions pour la mise à la terre ou au cas où vous auriez un doute sur l'exactitude de la connexion à la terre de l'appareil . Au cas où il serait nécessaire d'utiliser une rallonge, utiliser uniquement une rallonge à trois sorties comprenant une fiche bipolaire avec cannelure pour la mise à la terre ainsi que 2 contacts pour la mise à la terre. Une fiche bipolaire munie d'un contact pour la terre est appropriée pour la prise du four. Le cordon électrique fourni avec l'appareil est délibérément court afin de diminuer le risque de trébucher ou de l'arracher de la prise, risques possibles avec un fil plus long.

1) La tension nominale indiquée sur le cordon ou sur la rallonge doit être au minimum équivalente à la tension nominale de l'appareil.

2) La rallonge doit être un fil à trois sorties avec mise à la terre.

3) Le cordon d'alimentation long doit être mis de façon à ne pas pendre du plan de travail ou de la table, doit être éloigné de la portée des enfants qui pourraient le tirer ou trébucher de façon impromptue.

Astuce de nettoyage : pour faciliter le nettoyage des parois de la cavité qui peuvent être en contact avec la nourriture : Mettre le jus d'un demi citron dans un plat adapté, ajoutez 300 ml d'eau et chauffez à puissance maximale (100%) pendant 10 minutes.

Essuyez le four à l'aide d'un chiffon doux et sec.

Fiche Schuco

USTENSILES

ATTENTION

Risque de dégâts ou blessures

Il est dangereux d'effectuer, sans compétence spécifique, des réparations ou opérations d'entretien prévoyant le démontage du couvercle prévu pour garantir la protection à l'exposition de l'énergie à micro-ondes.

Se référer aux instructions du paragraphe "Matériaux qui peuvent être utilisés dans le four à micro-ondes ou qui doivent être évités dans le four à micro-ondes."

Certains ustensiles non métalliques peuvent être non appropriés pour l'utilisation du four à micro-ondes. En cas de doute, il est possible d'essayer l'ustensile en question suivant la procédure suivante.

Test des ustensiles:

1. Remplir un récipient spécial pour micro-ondes avec une tasse d'eau froide (250 ml) et y mettre l'ustensile en question .
2. Cuire à température maximale durant 1 minute.
3. Toucher avec précaution l'ustensile. Si l'ustensile vide est chaud, ne pas l'utiliser pour la cuisson à micro-ondes .
4. **Ne jamais dépasser le temps de cuisson d'une minute.**

Matériaux qui peuvent être utilisés dans le four à micro-ondes

Pellicule en aluminium	Seulement comme protection. De petits morceaux lisses peuvent être utilisés pour couvrir des parties fines de viande ou volaille afin d'éviter une cuisson excessive . Il peut se former un arc si la pellicule est trop près de la paroi du four. La pellicule doit être positionnée à une distance minimum de 1 pouce (2,5 cm) des parois du four.
Récipients en terre cuite	Suivre les instructions du producteur. Le fonds du récipient en terre cuite doit être positionné à au moins 3/16 de pouce (5mm) au dessous du plat tournant. Une utilisation incorrecte pourrait provoquer la rupture du plat tournant.
Assiettes de table	Seulement celles appropriées pour l'utilisation dans un four à micro-ondes. Suivre les instructions du producteur. Ne pas utiliser des plats cassés ou ébréchés.
Flacons en verre	Oter toujours le couvercle. Utiliser seulement pour réchauffer les aliments jusqu'à tant qu'ils soient chauds. Certains récipients en verre ne sont pas résistants à la chaleur et pourraient donc se casser.
Produits en verre	Utiliser seulement des produits en verre résistants à la chaleur et appropriés pour l'utilisation au four. S'assurer qu'ils ne comportent pas des bords en métal. Ne pas utiliser des plats cassés ou ébréchés.
Sachets pour la cuisson au four	Suivre les instructions du producteur. Ne pas fermer avec des fermetures métalliques. Faire des entailles pour laisser s'échapper la vapeur .
Tasses et plats en plastique	Cuire ou réchauffer pour des temps très courts. Ne pas s'éloigner du four durant la cuisson.

Serviettes en papier	Utiliser pour couvrir les aliments pendant le réchauffement afin d'absorber la graisse éventuelle. Utiliser et contrôler seulement pour des temps de cuisson brefs.
Papier sulfurisé	Utiliser comme couverture pour prévenir éclaboussures ou pour couvrir la vapeur .
Plastique	Seulement plastique appropriée pour le four à micro-ondes. Suivre les instructions du producteur. Doit être indiquée "compatible pour micro-ondes". Certains récipients en plastique ramollissent quand les aliments réchauffent. Les sacs et sachets pour la cuisson et sacs en plastique fermés hermétiquement doivent être troués comme indiqué sur l'emballage même
Pellicule transparente	Seulement celle appropriée pour l'utilisation au four à micro-ondes. L'utiliser pour couvrir les aliments durant la cuisson afin de maintenir l'humidité. S'assurer que la pellicule transparente n'entre pas en contact avec les aliments.
Thermomètres	Seuls ceux appropriés pour l'utilisation des fours à micro-ondes (thermomètres pour viandes et gâteaux).
Papier oléagineux	Utiliser pour couvrir les aliments et prévenir les débordements et maintenir l'humidité. .

Matériaux à éviter dans les fours à micro-ondes

Barquettes en aluminium	Peut provoquer la formation d'un arc. Transvaser les aliments dans des plats appropriés pour l'utilisation en fours à micro-ondes.
Récipients pour aliments en carton avec poignée en métal	Peut provoquer la formation d'un arc. Transvaser les aliments dans des plats appropriés pour l'utilisation au four à micro-ondes..
Ustensiles en métal	Le métal protège les aliments de l'énergie à micro-ondes. Le métal peut provoquer la formation d'un arc .
Fermetures en métal	Peut provoquer la formation d'un arc et pourrait causer un incendie à l'intérieur du four.
Sachets en papier	Pourrait provoquer un incendie à l'intérieur du four.
Récipients en polystyrène ou polyuréthane	Les récipients pourraient fondre ou contaminer le liquide contenu lorsqu'ils sont exposés à de hautes températures.
Bois	Le bois sèche quand il est utilisé dans les fours à micro-ondes et pourrait casser ou se fendre.

INSTALLER VOTRE FOUR

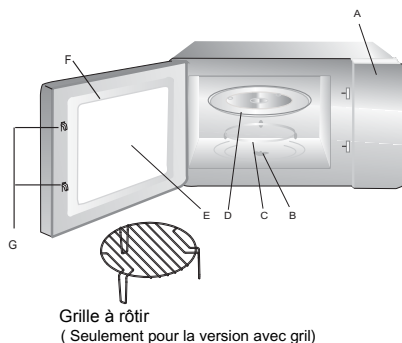
Noms des composants et des accessoires du four

Extraire le four de l'emballage ainsi que les accessoires qui se trouvent à l'intérieur du four.

Le four est fourni avec les accessoires suivants :

- 1 Plateau tournant en verre
- 1 Ensemble anneau rotatif
- 1 Manuel d'instructions

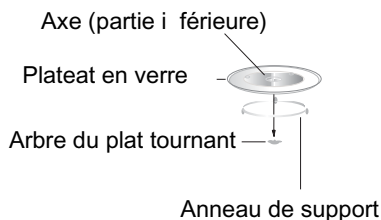
- A) Panneau de commandes
- B) Axe du plateau tournant
- C) Anneau de support
- D) Plateau en verre
- E) Fenêtre d'observation
- F) Porte
- G) Système fermeture de sécurité



Attention: ne pas utiliser la grille métallique en mode micro-ondes ! Cette grille est prévue pour le mode Gril.

Eteindre le four si la porte reste ouverte durant le fonctionnement.

Installation du plat tournant



- a. Ne jamais positionner le plateau en verre à l'envers. Le plateau en verre ne doit jamais être bloqué.
- b. Le plateau en verre et l'anneau de support doivent toujours être utilisés durant la cuisson
- c. Les aliments et récipients doivent toujours être positionnés sur le plat en verre durant la cuisson.
- d. Si le plateau en verre ou l'ensemble anneau de support/plateau tournant devaient se fissurer ou se casser, contacter le centre d'assistance le plus proche.

Installation du plan de travail

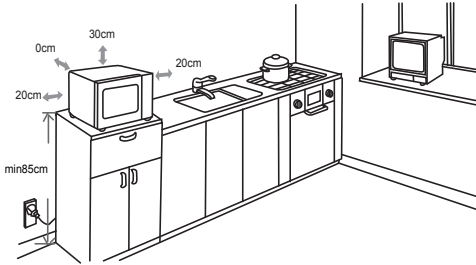
Otez le four de l'emballage ainsi que tous les accessoires . Examiner le four afin de vérifier qu'il n'est pas endommagé ou que la porte n'est pas abîmée. Ne pas installer le four s'il est endommagé.

Partie intérieure: Enlever toutes les pellicules de protection présentes sur les surfaces de la partie intérieure du four à micro-ondes.

Ne pas enlever la fine pellicule marron claire collée sur la cavité du four, elle est prévue pour protéger le magnétron.

Installation

1. Choisir une surface plane offrant un espace suffisant pour l'aération en entrée et en sortie.



Un espace minimum de 7.9 pouces (20cm) est obligatoire entre le four et toute autre paroi adjacente.

Un côté doit toujours être laissé ouvert.

(1) Laisser un espace minimum de 12 pouces (30cm) au-dessus du four.

(2) Ne pas enlever les pieds de la partie antérieure.

(3) Le blocage des ouvertures en entrée et/ou en sortie pourrait endommager le four.

(4) Positionner le four le plus loin possible de la radio ou de la télévision. Le fonctionnement du four à micro-ondes peut causer des interférences dans la réception de radio ou télévision.

2. Brancher le four à la prise de courant standard. S'assurer que le voltage et la fréquence soient égales au voltage et à la fréquence indiqués sur la plaque d'indication des valeurs nominales.

ATTENTION: Ne pas installer le four sur une cuisinière ou autre appareils électroménagers qui produisent de la chaleur. Si le four est installé près d'une source de chaleur, le four pourrait s'endommager et la garantie ne serait alors plus valable.

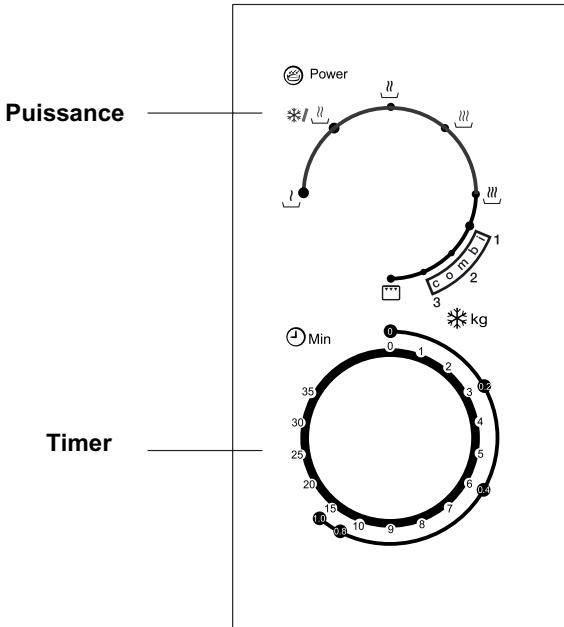
La surface accessible pourrait être chaude durant le fonctionnement.



MODE D'EMPLOI

Panneau de commandes et caractéristiques

1. Choisir le niveau de puissance en tournant le bouton.
2. Choisir le temps de cuisson selon indications en tournant le bouton.
3. L'appareil se met en marche automatiquement après avoir choisi le niveau de puissance et le temps.
4. Une fois le temps programmé écoulé, l'appareil s'arrête et émet un signal acoustique.
5. Régler le temps sur "0" lorsque l'appareil n'est pas utilisé



Fonction	Puissance (%)	Conseiller pour
1	17% micro-ondes	Maintenir la température des aliments, ramollir la crème glacée
2	33% micro-ondes	Décongélation
3	55% micro-ondes	Cuire un gâteau, mijoter des aliments préalablement braisés
4	77% micro-ondes	Riz, poisson, biscuits, viande
5	100% micro-ondes	Réchauffer, bouillir eau, légumes frais, volaille, réchauffer boissons (sans lait)
Combi.1	80% gril + 20% micro	Bifteck, côtelette de porc, viande, volaille, etc.
Combi.2	70% gril + 30% micro	Bifteck Chinoise, viande, côtelette de porc, etc.
Combi.3	60% gril + 40% micro	Volaille, viande, rendre les aliments croustillants et savoureux
Grill	100% gril	Tournebroche, filets de poisson fumé, pommes frites

Dépannage

Si vous avez besoin d'un dépannage, avant de contacter l'assistance, essayez de vérifier les choses suivantes.

NORMALE	
Interférence du four à micro-ondes sur la réception de la télévision	Des interférences peuvent perturber la réception de la radio ou de la télévision lorsque le four est en fonctionnement. Il s'agit d'un phénomène courant avec d'autres appareils électroménagers, tels que aspirateurs, ventilateurs électriques. Il s'agit de phénomène normal.
Faible éclairage	Durant la cuisson au micro-ondes à basse pression, la lumière du four peut diminuer. Il s'agit d'un phénomène normal.
De la vapeur s'accumule sur la porte, de l'air chaud sort des orifices d'aération	Durant la cuisson, de la vapeur peut s'échapper des aliments. Une bonne partie de cette vapeur est évacuée par les orifices d'aération. Le reste de la vapeur peut s'accumuler sur les surfaces froides, telles la porte du four. Ceci est normal.
Le four est accidentellement allumé sans présence d'aliments à l'intérieur	Le fonctionnement du four pendant de brèves périodes sans présence d'aliments à l'intérieur n'endommage pas le four. Cette situation doit être évitée le plus possible.

Problème	Cause possible	Solution
Le four ne s'allume pas	Le cordon d'alimentation n'est pas correctement inséré dans la prise de courant	Débrancher la fiche de la prise, rebrancher après 10 secondes
	Le fusible saute ou coupe le compteur general	Changer le fusible ou réparer l'interrupteur du compteur general (la réparation doit être effectuée par du personnel qualifié)
	Problèmes en sortie	Vérifier la sortie avec un autre appareil électroménager
Le four ne réchauffe pas	La porte n'est pas correctement fermée	Bien fermer la porte
Le plat en verre fait du bruit pendant le fonctionnement du four	Les roulements sont sales et présence de résidus sur le fond du four	Se référer au paragraphe "entretien du micro-ondes" pour nettoyer les surfaces sales.

SERVICE D'ASSISTANCE CLIENT Si vous ne pouvez pas identifier la cause de l'anomalie de fonctionnement : éteignez l'appareil (ne lui faites pas subir de mauvais traitement) et contactez le service d'assistance. **NUMERO DE SERIE DU PRODUIT** Où puis-je le trouver ? Il est important que vous fournissiez au service d'assistance le code et le numéro de série (un numéro à 16 chiffres qui commence par le numéro 3) de votre produit. Vous pouvez le trouver sur le certificat de garantie ou sur la plaque signalétique située sur l'appareil. Cela aidera les techniciens à éviter des déplacements pour rien, permettant ainsi (et surtout) d'économiser les frais d'intervention correspondants.



Cet appareil est en conformité avec la directive européenne 2002/96/EC relative aux déchets d'équipements électriques et électroniques (WEEE). En vous assurant que ce produit est détruit correctement, vous aiderez à empêcher des conséquences négatives potentielles pour l'environnement et la santé humaine, que pourraient dans le cas contraire causer une gestion des déchets inappropriée à ce produit. Le symbole sur le produit indique qu'il ne peut pas être traité comme déchet domestique. Au contraire il devrait être apporté au point de ramassage le plus proche pour le recyclage des équipements électrique et électronique. L'élimination doit se faire conformément aux réglementations locales pour la gestion des ordures. Pour plus d'informations sur le traitement, la récupération et le recyclage de ce produit, merci de contacter votre administration locale, le service de ramassage des déchets de votre habitation ou le magasin où vous avez acheté ce produit.



Forno a microonde

MANUALE DI ISTRUZIONI

**MODELLI: GMF202SI
GMF202WH**

Leggere attentamente queste istruzioni prima dell'utilizzo del forno a microonde e conservarle con cura.

Se seguirete le istruzioni qui contenute, il vostro forno vi garantirà un servizio eccellente per molti anni.

CONSERVARE QUESTE ISTRUZIONI CON CURA

PRECAUZIONI PER EVITARE LA POSSIBILE ESPOSIZIONE A UN'ENERGIA ECCESSIVA DEL MICROONDE

(a) Non utilizzare il forno a microonde quando lo sportello è aperto perché ciò potrebbe comportare il rischio di esposizione all'energia prodotta dal forno stesso, con il conseguente rischio di danni per la salute. Non rompere o manomettere gli interblocchi di sicurezza.

(b) Non collocare alcun oggetto tra il lato anteriore del forno e lo sportello e rimuovere sempre tutto lo sporco e i residui di soluzioni detergenti dalle superfici di tenuta.

(c) **AVVERTENZA:** se lo sportello è aperto o le tenute sono danneggiate, non utilizzare il forno a microonde e farlo riparare da una persona competente.

AGGIUNTA

La mancata pulizia del forno a microonde potrebbe deteriorare le sue superfici, ridurre la vita utile del forno stesso e dar luogo a situazioni pericolose.

Specifiche tecniche

Modelli	GMF202SI/GMF202WH
Tensione nominale	230V~50Hz
Potenza nominale in ingresso (Microonde)	1270 W
Potenza nominale in uscita (Microonde)	800 W
Potenza nominale in ingresso (Grill)	1000 W
Capacità del forno	20 L
Diametro del piatto rotante	∅ 255 mm
Dimensioni esterne(LxPxH)	440x 335 x 258 mm
Peso netto	10.7 kg

ISTRUZIONI IMPORTANTI PER LA SICUREZZA

AVVERTENZA

Per limitare il rischio di scosse elettriche, lesioni personali o di un'esposizione a un'energia eccessiva del microonde, attenersi alle seguenti precauzioni di base durante l'uso del forno:

1. Avvertenza: non riscaldare liquidi e altri alimenti in contenitori chiusi poiché potrebbero esplodere.
2. Avvertenza: la copertura che protegge dall'esposizione all'energia prodotta dal forno a microonde deve essere rimossa solo da persone competenti.
3. Avvertenza: non permettere ai bambini di usare il forno senza la supervisione di un adulto se non sono state fornite loro istruzioni adeguate in modo che sappiano come usarlo in modo sicuro e siano consapevoli dei possibili rischi risultanti da un uso improprio.
4. Avvertenza: in modalità Combi, l'uso del forno è consentito ai bambini solo sotto la supervisione di un adulto a causa delle temperature alte prodotte in questa modalità (solo per i modelli muniti di grill).
5. Utilizzare solo utensili compatibili con i forni a microonde.
6. Pulire regolarmente il forno e rimuovere tutti i depositi di cibo.
7. Leggere e attenersi a quanto indicato nella sezione "PRECAUZIONI PER EVITARE LA POSSIBILE ESPOSIZIONE A UN'ECESSIVA ENERGIA DEL MICROONDE".
8. Durante il riscaldamento di alimenti contenuti in vaschette in plastica o carta, controllare il forno perché è possibile che i contenitori si incendino.

9. Se si nota la presenza di fumo, spegnere il forno o scollegarlo dall'alimentazione elettrica e chiudere lo sportello per impedire alle fiamme di propagarsi.
10. Non riscaldare eccessivamente gli alimenti.
11. Non utilizzare la cavità per conservare gli alimenti. Non conservare alimenti come pane, biscotti, ecc., all'interno del forno.
12. Rimuovere sempre i laccetti di chiusura e le impugnature in metallo dai sacchetti in carta o plastica prima di inserirli nel forno.
13. Installare e posizionare il forno solo in conformità a quanto indicato nelle istruzioni di installazione.
14. Non riscaldare uova racchiuse nel guscio o bollite per lunghi periodi di tempo nel microonde poiché potrebbero esplodere anche dopo il termine della cottura.
15. Utilizzare il forno solo per l'uso previsto e in conformità a quanto indicato in questo manuale. Non usare sostanze chimiche o vapori che potrebbero corrodere il forno. Questo forno è espressamente progettato per il riscaldamento di alimenti. Non è indicato per essere usato per applicazioni industriali o di laboratorio.
16. Se il cavo di alimentazione è danneggiato, deve essere sostituito dal costruttore, da un rappresentante o da una persona con analogha qualifica per evitare danni.
17. Non conservare o utilizzare il forno in ambienti aperti.
18. Non utilizzare il forno in presenza di acqua, in cantine umide o vicino a piscine.
19. La temperatura delle superfici esterne potrebbe raggiungere valori molto alti quando il forno è in uso. Le superfici si riscaldano durante l'uso. Tenere il cavo di alimentazione lontano dalle superfici calde e non coprire nessuna delle aperture di ventilazione.

20. Non lasciare pendere il cavo di alimentazione dal bordo di un tavolo o banco.
21. La mancata pulizia regolare del forno potrebbe deteriorare le superfici, ridurre la vita utile del forno e causare situazioni pericolose.
22. Per evitare possibili ustioni, mescolare e agitare il contenuto di biberon e barattoli contenenti alimenti per neonati.
23. Il riscaldamento di bibite con il forno a microonde potrebbe provocare un'ebollizione ritardata. Manipolare il contenitore con estrema cautela.
24. Questo apparecchio non deve essere utilizzata da persone (bambini inclusi) con ridotte capacità fisiche, sensoriali o mentali o senza esperienza e sufficiente conoscenza del suo utilizzo, a meno che ciò avvenga sotto la supervisione di una persona responsabile della loro sicurezza o siano state date istruzioni relative al suo utilizzo.
25. Verificare sempre che i bambini non giochino con la piastra.
26. Le unità non sono progettate per essere comandate mediante l'utilizzo di un timer esterno o un telecomando dedicato.
27. **AVVERTENZA:** per evitare possibili scosse elettriche, verificare che l'unità sia spenta prima di sostituire la lampadina.
28. Le parti accessibili potrebbe riscaldarsi durante l'uso. Evitare che i bambini possano avvicinarsi. Non utilizzare sistemi di pulizia a vapore.
29. Non utilizzare detergenti aggressivi o raschietti in metallo appuntiti per pulire il vetro dello sportello perché potrebbero graffiare le superfici e scheggiare il vetro.
30. Il forno si riscalda durante l'uso. Fare attenzione a non toccare le resistenze all'interno del forno.

31. Utilizzare solo la sonda di temperatura consigliata per questo forno (per i modelli muniti di sonda di rilevamento della temperatura).
32. Posizionare la superficie posteriore contro il muro.
33. Questo apparecchio può essere utilizzato da bambini di età superiore agli 8 anni, da persone con ridotte capacità sensoriali o mentali o con poca esperienza che siano stati istruiti in merito all'uso dell'apparecchio in sicurezza e che siano consapevoli dei relativi rischi. I bambini non devono giocare con l'apparecchio né eseguire operazioni di pulizia e manutenzione senza la supervisione di un adulto.
34. Tenere l'apparecchio e il cavo fuori dalla portata di bambini al di sotto degli 8 anni.
35. In caso di emissione di fumo, disattivare o scollegare l'apparecchio e tenere la porta chiusa al fine di fermare eventuali fiamme
36. L'apparecchio è destinato all'uso domestico e trova le seguenti applicazioni:
- personale di cucina all'interno di negozi, uffici e altri ambienti lavorativi;
 - clienti di hotel, motel e altri ambienti abitativi;
 - Agriturismi;
 - bed and breakfast.
37. **ATTENZIONE:** l'apparecchio e le sue parti visibili si surriscaldano durante l'uso. Evitare accuratamente di toccare gli elementi incandescenti. Evitare l'uso da parte di bambini al di sotto degli 8 anni se non sotto la supervisione continua da parte di un adulto.
38. durante l'uso del forno a microonde lo sportello decorativo deve restare aperto (per modelli con uno sportello decorativo.)
39. Non pulire con l'uso del vapore.
40. la superficie di un cassetto può surriscaldarsi.
41. Non usare detergenti abrasivi acidi o spugnette abrasive di metallo per pulire lo sportello di vetro del forno poiché possono scheggiare la superficie e portare alla frantumazione del vetro.

LEGGERE ATTENTAMENTE E CONSERVARE

Per ridurre il rischio di lesioni alle persone Collegamento del forno a microonde a terra

PERICOLO

Pericolo di scariche elettriche
Il contatto con alcuni componenti interni può causare lesioni personali gravi o la morte. Non smontare l'unità.

AVVERTENZA

Rischio di scosse elettriche
Un uso improprio del collegamento di terra può causare scosse elettriche. Collegare l'unità alla presa elettrica solo dopo che è stata installata e correttamente collegata a terra.

PULIZIA

Scollegare sempre l'unità dall'alimentazione elettrica.

1. Pulire l'interno del forno a microonde dopo l'uso con un panno leggermente inumidito.
2. Pulire gli accessori seguendo la normale procedura e utilizzando acqua e sapone.

3. Pulire a fondo il telaio dello sportello e i componenti vicini con un panno inumidito se sporchi.

L'unità deve essere dotata di messa a terra. In caso di cortocircuito, la messa a terra limita il rischio di scosse elettriche poiché fornisce un percorso per la dissipazione della corrente elettrica. Questo forno viene fornito con un cavo dotato di un filo e una spina di messa a terra. Deve essere collegato a una presa a muro correttamente installata e dotata di idonea messa a terra. Rivolgersi a un elettricista o a un tecnico qualificato se le istruzioni per la messa a terra non sono chiare o se si sospetta che l'unità non sia stata correttamente collegata a terra. Se si rende necessario utilizzare un cavo di prolunga, utilizzare solo con un cavo con 3 fili.

1. Insieme all'unità viene fornito solo un cavo di alimentazione corto per limitare al minimo il rischio di rimanere intrappolati o di inciampare.
2. Nel caso si utilizzi un cavo di alimentazione lungo o un cavo di prolunga:
 - 1) Verificare che le caratteristiche elettriche del set di cavi o del cavo di prolunga corrispondano o siano superiori a quelle dell'unità.
 - 2) Verificare che il cavo di prolunga sia un cavo di messa a terra con 3 fili.
 - 3) Disporre il cavo lungo in modo che non penda dal bancone o dal tavolo e possa quindi essere tirato da bambini o sia accidentalmente di intralcio.

UTENSILI

ATTENZIONE

Rischio di lesioni per il personale

E' da considerarsi pericoloso per chiunque non abbia una specifica competenza effettuare riparazioni o manutenzioni che prevedano la rimozione di un coperchio che garantisca una protezione dall'esposizione all'energia a microonde.

Fare riferimento alle istruzioni al paragrafo "Materiali che possono essere utilizzati nel forno a microonde o che devono essere evitati nel forno a microonde."

Potrebbero esserci utensili non metallici non idonei per utilizzo nel forno a microonde. In caso di dubbio, è possibile provare l'utensile in questione seguendo la seguente procedura.

Test degli utensili:

1. Riempire un contenitore idoneo per utilizzo nel forno a microonde con una tazza di acqua fredda (250 ml) e con l'utensile in questione.
2. Cuocere alla massima temperature per 1 minuto.
3. Cautamente toccare l'utensile. Se l'utensile vuoto è caldo, non utilizzatelo per cotture a microonde.
4. **Non superare il tempo di cottura di 1 minuto.**

Materiali che possono essere utilizzati nel forno a microonde

Pellicola di alluminio	Solo per protezione. Piccoli pezzi lisci possono essere utilizzati per coprire parti sottili di carne o pollame per prevenire una cottura eccessiva. E' possibile che si verifichi la formazione di arco se la pellicola è troppo vicina alle pareti del forno. La pellicola dovrebbe essere posizionata ad una distanza minima di 1 pollice (2,5 cm) dalle pareti del forno.
Contenitori in terracotta	Seguire le istruzioni del produttore. Il fondo di un contenitore in terracotta deve essere posizionato almeno 3/16 di pollice (5mm) sopra il piatto rotante. Un utilizzo non corretto potrebbe causare la rottura del piatto rotante.
Piatti da tavola	Solo quelli idonei per utilizzo in forni a microonde. Seguire le istruzioni del produttore. Non utilizzare piatti rotti o sbeccati.
Vasi in vetro	Rimuovere sempre il coperchio. Utilizzare solo per scaldare il cibo solo sino a quando sarà caldo. Molti vasi in vetro non sono resistenti al calore e potrebbero rompersi.
Prodotti in vetro	Utilizzare solo prodotti in vetro resistenti al calore e idonei per utilizzo in forno, Assicuratevi che non vi siano bordi in metallo. Non utilizzare piatti rotti o sbeccati.
Borse per cottura in forno	Seguire le istruzioni del produttore. Non chiudere con chiusure metalliche. Praticare dei tagli per consentire la fuoriuscita di vapore.
Tazze e piatti di carta	Utilizzare per brevi periodi unicamente per cuocere/scaldare. Non lasciare il forno incustodito durante la cottura.

Tovaglioli di carta	Utilizzare per coprire il cibo durante il riscaldamento per assorbire eventuale grasso. Utilizzare, controllando, solo per cotture brevi.
Carta uso pergamena	Utilizzare come copertura per prevenire schizzi o come copertura per il vapore.
Plastica	Solo quella idonea per utilizzo in forni a microonde. Seguire le istruzioni del produttore. Dovrebbe essere marcata "Idonea per microonde". Alcuni contenitori in plastica si ammorbidiscono quando il cibo in essi contenuto si scalda. Sacchetti per la cottura e borse in plastica chiuse ermeticamente dovrebbero essere tagliate o forate come indicato sull'imballo stesso.
Pellicola in plastica	Solo quella idonea a utilizzo in forni a microonde. Utilizzare per coprire il cibo durante la cottura per mantenere l'umidità. Assicurarsi che la pellicola in plastica non entri in contatto con il cibo.
Termometri	Solo quelli idonei per utilizzo con forni a microonde (termometri per carne e per dolci).
Carta oleata	Utilizzare per coprire il cibo per prevenire schizzi e mantenere l'umidità.

Materiali da evitare nei forni a microonde

Vassoi in alluminio	Può causare la formazione di arco. Trasferire il cibo in piatti idonei per utilizzo in forni a microonde.
Contenitori per alimenti in cartone con maniglie in metallo	Può causare la formazione di arco. Trasferire il cibo in piatti idonei per utilizzo in forni a microonde.
Utensili in metallo o	Il metallo protegge il cibo dall'energia a microonde. Il metallo può causare la formazione di arco.
Chiusure in metallo	Può causare la formazione di arco e potrebbe causare un incendio all'interno del forno.
Sacchetti di carta	Potrebbe causare un incendio all'interno del forno.
Contenitori in polistirene o poliuretano	I contenitori potrebbero sciogliersi o contaminare il liquido interno quando esposti ad alte temperature.
Legno	Il legno si asciuga quando utilizzato in forni a microonde e potrebbe dividersi o rompersi.

INSTALLARE IL VOSTRO FORNO

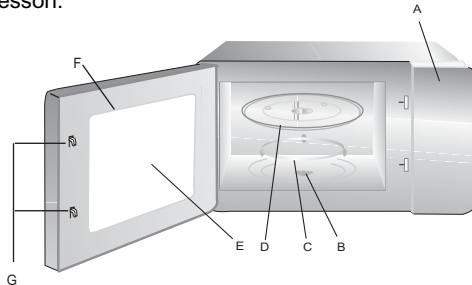
Nomi dei componenti e degli accessori del forno

Estrarre il forno e tutti i materiali dall'imballo e dalla cavità del forno.

Il forno è fornito con i seguenti accessori:

- 1 Piatto girevole in vetro
- 1 Insieme anello rotante
- 1 Manuale di istruzioni

- A) Pannello di controllo
- B) Albero del piatto rotante
- C) Anello di supporto
- D) Piatto in vetro
- E) Finestra di osservazione
- F) Porta
- G) Sistema di bloccaggio di sicurezza

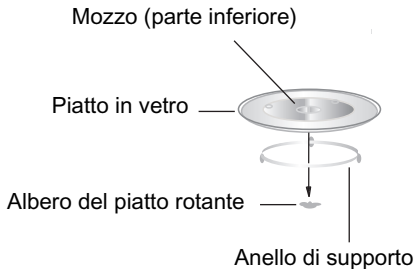


Grill (Solo per la serie con Grill)

Attenzione: non utilizzare la griglia metallica nel modello a microonde. Rimuoverla sempre quando si utilizza la funzione microonde!

Spegnere il forno se la porta rimane aperta durante il funzionamento.

Installazione del piatto rotante



- a. Non posizionate mai il piatto in vetro al contrario. Il piatto in vetro non dovrebbe mai essere vincolato.
- b. Sia il piatto in vetro, sia l'anello di supporto devono sempre essere utilizzati durante la cottura.
- c. Il cibo e i contenitori devono sempre essere posizionati sul piatto in vetro per la cottura.
- d. Se il piatto in vetro o l'insieme anello piatto rotante dovessero incrinarsi o rompersi, contattate il centro di assistenza più vicino.

Installazione del piano di lavoro

Rimuovere tutto il materiale di imballo e gli accessori. Esaminare il forno per verificare che non vi siano danni quali ammaccature o danni alla porta. Non installare il forno se danneggiato.

Parte interna: Rimuovere tutte le pellicole protettive presenti sulle superfici della parte interna del forno a microonde.

Non rimuovere il sottile rivestimento marrone chiaro attaccato alla cavità del forno per proteggere il magnetron.

Informazioni importanti per l'installazione

1. Questo elettrodomestico è destinato al solo uso domestico.
2. Questo forno è da incasso e può essere installato solo come tale. Non può essere usato sistemato su un ripiano o dentro un mobile non idoneo.
3. Seguire le istruzioni specifiche per l'installazione.
4. L'elettrodomestico può essere installato in un mobile installato a muro largo 60 cm (profondità minima: 55cm; altezza minima: 85 cm).
5. Il forno è munito di spina e deve essere collegato solo ad una presa adeguatamente installata e collegata a terra.
6. La tensione di alimentazione deve corrispondere alla tensione indicata sulla targhetta delle specifiche.
7. Solo un elettricista qualificato può installare la presa e sostituire il cavo di collegamento. Se dopo aver incassato il prodotto la spina non è più accessibile, sul lato dell'installazione deve essere presente un interruttore isolante onnipolare con una distanza fra i contatti di almeno 3mm.
8. Non utilizzare adattatori, prese a più uscite e prolunghe. Un eventuale sovraccarico può provocare rischio di incendio.

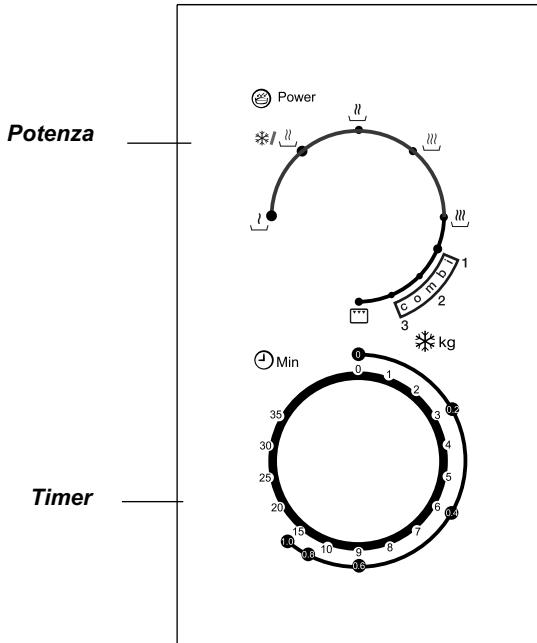
La superficie accessibile potrebbe essere calda nel corso del funzionamento.



Istruzioni per l'uso

Pannello di controllo

1. Ruotate la manopola di selezione della potenza/tipo di cottura per scegliere il livello di potenza ed il tipo di cottura desiderato.
2. Ruotate la manopola del timer per selezionare il tempo di cottura desiderato.
3. Dopo aver selezionato il livello di potenza e il tempo di cottura, il forno comincerà automaticamente la cottura impostata.
4. Alla fine del tempo desiderato di cottura, il forno si fermerà e vi avviserà con un segnale acustico.
5. Se il forno non è in uso, riportate sempre la manopola timer su "0"



Funzione/Potenza	Potenza (%)	Adatto per
	17% microonde	Mantenere in caldo il cibo, ammorbidire il gelato
	33% microonde	Scongelare
	55% microonde	Brasati, torte
	77% microonde	Riso, carne, pesce, biscotti
	100% microonde	Riscaldare, bollire l'acqua, cuocere verdure, pollo, selvaggina
	100% grill	Arrosti, pesci affumicati, patatine
Combi.1	80% grill + 20% micro	Bistecche, carni bianche
Combi.2	70% grill + 30% micro	Carni rosse, bracirole di maiale
Combi.3	60% grill + 40% micro	Rendere il cibo più croccante

ATTENZIONE : Quando rimuovete il cibo dal forno, assicurarsi che il forno sia spento posizionando la manopola del timer su 0 (zero). Se il forno non viene spento, ma continua a funzionare senza cibo all'interno, si surriscalderà con conseguente danneggiamento del magnetron.

Ricerca dei problemi

Se si verifica un guasto, prima di chiamare l'assistenza, effettuare le seguenti verifiche.

NORMALE	
Interferenza del forno a microonde con la ricezione televisiva	E' possibile che vi siano interferenze con la ricezione di radio o televisione nel corso del funzionamento del forno a microonde. Si tratta di un fenomeno simile a quello possibile con altri piccoli elettrodomestici, quali miscelatori, aspirapolvere, ventilatori elettrici. Si tratta di una condizione normale.
Luce affievolita	Nel corso di cotture a microonde a bassa pressione, la luce del forno può affievolirsi. Si tratta di una condizione normale.
Si accumula del vapore sulla porta, esce aria calda dalle aperture di sfiato	Nel corso della cottura, è possibile che del vapore fuoriesca dal cibo. Buona parte di questo vapore viene espulso dalle aperture di sfiato. Ma parte del vapore potrebbe accumularsi sulle superfici fredde, quali per esempio la porta del forno. Si tratta di una condizione normale.
Il forno viene acceso accidentalmente senza che vi sia del cibo all'interno dello stesso	Il funzionamento per periodi limitati del forno senza che al proprio interno vi sia del cibo non crea alcun danno al forno stesso. Questa condizione, però, dovrebbe essere evitata.

Problema	Possibile causa	Rimedio
Il forno non si accende	Il cavo di alimentazione non è inserito correttamente nella presa di corrente	Staccare la spina dalla presa, quindi ricollegare dopo 10 secondi
	Il fusibile salta o entra in funzione l'interruttore automatico	Sostituire il fusibile o ripristinare l'interruttore automatico (riparato da personale qualificato della nostra società)
	Problemi con l'uscita	Verificare l'uscita con un altro elettrodomestico
Il forno non scalda	La porta non è chiusa correttamente	Chiudere bene la porta
Il piatto di vetro è rumoroso durante il funzionamento del forno	Rulli sporchi e residui sul fondo del forno	Fare riferimento al paragrafo "manutenzione del microonde" per pulire le parti sporche.



Questa apparecchiatura è marchiata secondo la Direttiva Europea 2002/96/CE per lo smaltimento delle apparecchiature elettriche ed elettroniche (Waste Electrical and Electronic Equipment, WEEE).
Facendo in modo che questo prodotto venga smaltito correttamente aiuterete a prevenire potenziali conseguenze negative per l'ambiente e la salute dell'uomo, che potrebbero essere causate da uno smaltimento non corretto. Il simbolo su questo prodotto indica che esso non deve essere trattato come rifiuto domestico. L'elettrodomestico deve essere consegnato al punto di raccolta predisposto per il riciclo delle apparecchiature elettriche ed elettroniche. Lo smaltimento deve avvenire secondo le norme locali vigenti sullo smaltimento dei rifiuti. Per maggiori informazioni sul trattamento, il ritiro e il riciclo di questo prodotto consultare le autorità comunali, il servizio per la raccolta dei rifiuti o il negozio in cui il prodotto è stato acquistato.