

Part number

CX 01 J8IM



Male modular insert, Mixo Data series, RJ45, 1 module, without connector, IDC

Product description

Product type	Modular insert
Series	Mixo Data
Connection type	RJ45
Gender	Male
N. of poles	1 seat for RJ45 connector
Size	1 module
Specification	IDC RJ45, adapter for Cat. 6A male IDC connector

Technical data

Current	1 A
Rated voltage according to UL/CSA	50 V
IP degree of protection	IP20 without enclosure, IP65/IP66/IP68/IP69 with enclosure

Further technical details

Characteristics according to EN 61984	1A 50V 0,8kV 3
Insulation resistance	≥ 10 GΩ
Contact resistance	≤ 3 mΩ
Weight	12,30 g
Operating temperature range (min, max)	-40°C...+70°C
UL 94 flammability rating	V-0

Material properties

Main material	Polycarbonate (PC)
Colour	RAL 7032 grey
RoHs conformity	Compliant
China RoHs - EFUP	E
REACH SVHC substances	No

Approvals / Standards

UL	ECBT2
cUL	ECBT8

General ordering information

EAN13 code	8015747206198
eCl@ss 8.1	27440205
ETIM 7.0	EC000438

Packaging Information

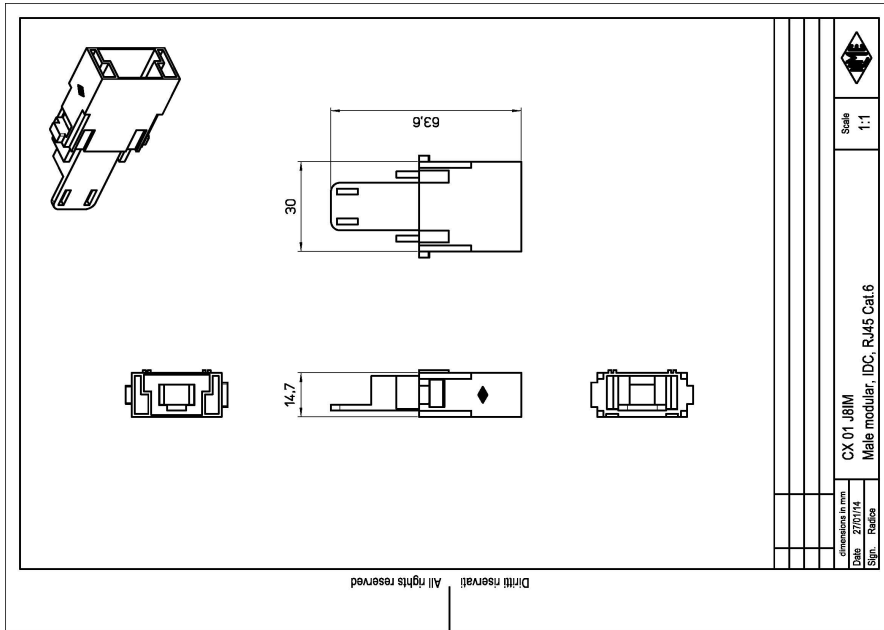
Packaging weight	0,16 kg
Packaging volume	1,24 dm ³
Packaging description	Carton box
Packaging quantity	10 Pcs
Packaging EAN code	8015747292122
Sub-packaging length	112,00 mm
Sub-packaging height	95,00 mm
Sub-packaging width	117,00 mm
Sub-packaging weight	0,02 kg
Sub-packaging volume	1,24 dm ³
Sub-packaging description	Plastic bag
Sub-packaging quantity	1 Pcs
Sub-packaging EAN barcode	8015747206365

Part number

CX 01 J8IM



Catalogue drawings



Notes

Dimensions shown in mm are not binding and may be changed without notice.