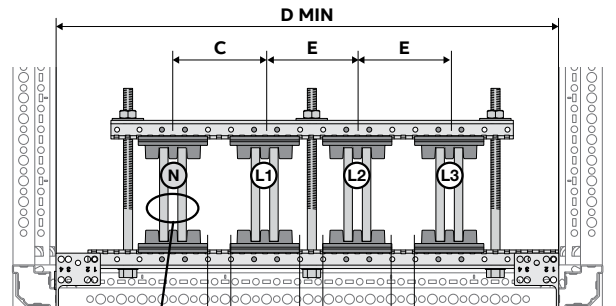
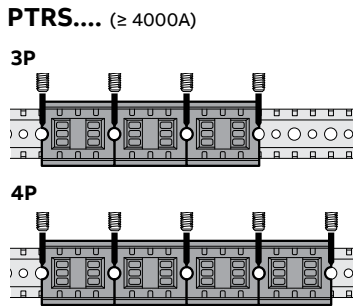
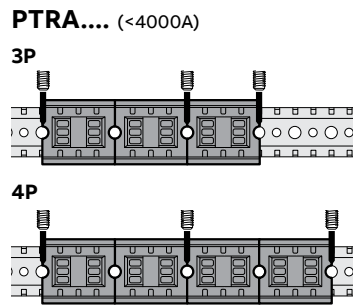
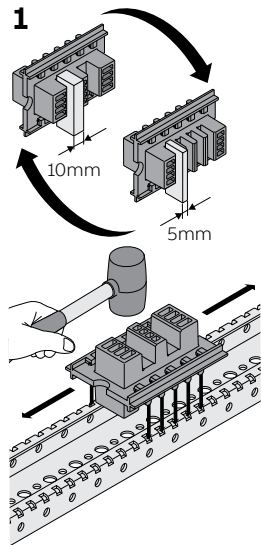
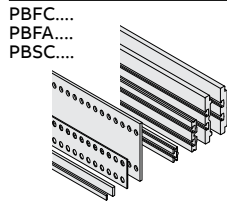
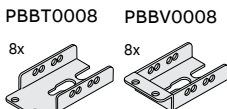
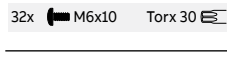
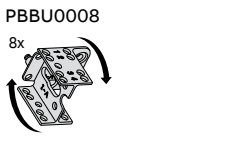
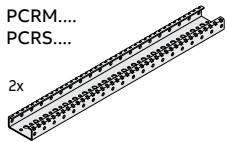
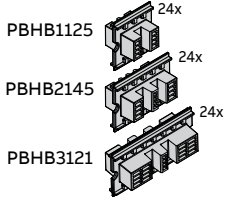
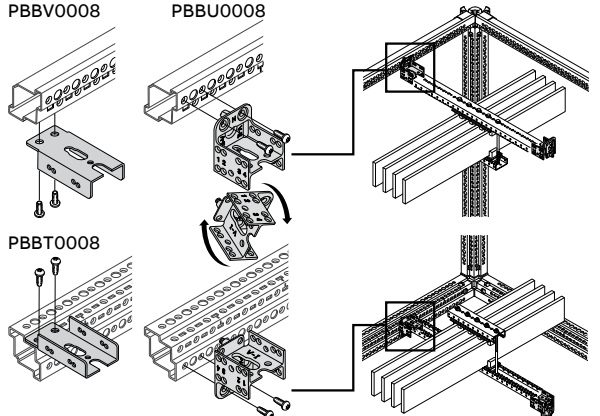
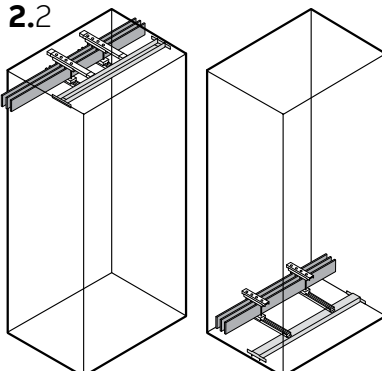
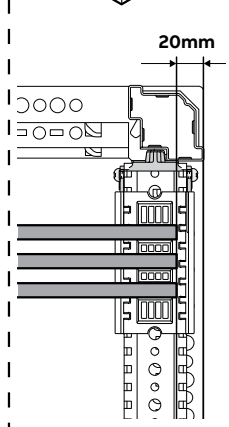
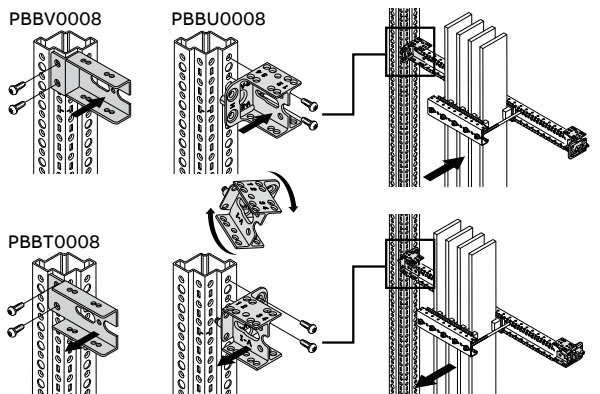
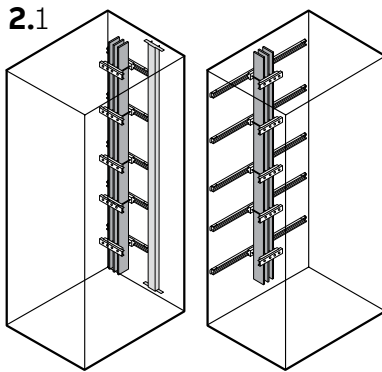
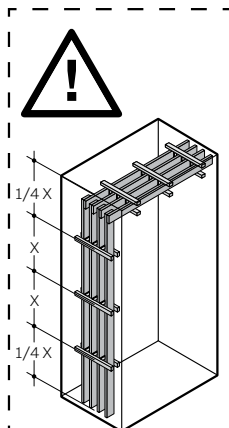
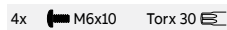
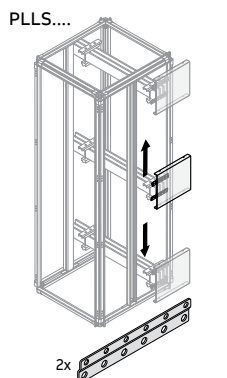
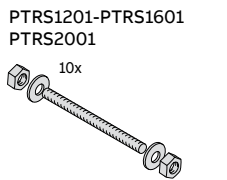
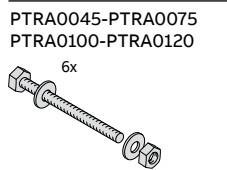


# System pro E power

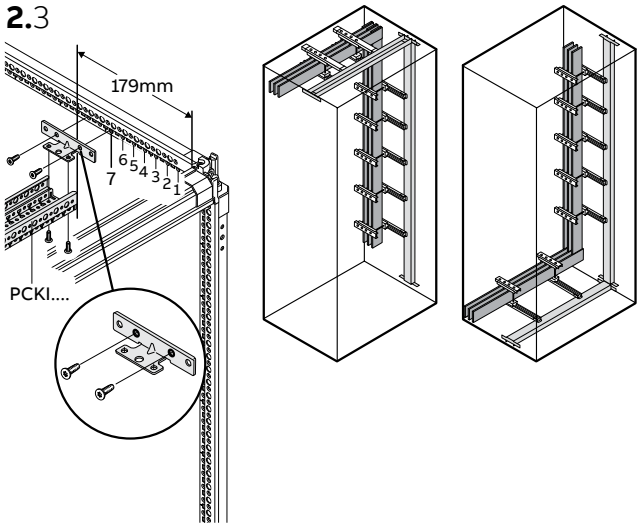
1STS100399R0001 - REV C



In [A]	Q.ty	D MIN [mm]	Component	A [mm]	C [mm]	B [mm]	E [mm]
800-1000 1250-1600	1	700	PBHB1125	25	75	25	75
1600-2500 3200	2	900	PBHB2145	25	100	37.5	112.5
3200-4000 5000-6300	3	900	PBHB3121	25	125	50	150

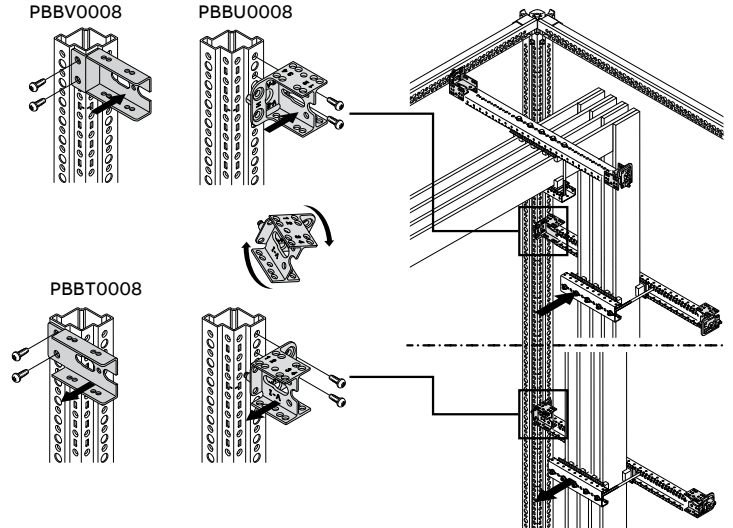


2.3

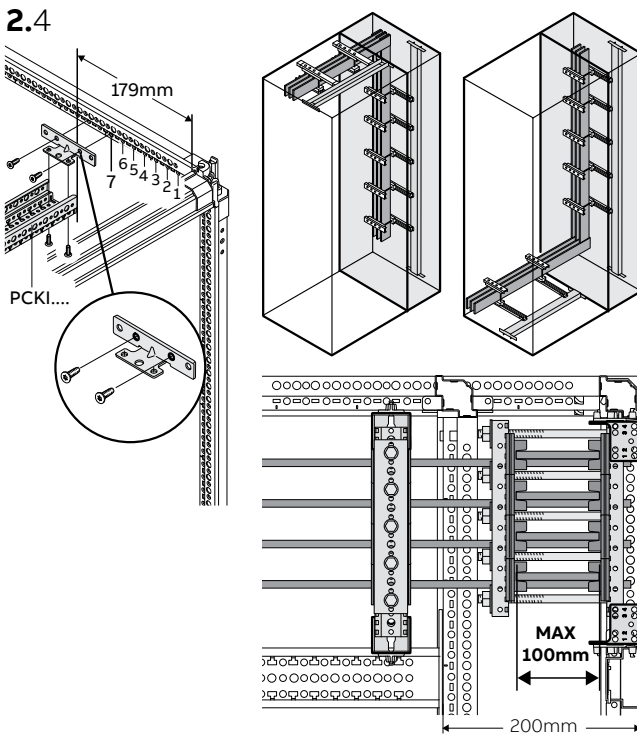


PBBV0008

PBBU0008

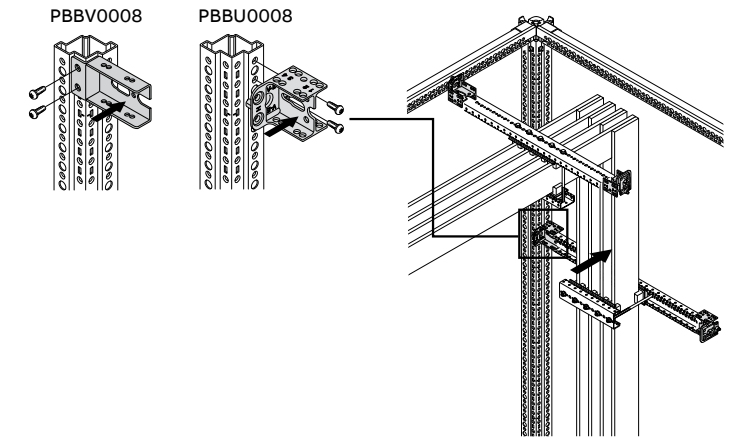


2.4

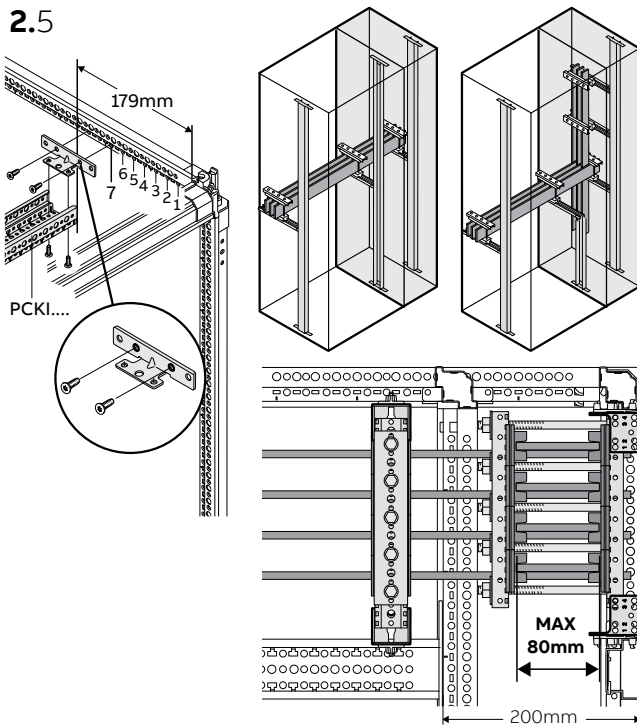


PBBV0008

PBBU0008

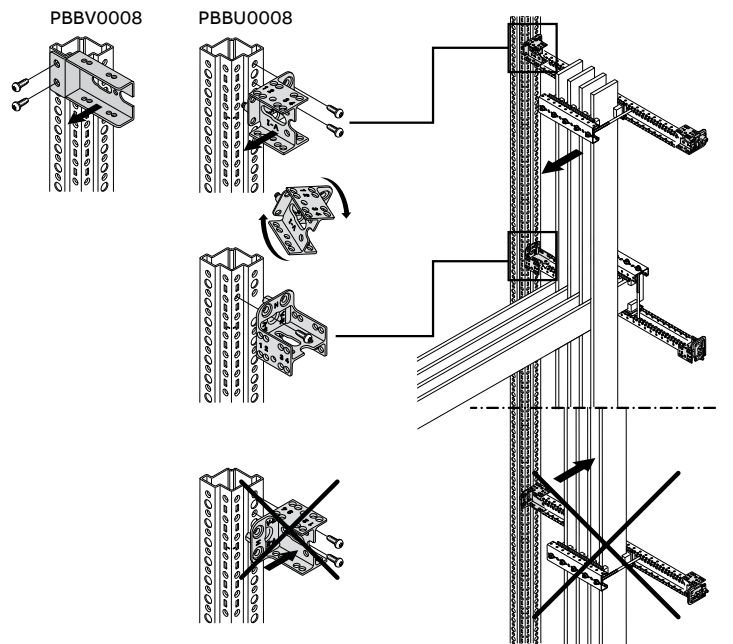


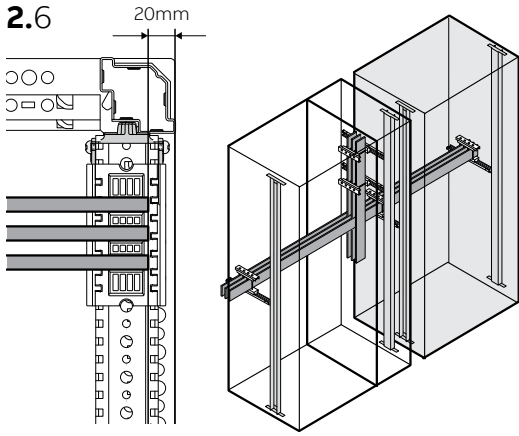
2.5



PBBV0008

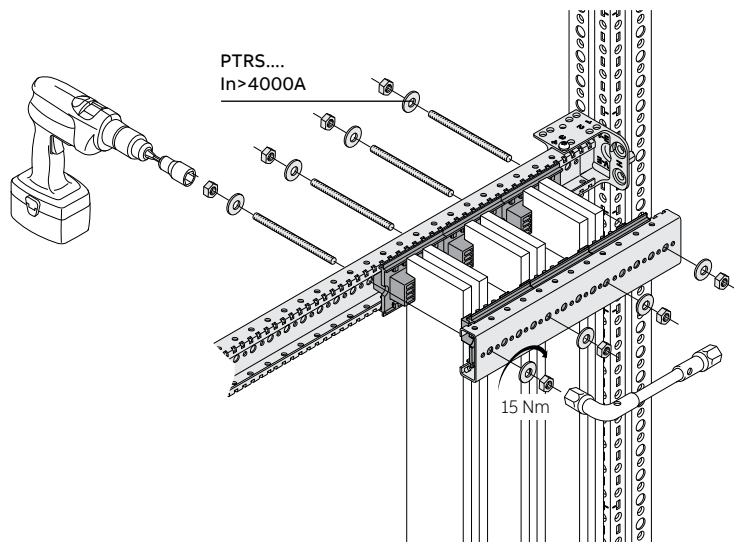
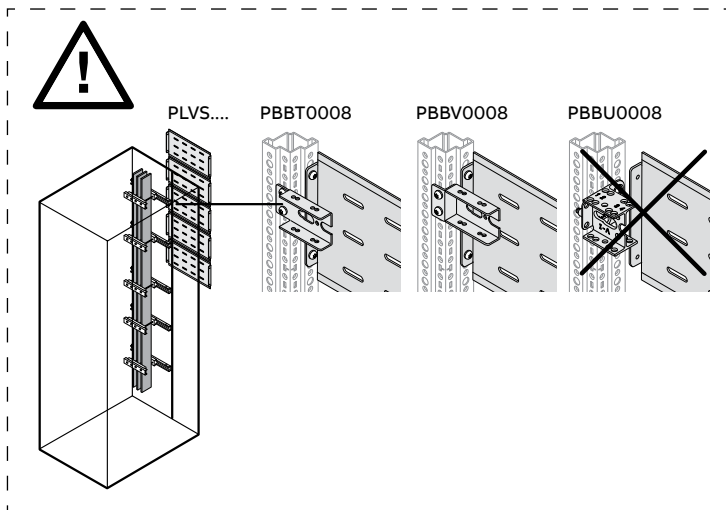
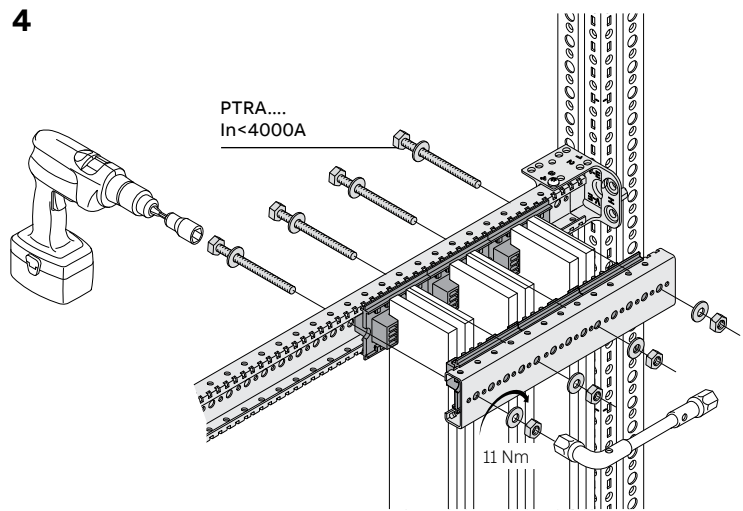
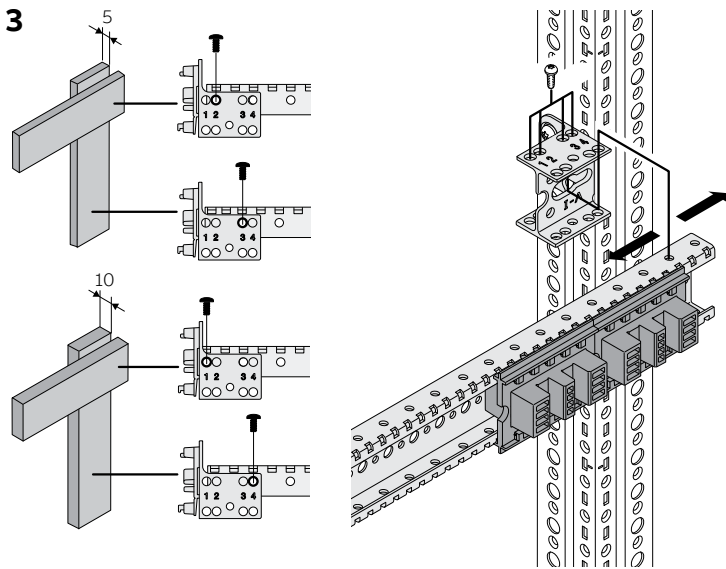
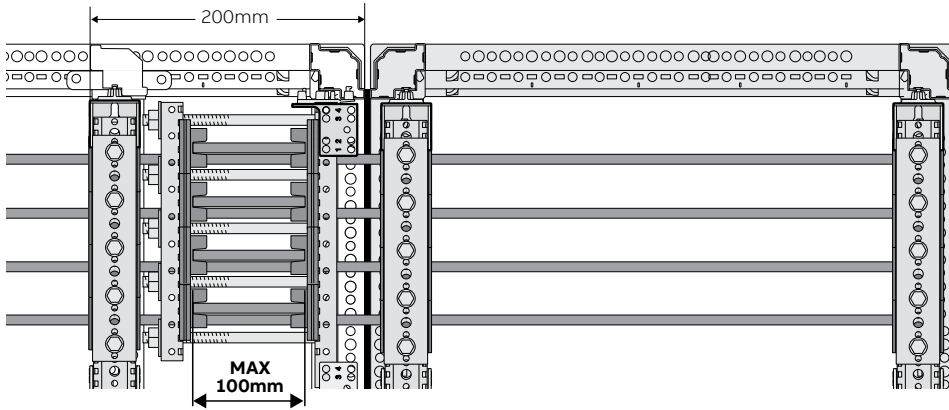
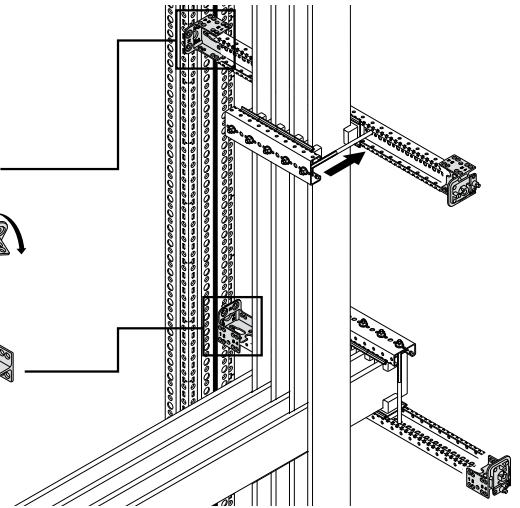
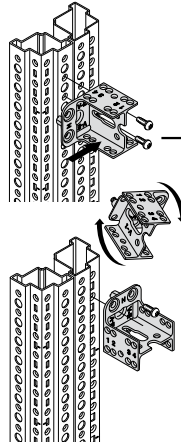
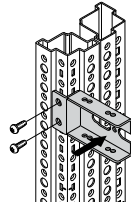
PBBU0008



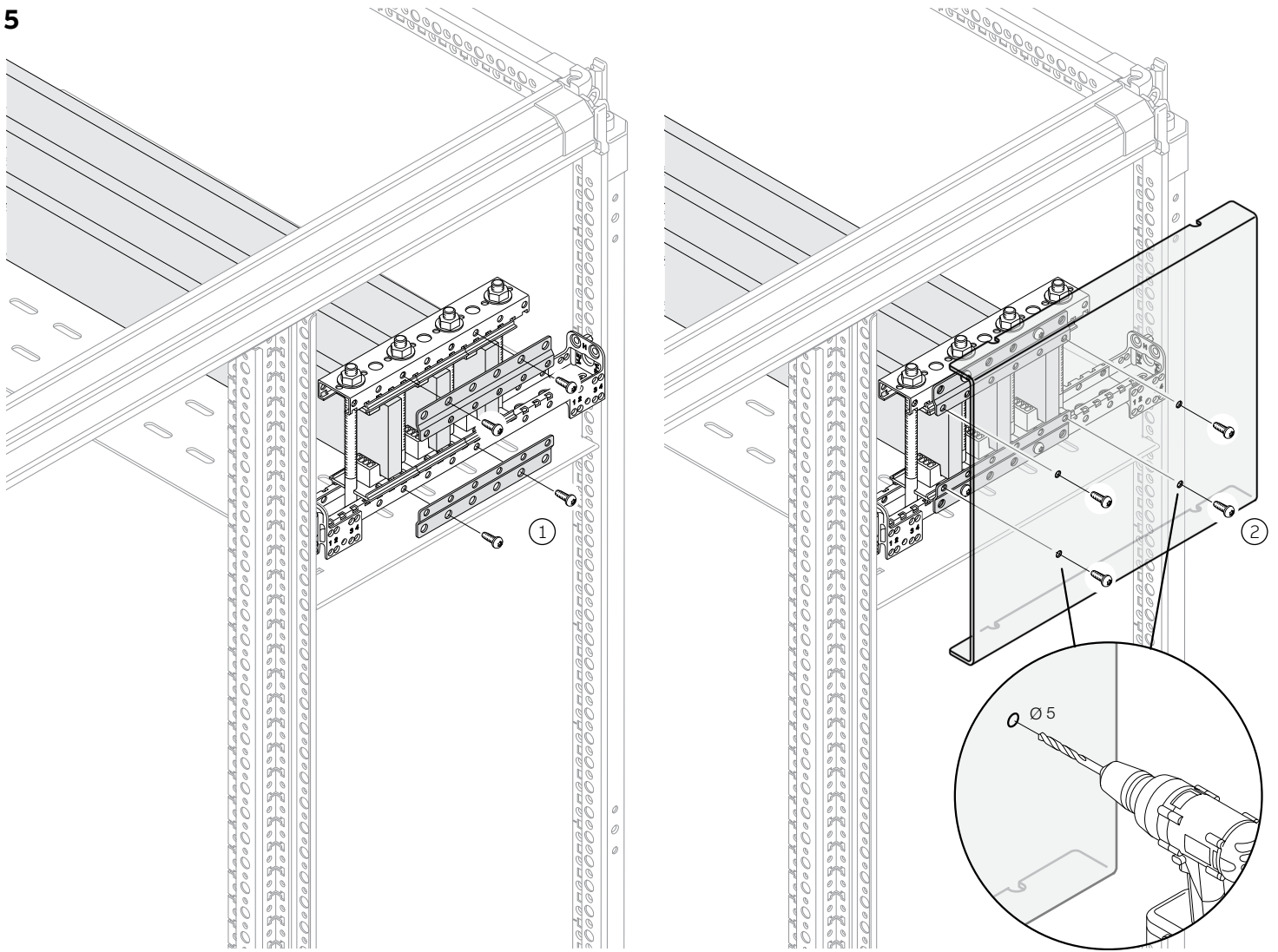


PBBV0008

PBBU0008



5



- Torx 15/20/30
- 5/8/10mm
- Torx 15
- Torx 15/20/30
- 5/8/10mm

- 10mm
- 10/17/19mm
- 10/17/19mm
- 10mm
- 10/17/19mm
-

			max [Nm]
	M6		5
	M6		6
	M6	9÷10	9÷10
	M6	9÷10	9÷10
	M8	22÷24	22÷24
	M10	43÷48	43÷48
	M12	74÷82	74÷82
	TCEI M6		20
	TCEI M10		20
	TCEI M12		20

**ABB S.p.A**  
**Electrification Business - Smart Power**

**ABB SACE Division**  
 58, Via Italia  
 I-23846 Garbagnate Monastero (LC)  
 Phone: +39 031 3570.111  
 Fax: +39 031 3570.228  
[www.abb.com](http://www.abb.com)

