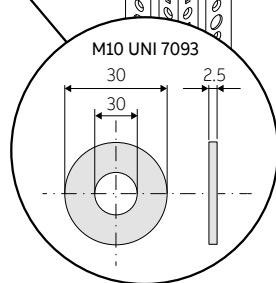
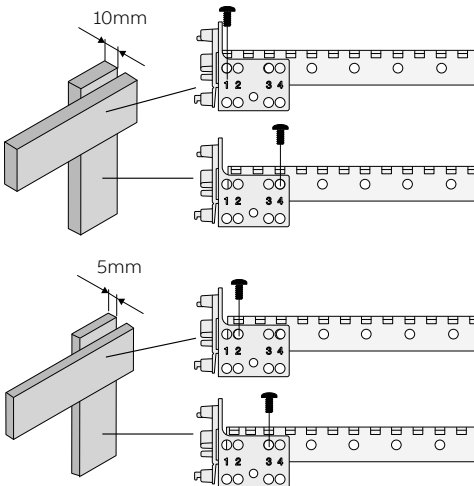
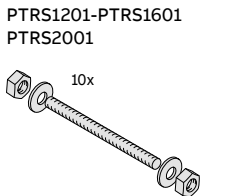
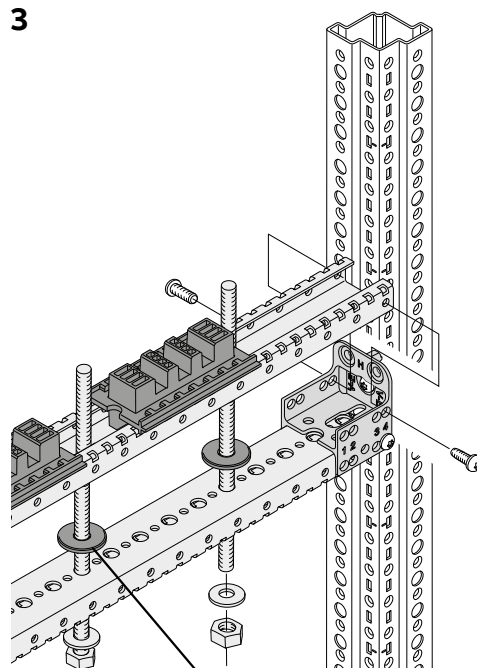
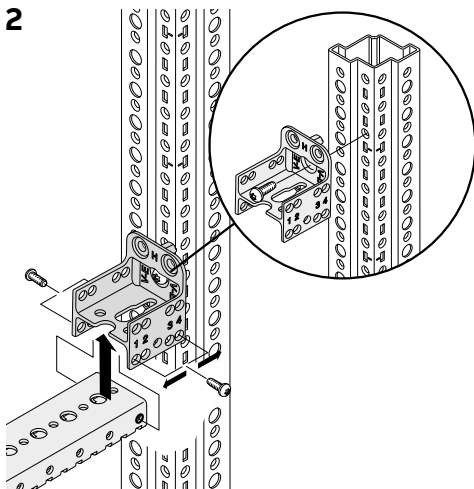
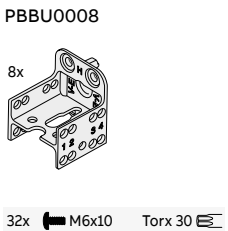
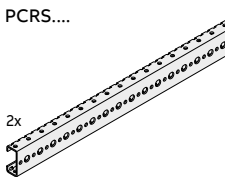
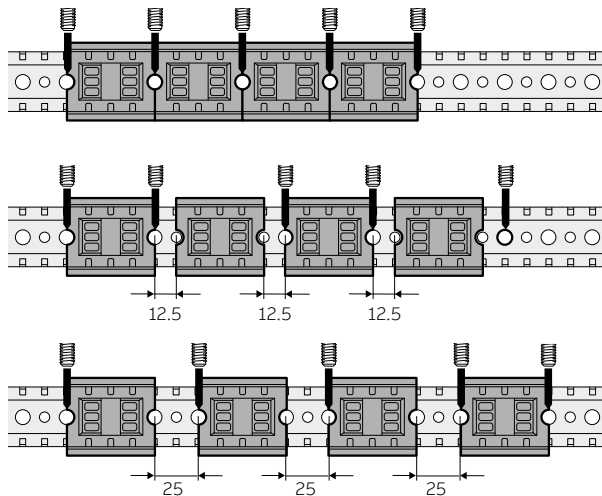
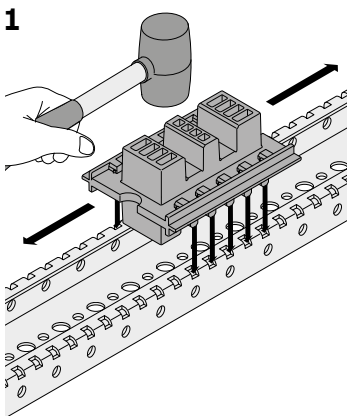
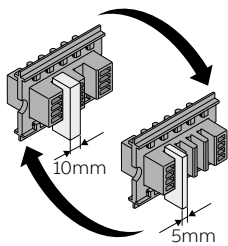
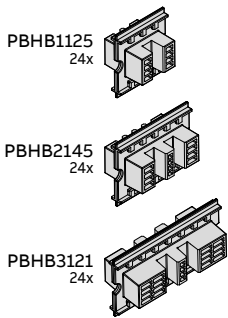
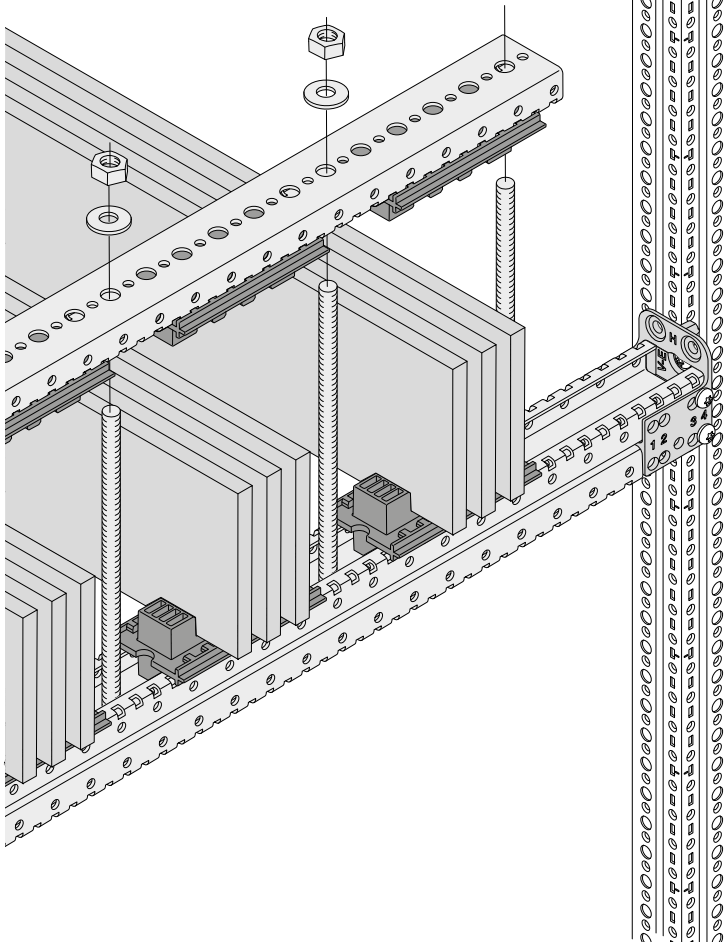


# System pro E power

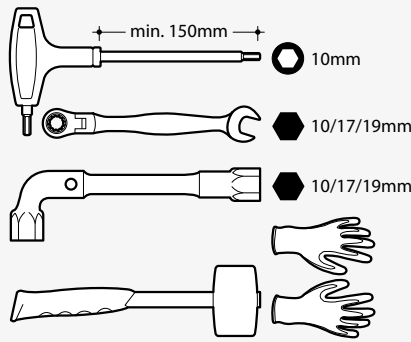
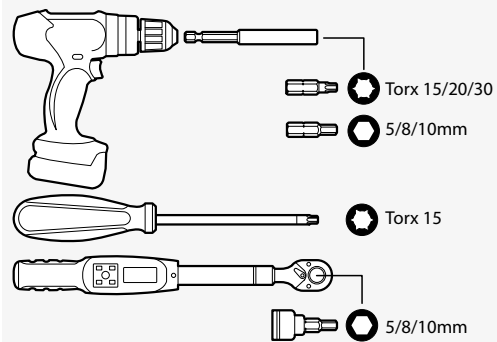
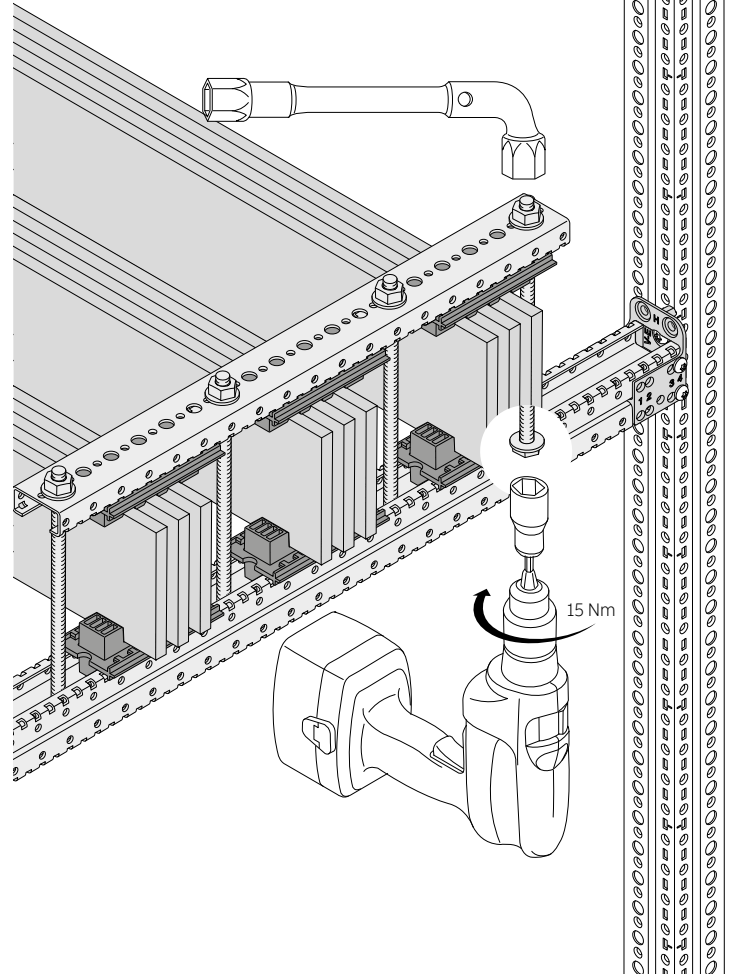
1STS100397R0001 - REV B



4



5



		max [Nm]
	M6	5
	M6	6
	M6	9÷10
	M6	9÷10
	M8	22÷24
	M10	43÷48
	M12	74÷82
	TCEI M6	20
	TCEI M10	20
	TCEI M12	20

**ABB S.p.A**  
**Electrification Business - Smart Power**

**ABB SACE Division**  
 58, Via Italia  
 I-23846 Garbagnate Monastero (LC)  
 Phone: +39 031 3570.111  
 Fax: +39 031 3570.228  
[www.abb.com](http://www.abb.com)

