

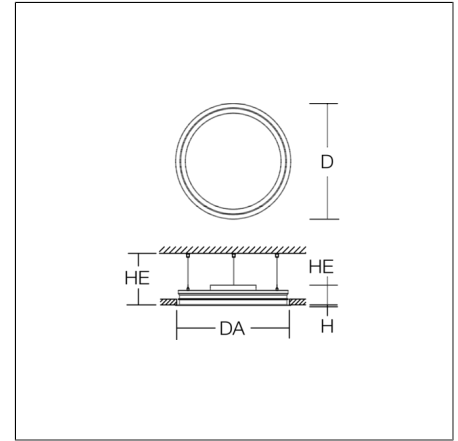
# TRIONA round

## 312383.004.2.12 | Recessed luminaires



Recessed ceiling luminaires  
4051859530763  
D 725, H 2

Recessed ceiling mounting  
silver, matt (approx. RAL 9006)



Decorative round LED recessed surface luminaire. Cover made of sheet steel, powder-coated. Frame made of aluminium, powder-coated. Recessed ring: aluminium extrusion profile, powder coated. Light emission through a diffuser: plastic, opal. Lightguide and diffuser made of non-yellowing plastic (PMMA). Lateral light emission (RZB SIDELITE® technology) for above-average homogeneous light distribution. Tunable white versions, dynamically adjustable from 2700 K to 6500 K. Suitable for installation in cavity ceilings. Tool-free mounting system thanks to patented rocker arm mechanism. Electronic ballast included. Very easy installation thanks to plug & play connection. Ideal for use as part of the Human Centric Lighting concept in connection with RZB light management systems.

### Product specifications

Diameter D	725 mm
Height H	2 mm
Cut-out diameter DA	702 mm
Luminaire: recess height HEL	89 mm
Installation space length LE	700 mm
Installation space width BE	700 mm
Installation space height HE	100 mm
Weight	12.8 kg
Light source	LED
Colour temperature	2700 - 6500 K
Rated luminous flux	3200...3350 lm
System power	40...42 W
System efficiency	76...84 lm/W
Beam angle	104°
Rated life	50000 h (L80/B50)
Colour rendering index (CRI)	80
Colour tolerance (McAdam)	3 SDCM
Photobiological safety according to EN 62471	Risk group 1
Driver	Converter, dimmable
Control	DALI
Voltage	220 - 240 V / 50 - 60 Hz
Luminaires on B10A fuse	13
Luminaires on B16A fuse	22
Luminaires on C10A fuse	21
Luminaires on C16A fuse	36
Inrush current / Inrush current duration	29 A / 180 µs
CIE Flux Code / CEN Flux Code	50 80 96 100 100
Type of protection	IP 40 on room side IP 20
Protection class	I
Filament test	650°C - 30 seconds
Impact resistance	IK03
Ambient temperature	25 °C
Conformity mark	CE, EAC

# TRIONA round

312383.004.2.12 | Recessed luminaires

