

Mounting instructions

Quick Wire system



Quick Wire system

Mounting instructions

EN: Table of contents

1	About these instructions	.5
1.1	Target group	5
1.2	Using these instructions	5
1.3	Types of safety information	5
1.4	Correct use	6
1.5	Basic standards and regulations	6
1.6	Applicable documents	6
2	General safety information	.6
3	System overview	.7
3.1	Support cable	8
3.2	Variants/endings	8
3.3	Diameter/load capacity	9
3.4	Surfaces	9
3.5	Accessories	9
4	Storing the Quick Wire system	10
5	Mounting the Quick Wire system	10
5.1	Operating load with sloping suspensions	10
5.2	Mounting Quick Wire with a loop	11
5.3	Mounting Quick Wire with a universal bracket	12
5.4	Mounting Quick Wire with an eye screw	13
5.5	Mounting Quick Wire with a support clamp	14
5.6	Mounting Quick Wire with a trapezoidal panel hook	15
5.7	Mounting Quick Wire with a trigger hook	16
5.8	Mounting Quick Wire with a ring eyelet	17
5.9	Mounting a cable gripper	18
5.10	Adjusting a cable gripper	19
5.11	Mounting Quick Wire for a mesh cable tray	20
5.11.1	Fastening a Y suspension	20
5.11.2	Suspending a mesh cable tray from a Y suspension	21
5.11.3	Suspending a Y suspension from a mesh cable tray	22
5.11.4	Mounting a universal bracket to a mesh cable tray	23
5.12	Mounting Quick Wire for cable trays	24

5.12.1	Fastening a Y suspension	24
5.12.2	Attaching a cable tray to a Y suspension.	25
5.12.3	Suspending a Y suspension from a cable tray	26
5.13	Mounting a universal bracket on a cable tray	27
5.14	Cutting the support cable to size	27
6	Maintaining the Quick Wire system.	28
7	Dismantling the Quick Wire system	28
8	Disposing of the Quick Wire system	28
9	Technical data	29

1 About these instructions

1.1 Target group



These instructions are intended for the following target groups:

- Electrical installation engineers charged with the installation of the Quick Wire system.
- Planners charged with the planning of the Quick Wire system.

Electrical work may only be carried out by specialist personnel with electrical training.

1.2 Using these instructions

- These instructions are based on the standards valid at the time of compilation (May 2021).
- We will not accept any warranty claims for damage caused through non-observance of these instructions.
- Any images are intended merely as examples. Mounting results may look different.

1.3 Types of safety information



Type of risk!

Shows a dangerous situation. If the safety instruction is not observed, then serious or fatal injuries may occur.



Type of risk!

Shows a dangerous situation. If the safety instruction is not observed, then medium or minor injuries may occur.

ATTENTION

Type of risk!

Shows a hazardous situation. If the safety instruction is not observed, then damage to the product or the surroundings may occur.

Note!

Indicates important information or assistance.

1.4 Correct use

The Quick Wire system is used for rapid, simple suspension of different loads. The maximum operating load of the Quick Wire product is dependent on the cable diameter used and can be found in the technical data. The maximum operating load of the entire suspension is also dependent on the appropriate fastening elements and may be lower than that of the Quick Wire product. The area of use of the Quick Wire products is dependent on the material surface.

Depending on the fastening variant, the suspensions can be fastened on ceilings, walls, trapezoidal plates or steel girders.

The Quick Wire system is not designed for any other purpose than the one described here. If the Quick Wire system is used for another purpose, any liability, warranty or damage claims shall be rendered null and void.

1.5 Basic standards and regulations

- Cable loop according to EN 13411 Part 3: Terminations for steel wire ropes – Safety – Ferrules and ferrule-securing
- Wire cable according to EN 12385

1.6 Applicable documents

- Declarations of conformity (online catalogue at www.obo-bettermann.com)

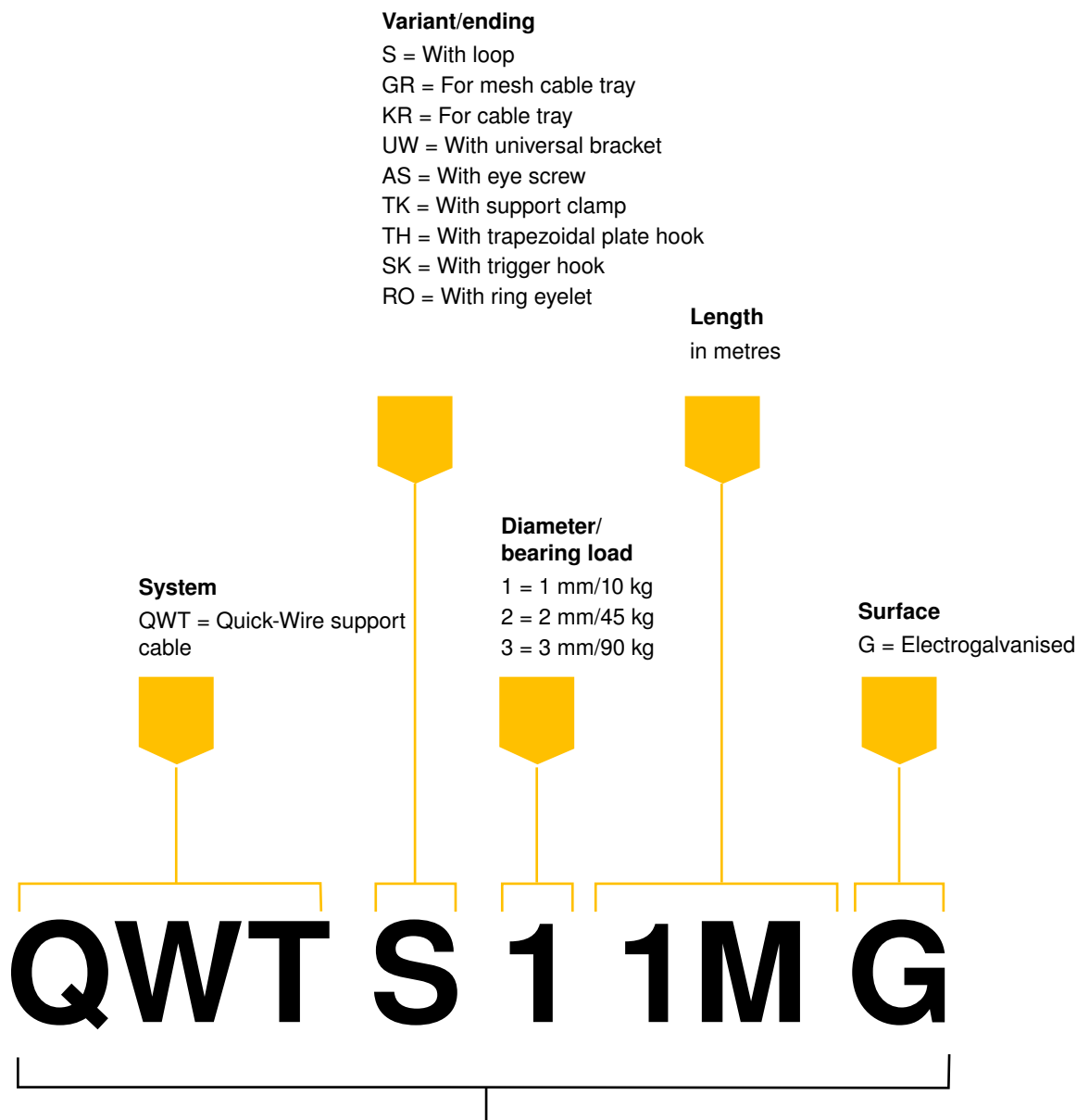
2 General safety information

Observe the following general safety information on handling the Quick Wire system:

- Wear protective gloves during any mechanical mounting work.
- Do not exceed the maximum operating load of the individual components.

3 System overview

Each of the Quick Wire products consists of a support cable with fastening variant and a matching cable gripper, except for the variants for mesh cable trays and cable trays. The different type designations are produced from the fastening variant, the diameter, the length and the surface:



Example

Quick Wire
with loop
Cable diameter 1 mm at 10 kg bearing load
Length 1 m
Electrogalvanised surface

3.1 Support cable

The Quick Wire support cables possess a 7x7 (6/7) structure with steel core and are produced according to the standard DIN EN 12385:

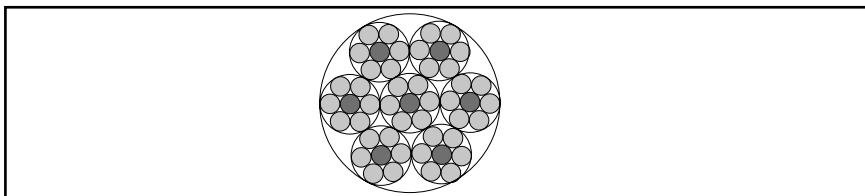


Fig. 1: Support cable specification

3.2 Variants/endings

The Quick Wire support cable is available with 9 different endings for different fastening variants:

Product graphic	Variant/ending	Function
	Quick Wire with a loop	Looping steel, concrete, wood and other support structures
	Quick Wire with a universal bracket	Wall and ceiling mounting with bolt tie or nail setting device
	Quick Wire with eye screw	Wall and ceiling mounting with internal thread
	Quick Wire with a support clamp	Suspension of steel girders, angular steels or flat irons. Flange thickness/material thickness: 8–14 mm
	Quick Wire with a trapezoidal panel hook	Suspension of trapezoidal panel ceilings
	Quick Wire with a trigger hook	Suspension in or on existing structures
	Quick Wire with a ring eyelet	Wall and ceiling mounting with threaded rods
	Quick Wire for a mesh cable tray (without cable gripper)	Suspension from or on mesh cable trays
	Quick Wire for cable trays (without cable gripper)	Suspension of perforated cable trays

3.3 Diameter/load capacity

The system comprises 3 different cable diameters with appropriate operating load; the safety factor is 5:1.








- Ø 1 mm for light loads, maximum operating load 10 kg
- Ø 2 mm for medium loads, maximum operating load 45 kg
- Ø 3 mm for heavy loads, maximum operating load 90 kg

Note! *The maximum operating load stated here does not relate to sloping suspensions (see „5.1 Operating load with sloping suspensions“ page 10).*

3.4 Surfaces

Electrogalvanised Quick Wire products as well as products made from aluminium are suitable for indoor areas with no particular corrosion protection requirements.

3.5 Accessories

Product graphic	Designation	Function
	Cable gripper	Spare part
	Universal bracket for mesh cable tray	Fastening of, for example, junction boxes or pipe clips to mesh cable trays
	Universal bracket for cable tray	Fastening of, for example, pipe clips to cable trays
	Support cable set with 20 or 100 cable grippers support cable Ø 1,5 mm	Creation of individual suspensions
	Support cable set with 20 or 100 cable grippers support cable Ø 2 mm	Creation of individual suspensions
	Support cable on a coil	Creation of support cables in individual lengths
	Wire cable cutter	For individual shortening of support cables

4 Storing the Quick Wire system

Store the Quick Wire system in a dry place and in its original packaging.

5 Mounting the Quick Wire system

The fastening elements for wall and ceiling are not included in the scope of delivery. Before mounting the Quick Wire system, fastening elements must be selected according to the planned load capacity and mounted.



WARNING

Danger due to high working height!

When installing at height, there is a risk of falling and/or that parts may fall. Use fall protection during installation and secure the area beneath the installation site. Wear safety gloves, a helmet and protective glasses.



WARNING

Failure of the fastening elements!

If the fastening elements are not selected according to the planned load capacity or the material combination leads to contact corrosion, they may fail.

Select fastening elements with an appropriate load capacity and a suitable material.

If the load capacity of the fastening elements is lower than the load capacity of the Quick Wire support cable, then the maximum operating load of the entire suspension is equal to the bearing load of the fastening element.

5.1 Operating load with sloping suspensions

The operating load stated here relates to vertical suspensions. The operating load is reduced on sloping suspensions. The appropriate maximum approved operating load is dependent on the entire suspension, including the fastening elements. An angle of max. 60° may not be exceeded.

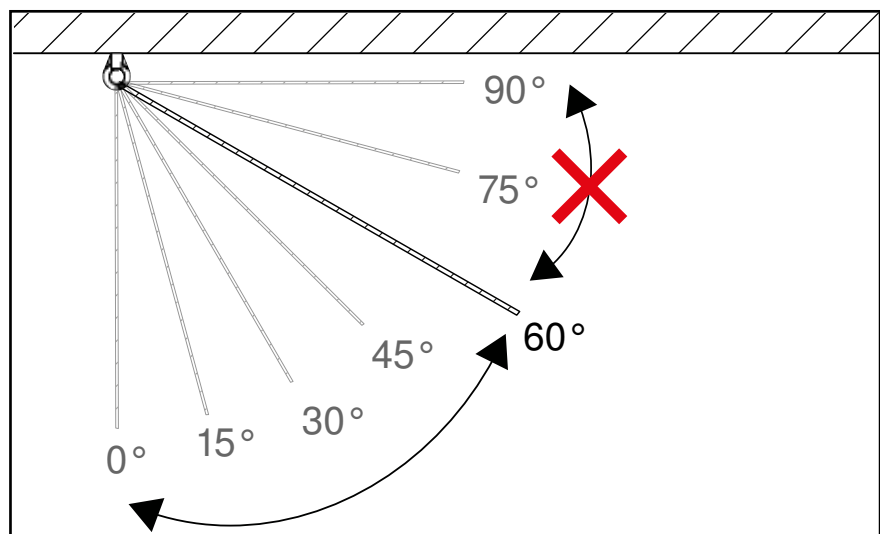


Fig. 2: Operating load with sloping suspensions

5.2 Mounting Quick Wire with a loop

The support cable with a loop can be mounted, for example, with a ceiling hook, a ring eyelet or on steel girders:

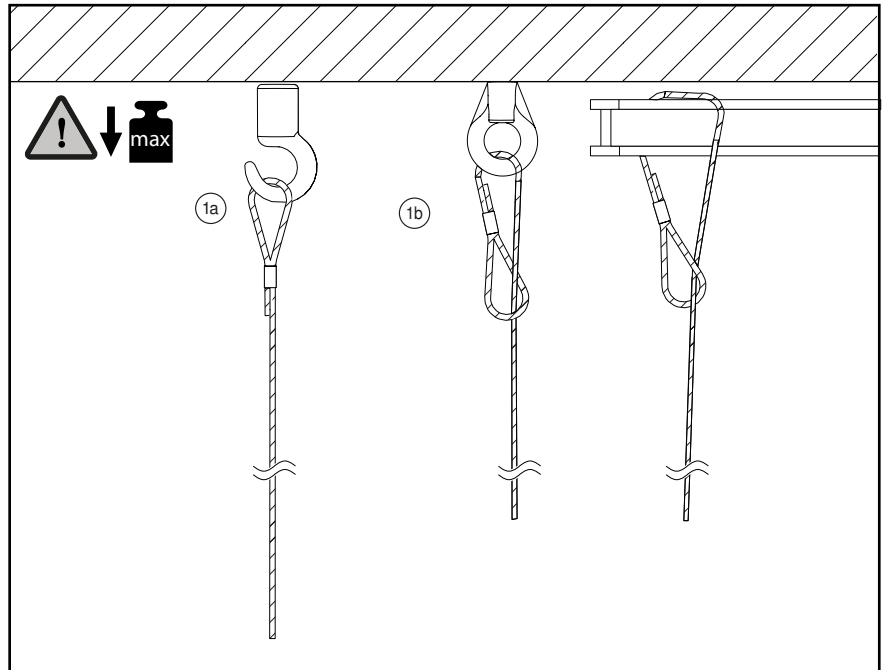


Fig. 3: Mounting the support cable with a loop

- 1a. Hang the loop in the ceiling hook or other support structures (1a).
- 1b. Place the support cable around the steel girder or through the ring eyelet and run the end of the cable through the loop (1b).

5.3 Mounting Quick Wire with a universal bracket

The universal bracket can, for example, be mounted with a screw and anchor or a nail setting device:

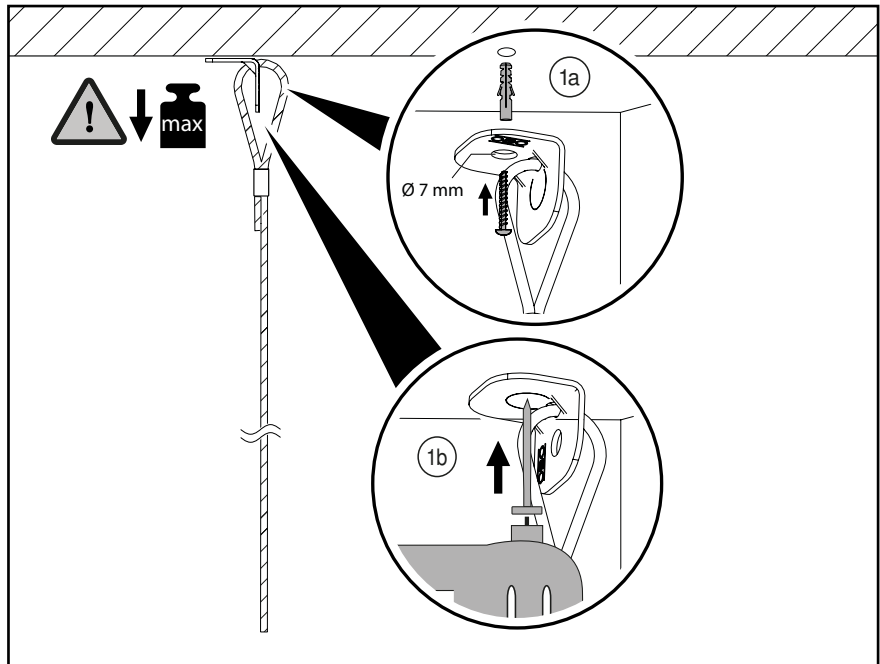


Fig. 4: Mounting a support cable with a universal bracket

- 1a. Fasten the universal bracket (perforated bracket side) with a screw and anchor (1a).
- 1b. Fasten the universal bracket (marked bracket side) with a nail setting device (1b).

5.4 Mounting Quick Wire with an eye screw

The eye screw can, for example, be mounted with an appropriate anchor or an internal thread (M6):

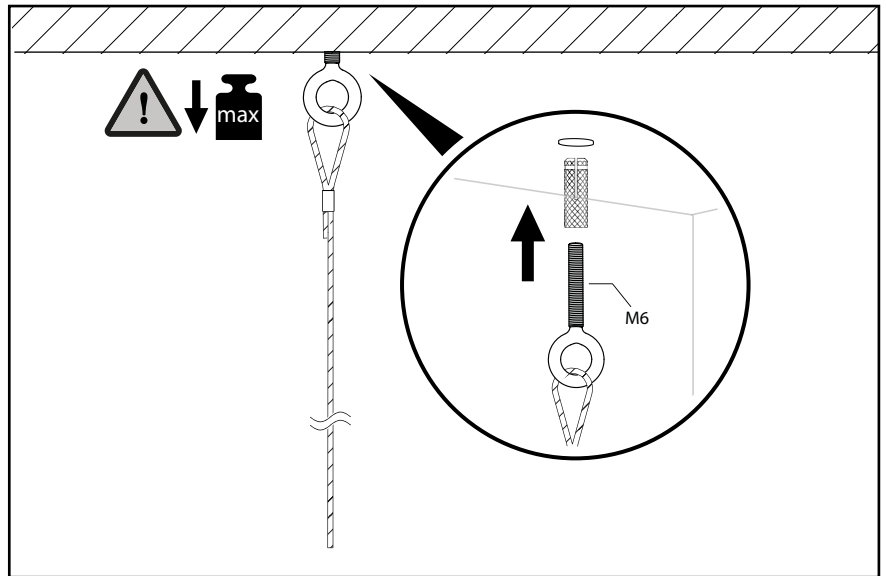


Fig. 5: Mounting a support cable with an eye screw

1. Create the drill hole (\varnothing according to the anchor).
2. Insert anchors.
3. Screw in the eye screw.
Screw-in depth according to the anchor.

5.5 Mounting Quick Wire with a support clamp

The support clamp can, for example, be mounted on steel girders, angular steels or flat irons with a flange thickness/material thickness of 8–14 mm:

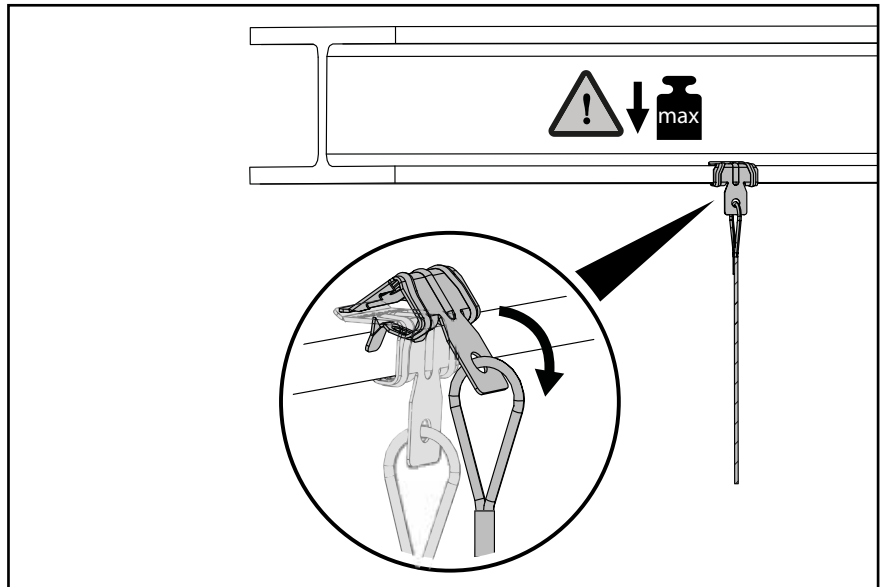


Fig. 6: Mounting the support cable with support clamp

1. Knock the support clamp onto steel girders, angular steels or flat irons.

5.6 Mounting Quick Wire with a trapezoidal panel hook



WARNING

Failure of the trapezoidal panel ceiling!

If the trapezoidal panel ceiling has a lower load capacity than the Quick Wire system, then it may fail and the suspension will fall down. If the load capacity of the trapezoidal panel roof is lower than that of the Quick Wire support cable, then the maximum operating load of the entire suspension corresponds to the load capacity of the trapezoidal panel roof.

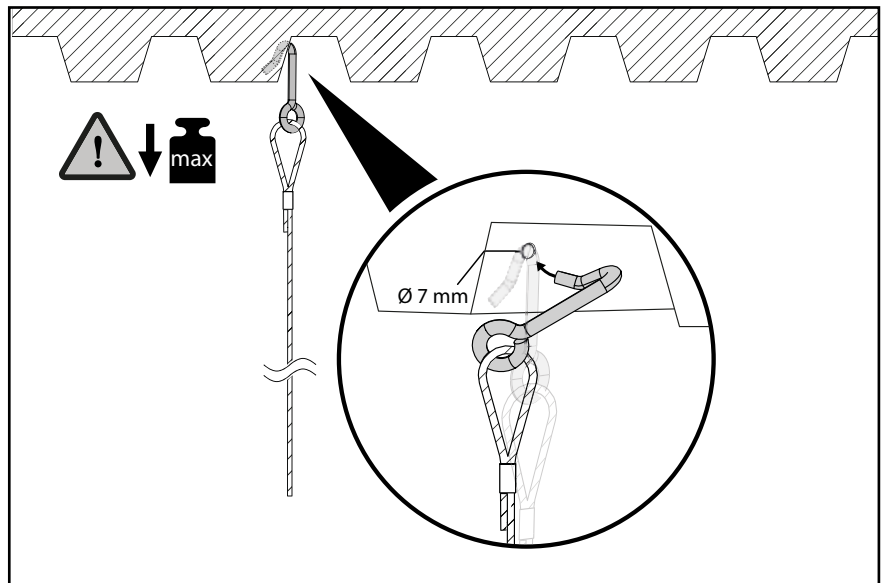


Fig. 7: Mounting a support cable with trapezoidal plate hook

1. Create a drill hole in the trapezoidal panel ($\text{Ø } 7 \text{ mm}$).
2. Pass the trapezoidal panel hook through the drill hole until it hangs vertically downwards.

5.7 Mounting Quick Wire with a trigger hook

The trigger hook can, for example, be mounted on ring eyelets or steel girders:

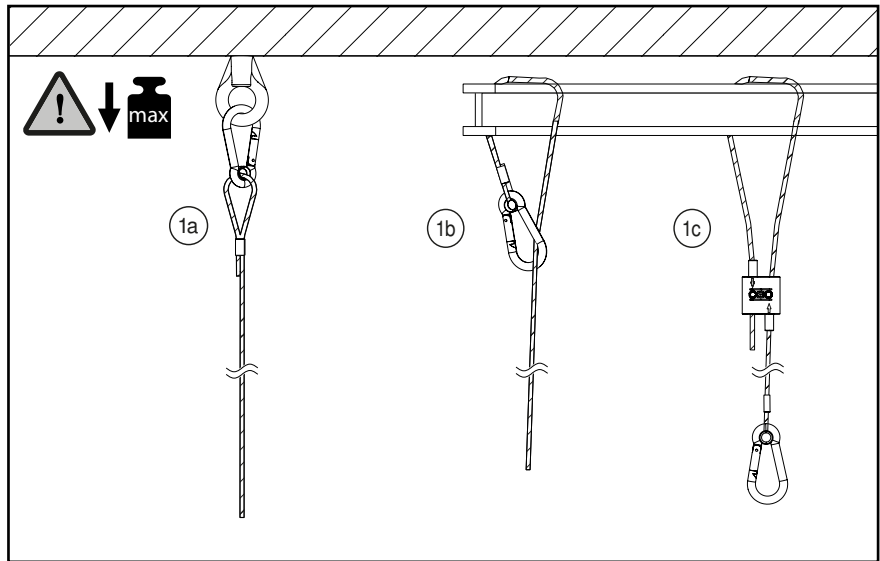


Fig. 8: Mounting a support cable with trigger hook

- 1a. Attach the trigger hook to existing support elements.
- 1b. Pass the trigger hook around existing support structures and fasten on the support cable.
- 1c. Fasten the support cable with cable load to existing support structures (see also „5.9 Mounting a cable gripper“ page 18).

5.8 Mounting Quick Wire with a ring eyelet

The ring eyelet can be mounted, for example, with a nail tie (M6) or a threaded rod (M6).

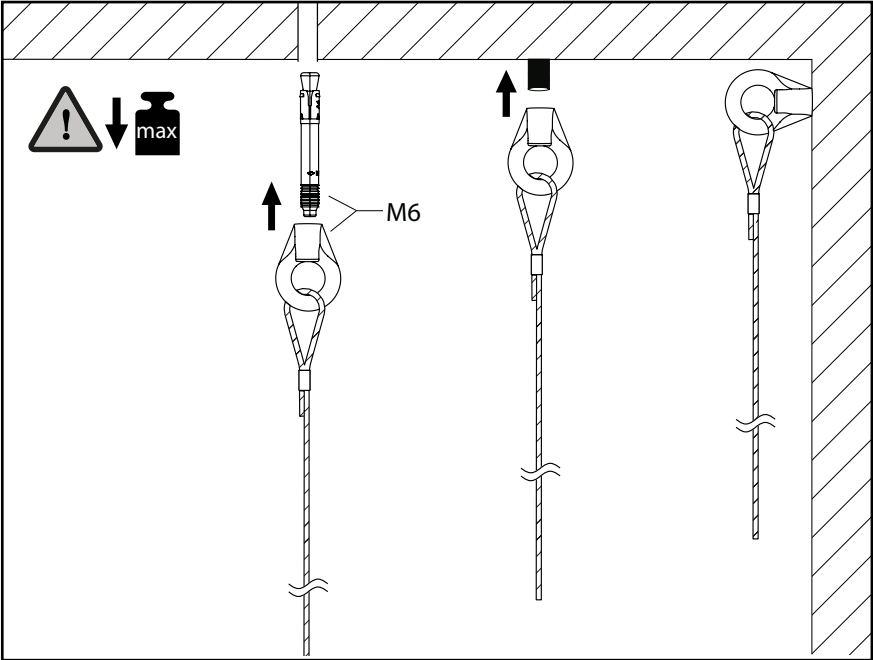


Fig. 9: Fastening the support cable with ring eyelet

- 1. Screw the ring eyelet (M6) to the thread.

5.9 Mounting a cable gripper

Note! *The cable gripper locks automatically as soon as a load strains the cable.*

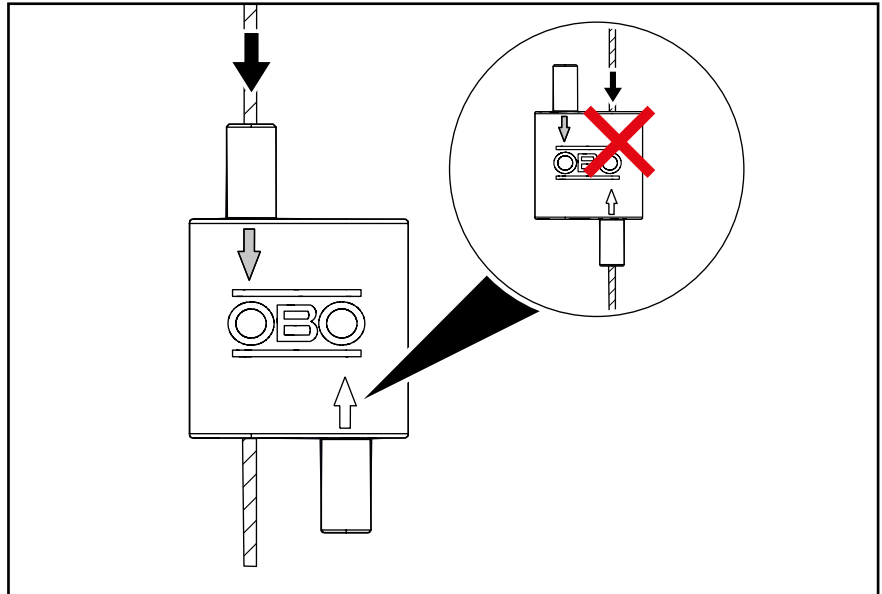


Fig. 10: Fastening a cable gripper to the cable

1. Run the support cable through the cable gripper from above, according to the arrow marking.

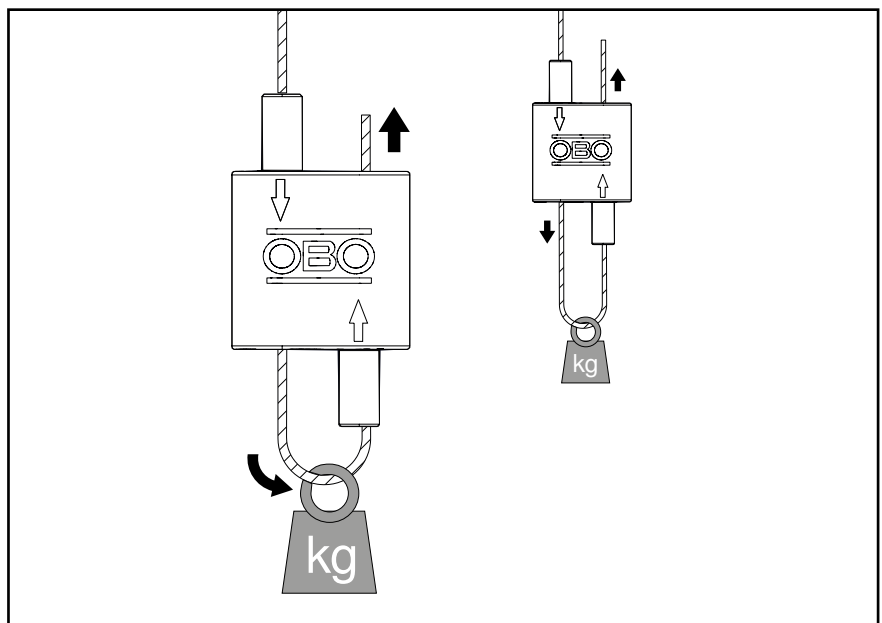


Fig. 11: Attaching a load

2. Attach the load and run the support cable through the other side of the cable gripper from below.
3. Pull the cable further through the lock on both sides, in order to move the suspension to the desired height.

5.10 Adjusting a cable gripper

The Quick Wire cable grippers possess an adjustment mechanism. Using an unlocking device on the cable gripper, the suspension can be adjusted in both directions without tools.



WARNING

Risk of injury!

When a load is suspended, actuation of the unlocking device can cause injuries to the fingers or the suspended load to fall down. Only actuate the unlocking device when no load is suspended or the load is supported.

ATTENTION

Risk of damage!

Actuation of the unlocking device with a tool can damage the support cable. Actuate the unlocking device by hand.

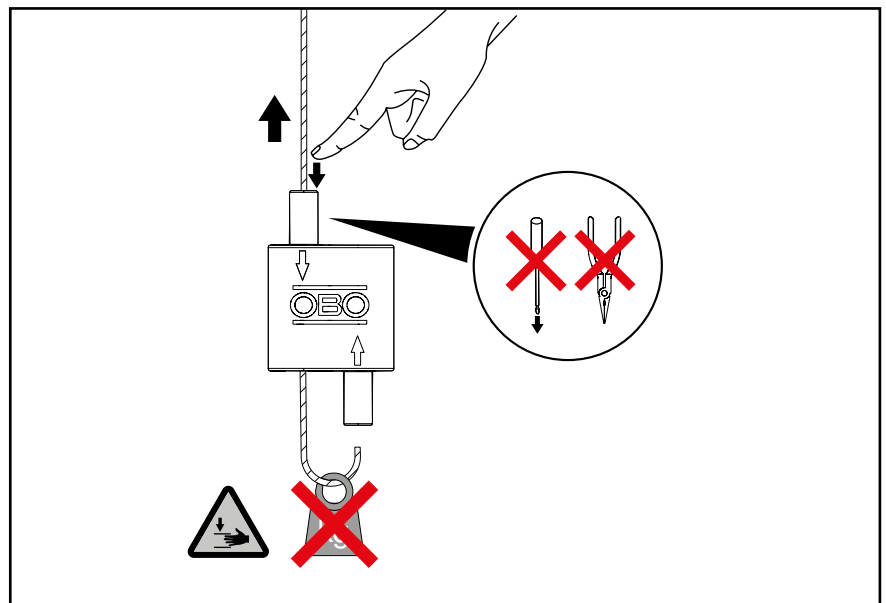


Fig. 12: Adjusting a cable gripper

1. By hand, push the unlocking device downward in order to move the cable in both directions for adjustment.

5.11 Mounting Quick Wire for a mesh cable tray

5.11.1 Fastening a Y suspension

The scope of delivery does not contain the matching fastening material. Before mounting, select and mount suitable fastening materials or support structures (e.g. ceiling hook, trigger hook or other Quick Wire variants).

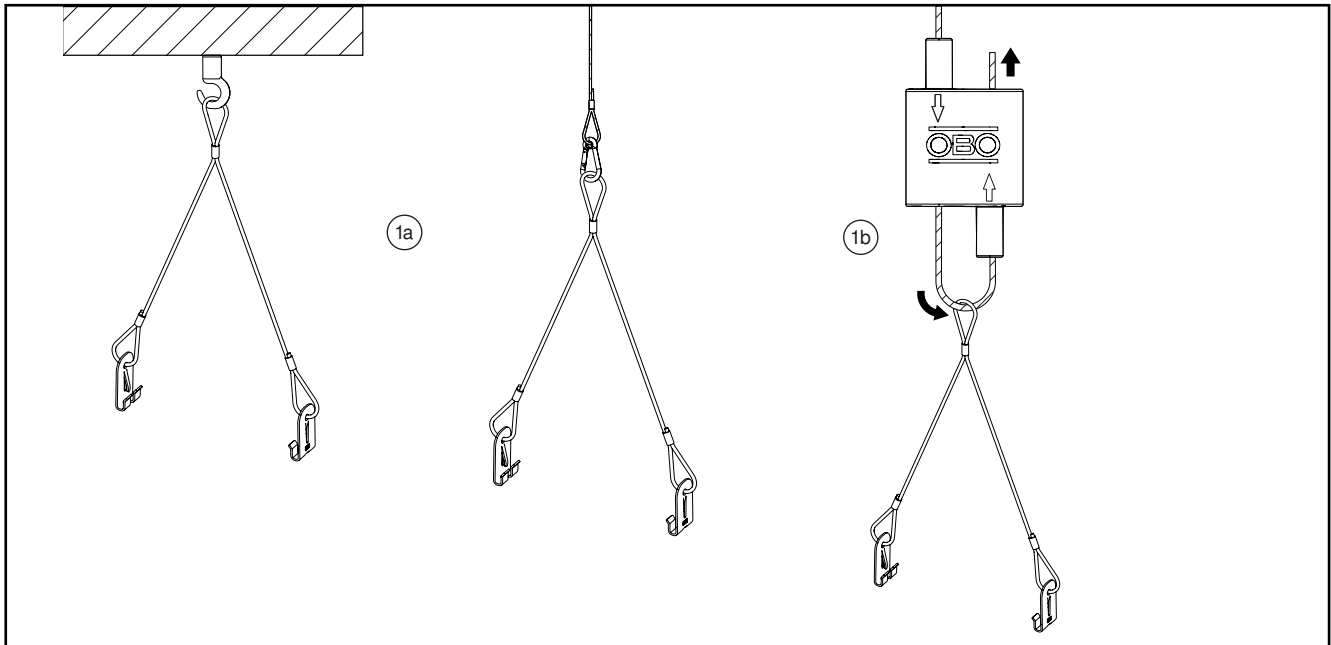


Fig. 13: Fastening of the Y suspension

- 1a. Attach the Y suspension for mesh cable trays to existing support elements.
- 1b. Suspend the Y suspension for mesh cable trays with a Quick Wire variant. (See also Chapter 5.2–5.9)

5.11.2 Suspending a mesh cable tray from a Y suspension

The mesh cable tray can be suspended in two different ways using the Y suspension for mesh cable trays:

Note! Observe the maximum support spacings of the mesh cable tray.

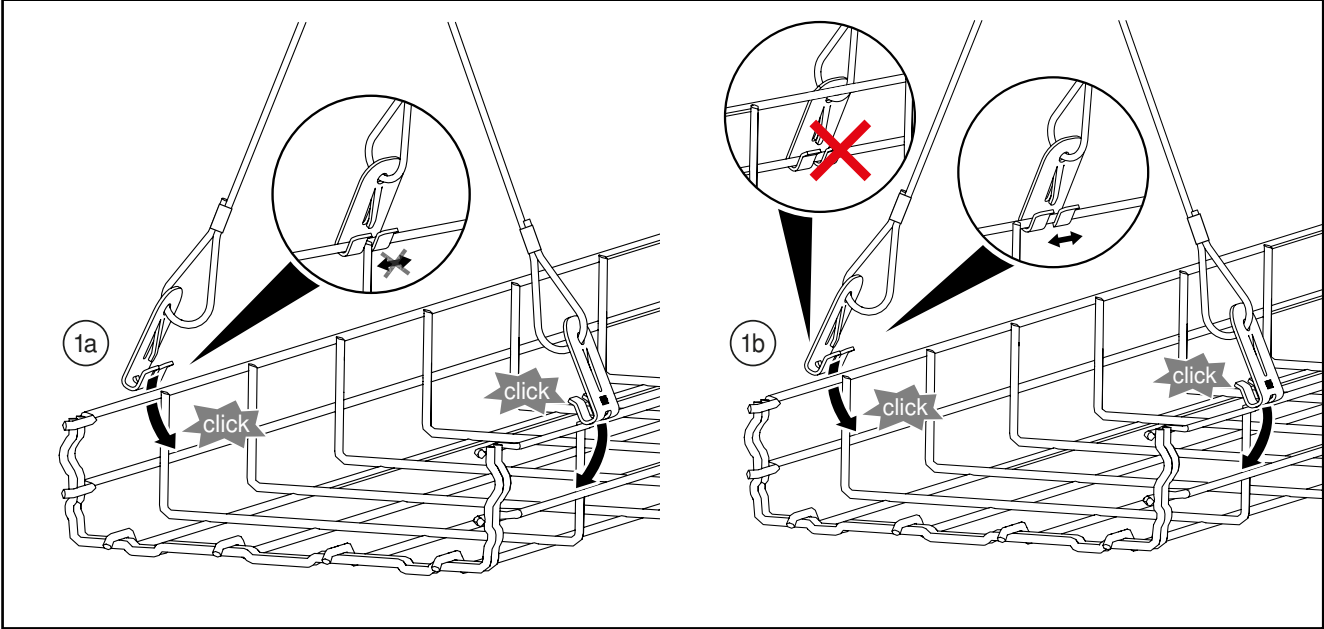


Fig. 14: Attaching the universal bracket to the mesh cable tray

ATTENTION

Risk of damage!

If the universal bracket is not attached to the top lengthwise wire, then the Quick Wire support cable can be damaged by the top edge of the mesh cable tray. Always attach the universal bracket to the top lengthwise wire.

- 1a. Attach the universal bracket to the left and right of a transverse wire of the mesh cable tray. The mesh cable tray cannot be moved in the bracket.
- 1b. Attach the universal bracket to the lengthwise wire between 2 transverse wires. The mesh cable tray can be moved in the bracket.

5.11.3 Suspending a Y suspension from a mesh cable tray

A suspension from existing mesh cable trays can be created using the Y suspension for mesh cable trays. The Y suspension can be attached in a lengthwise or transverse manner on the base of the mesh cable tray:

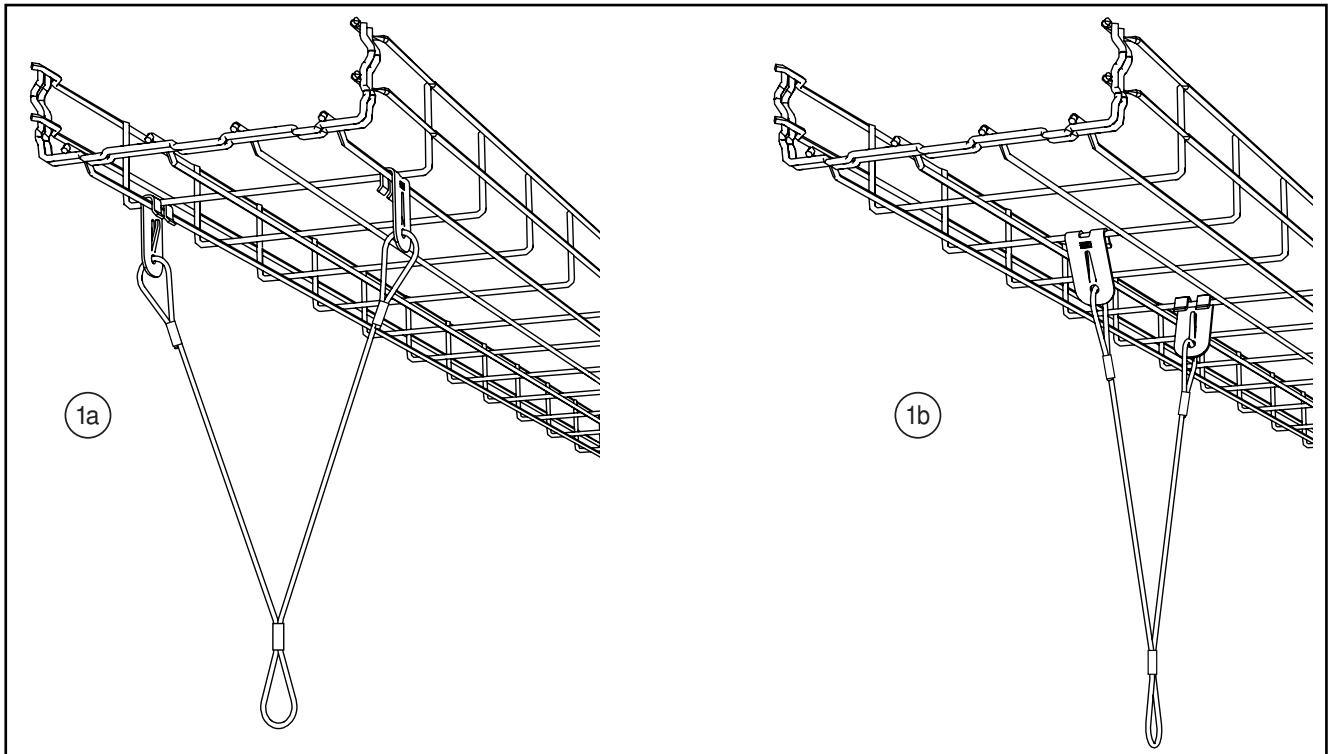


Fig. 15: Creating a suspension from a mesh cable tray

- 1a. Attach the universal bracket to the lengthwise wires on the base of the mesh cable tray.
- 1b. Attach the universal bracket to the transverse wires on the base of the mesh cable tray.

Note! *The universal bracket can either be attached in such a way that the bracket is fixed or such that it can be moved between the lengthwise and transverse wires.*

5.11.4 Mounting a universal bracket to a mesh cable tray

The universal bracket for mesh cable trays can be used for the fastening of other components to mesh cable trays, e.g. cable, pipe and spacer clip 733 or junction boxes:

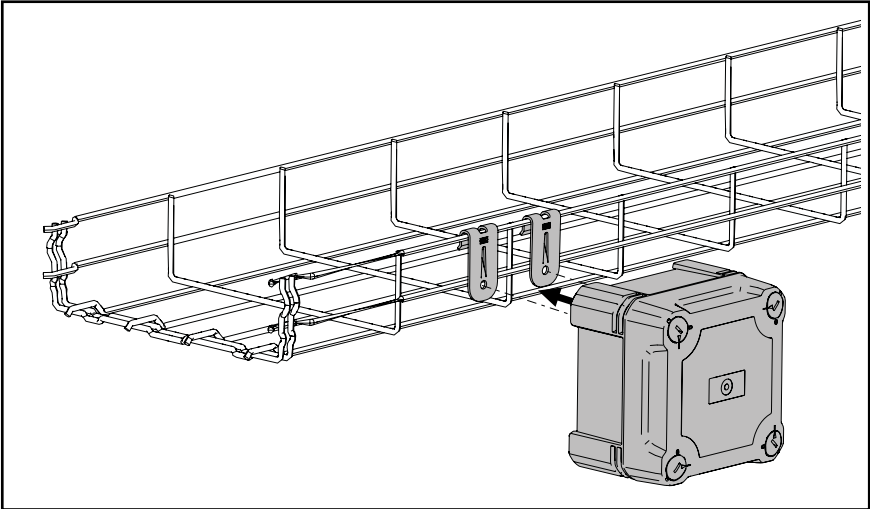


Fig. 16: Mounting the junction box with 2 universal brackets on a mesh cable tray

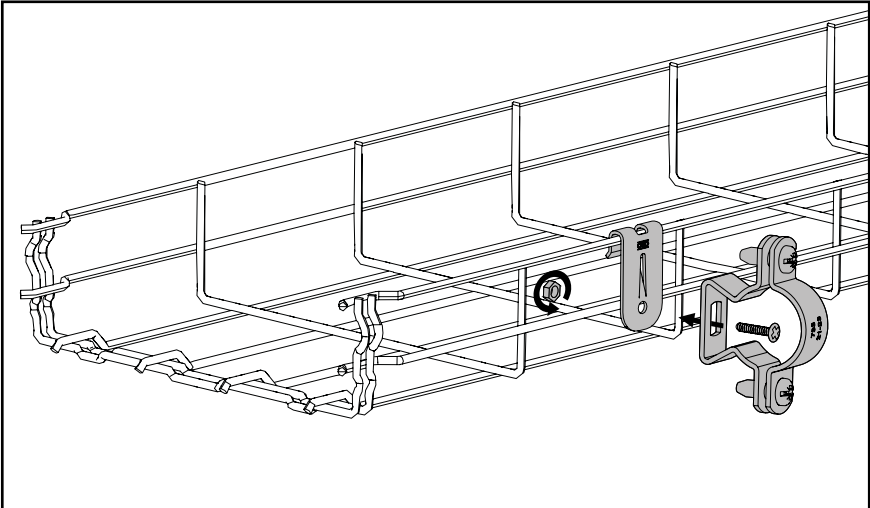


Fig. 17: Mounting the cable, pipe and spacer clip to the universal bracket

5.12 Mounting Quick Wire for cable trays

5.12.1 Fastening a Y suspension

The scope of delivery does not contain the matching fastening material. Before mounting, select and mount suitable fastening materials or support structures (e.g. ceiling hook, trigger hook or other Quick Wire variants).

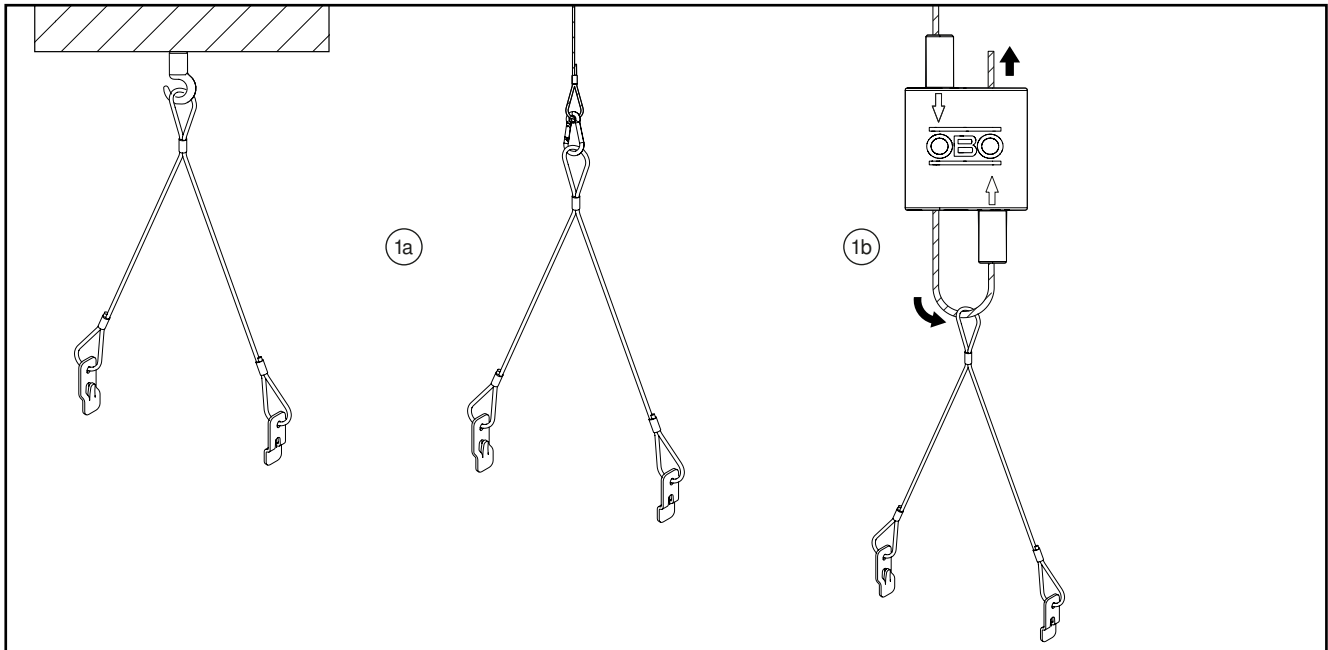


Fig. 18: Fastening of the Y suspension

- 1a. Attach the Y suspension for cable trays to existing support structures.
- 1b. Suspend the Y suspension for cable trays with a Quick Wire variant (see also Chapter 5.2–5.9).

5.12.2 Attaching a cable tray to a Y suspension

Note! Observe the maximum support spacings of the cable tray.

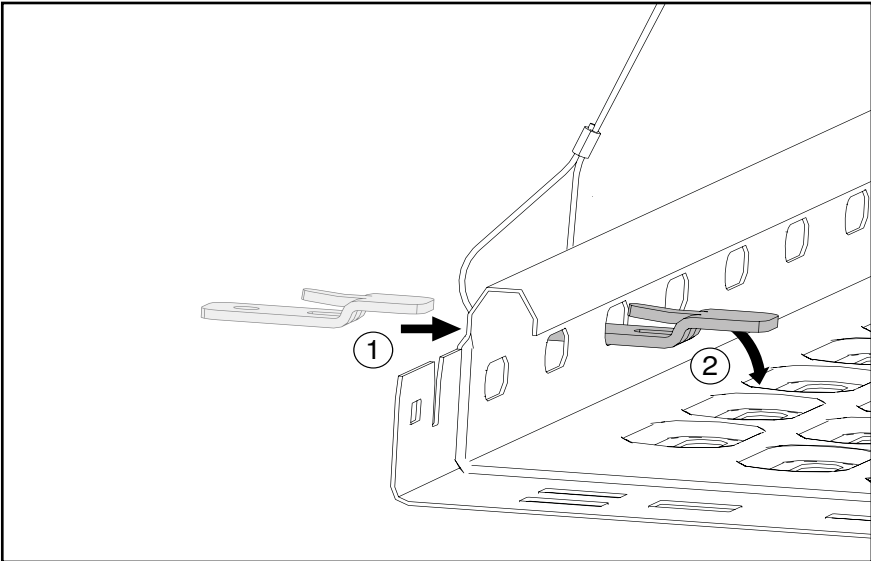


Fig. 19: Attaching a universal bracket in a cable tray

ATTENTION

Risk of damage!

The Quick Wire support cable can be damaged by the top edge of the cable tray. Use the top side perforation to attach the cable tray.

- 1. Push the universal bracket through the side perforation of the cable tray from the outside.
- 2. Fold the universal bracket upwards.

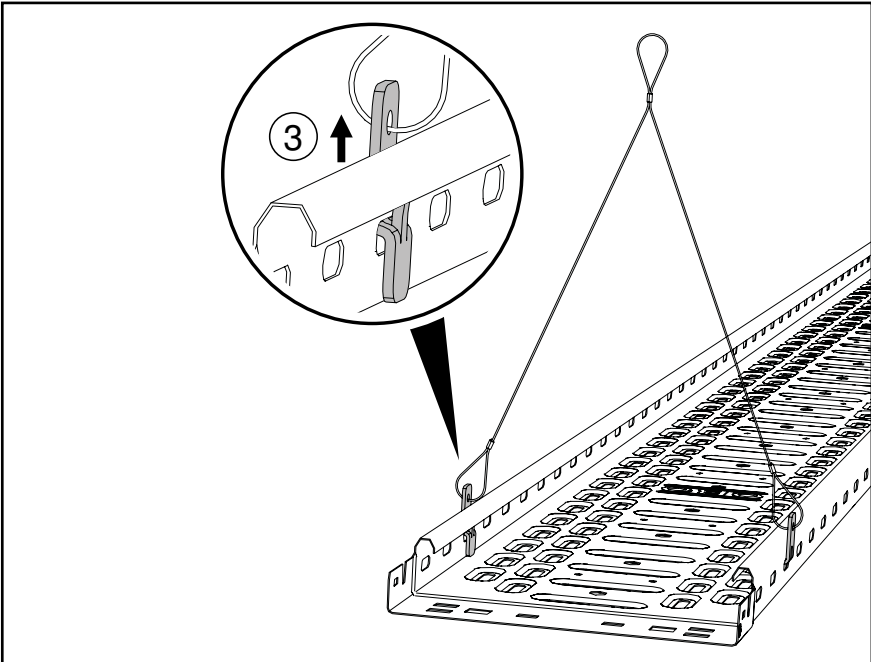


Fig. 20: Attaching the universal bracket to the cable tray

- 3. Pull the universal bracket upwards, so that it is flat against the cable tray.

5.12.3 Suspending a Y suspension from a cable tray

A suspension from existing cable trays can be created using the Y suspension for cable trays.

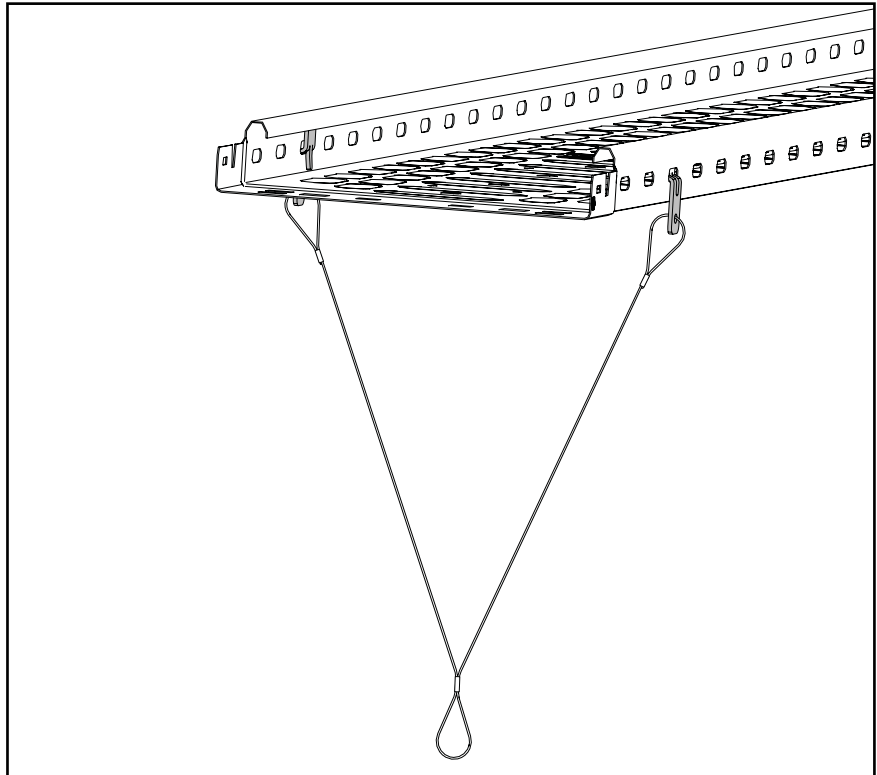


Fig. 21: Creating a suspension from a cable tray

ATTENTION

Risk of damage!

The Quick Wire support cable can be damaged by the lower edge of the cable tray.

Use the lowest side perforation for the suspension.

1. Push the universal bracket through the side perforation.
2. Fold the universal bracket downwards.
3. Pull the universal bracket downwards, so that it is flat against the cable tray.

5.13 Mounting a universal bracket on a cable tray

The universal bracket for cable trays can be used for the fastening of other components to cable trays, e.g. cable, pipe and spacer clip 733:

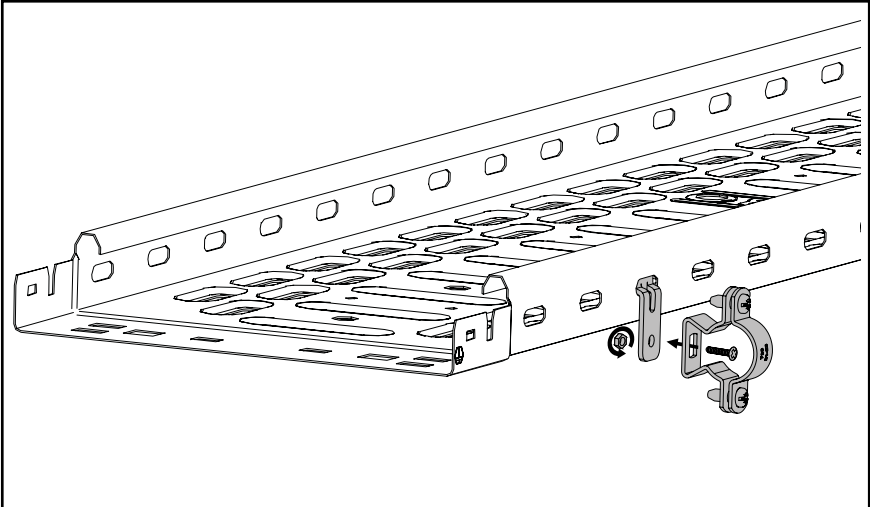


Fig. 22: Mounting the cable, pipe and spacer clip to the universal bracket

5.14 Cutting the support cable to size

The Quick Wire support cable from the Quick Wire sets and on a coil must be cut to size before use.

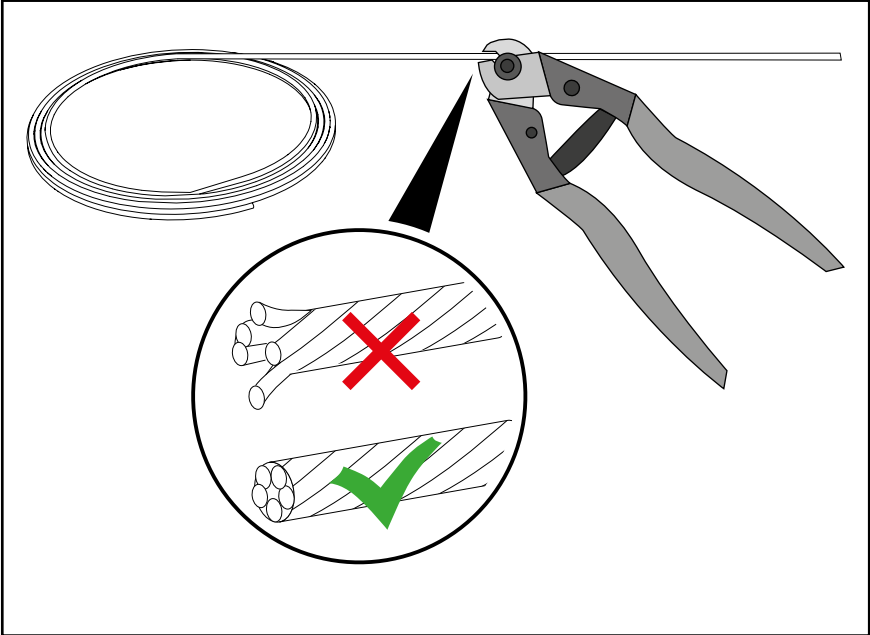


Fig. 23: Cutting the support cable to size

- 1. Using the wire cable cutter (item no. 1450099), cut the support cable to the desired length.
- 2. Check the ends of the support cables.

6 Maintaining the Quick Wire system

Carry out a regular visual inspection of the Quick Wire system. Pay particular attention to the following and repair or exchange damaged parts if necessary:

- Damage to the cable, e.g. cracks or deformations
- Damage to the cable gripper, e.g. cracks
- Safe fit of the cable gripper and function of the adjustment mechanism

7 Dismantling the Quick Wire system

Dismantling of all the elements of the Quick Wire system takes place in the reverse order to mounting.

8 Disposing of the Quick Wire system

- Metallic parts: As scrap metal
- Packaging: As household waste

Comply with the local waste disposal regulations.

9 Technical data

Type	Ending	Ø mm	Length m	Material	Max. operating load	Maintenance of the electrical supply	Article no.
Support cable with loop							
QWT S 1 1M G	Loop	1	1	G	10 kg	1450120	1450100
QWT S 1 2M G	Loop	1	2	G	10 kg	1450121	1450101
QWT S 1 3M G	Loop	1	3	G	10 kg	1450122	1450102
QWT S 1 5M G	Loop	1	5	G	10 kg	1450123	1450103
QWT S 1 10M G	Loop	1	10	G	10 kg	1450124	1450104
QWT S 2 1M G	Loop	2	1	G	45 kg	1450125	1450105
QWT S 2 2M G	Loop	2	2	G	45 kg	1450126	1450106
QWT S 2 3M G	Loop	2	3	G	45 kg	1450127	1450107
QWT S 2 5M G	Loop	2	5	G	45 kg	1450128	1450108
QWT S 2 10M G	Loop	2	10	G	45 kg	1450129	1450109
QWT S 3 1M G	Loop	3	1	G	90 kg	1450130	1450110
QWT S 3 2M G	Loop	3	2	G	90 kg	1450132	1450111
QWT S 3 3M G	Loop	3	3	G	90 kg	1450133	1450112
QWT S 3 5M G	Loop	3	5	G	90 kg	1450134	1450113
QWT S 3 10M G	Loop	3	10	G	90 kg	1450135	1450114
Support cable for mesh cable tray							
QW GR 1 200 G	Mesh cable tray	1	200	G	10 kg	1450200	1450200
QW GR 2 200 G	Mesh cable tray	2	200	G	45 kg	1450201	1450201
QW GR 3 200 G	Mesh cable tray	3	200	G	90 kg	1450202	1450202
QW GR 2 400 G	Mesh cable tray	2	400	G	45 kg	1450203	1450203
QW GR 3 400 G	Mesh cable tray	3	400	G	90 kg	1450204	1450204
Support cable for cable tray							
QW KR 1 200 G	Cable tray	1	200	G	10 kg	1450300	1450300
QW KR 2 200 G	Cable tray	2	200	G	45 kg	1450301	1450301
QW KR 3 200 G	Cable tray	3	200	G	90 kg	1450302	1450302
QW KR 2 400 G	Cable tray	2	400	G	45 kg	1450303	1450303
QW KR 3 400 G	Cable tray	3	400	G	90 kg	1450304	1450304
Support cable with universal bracket							
QWT UW 1 1M G	Universal bracket	1	1	G	10 kg	1450420	1450400
QWT UW 1 2M G	Universal bracket	1	2	G	10 kg	1450421	1450401
QWT UW 1 3M G	Universal bracket	1	3	G	10 kg	1450422	1450402
QWT UW 1 5M G	Universal bracket	1	5	G	10 kg	1450423	1450403
QWT UW 1 10M G	Universal bracket	1	10	G	10 kg	1450424	1450404
QWT UW 2 1M G	Universal bracket	2	1	G	45 kg	1450425	1450405
QWT UW 2 2M G	Universal bracket	2	2	G	45 kg	1450426	1450406
QWT UW 2 3M G	Universal bracket	2	3	G	45 kg	1450427	1450407
QWT UW 2 5M G	Universal bracket	2	5	G	45 kg	1450428	1450408
QWT UW 2 10M G	Universal bracket	2	10	G	45 kg	1450429	1450409

Technical data

Type	Ending	Ø mm	Length m	Material	Max. operating load	Maintenance of the electrical supply	Article no.
QWT UW 3 1M G	Universal bracket	3	1	G	90 kg	1450430	1450410
QWT UW 3 2M G	Universal bracket	3	2	G	90 kg	1450431	1450411
QWT UW 3 3M G	Universal bracket	3	3	G	90 kg	1450432	1450412
QWT UW 3 5M G	Universal bracket	3	5	G	90 kg	1450433	1450413
QWT UW 3 10M G	Universal bracket	3	10	G	90 kg	1450434	1450414
Support cable with eye screw							
QWT AS 1 1M G	Eye screw	1	1	G	10 kg	1450520	1450500
QWT AS 1 2M G	Eye screw	1	2	G	10 kg	1450521	1450501
QWT AS 1 3M G	Eye screw	1	3	G	10 kg	1450522	1450502
QWT AS 1 5M G	Eye screw	1	5	G	10 kg	1450523	1450503
QWT AS 1 10M G	Eye screw	1	10	G	10 kg	1450524	1450504
QWT AS 2 1M G	Eye screw	2	1	G	45 kg	1450525	1450505
QWT AS 2 2M G	Eye screw	2	2	G	45 kg	1450526	1450506
QWT AS 2 3M G	Eye screw	2	3	G	45 kg	1450527	1450507
QWT AS 2 5M G	Eye screw	2	5	G	45 kg	1450528	1450508
QWT AS 2 10M G	Eye screw	2	10	G	45 kg	1450529	1450509
QWT AS 3 1M G	Eye screw	3	1	G	90 kg	1450530	1450510
QWT AS 3 2M G	Eye screw	3	2	G	90 kg	1450531	1450511
QWT AS 3 3M G	Eye screw	3	3	G	90 kg	1450532	1450512
QWT AS 3 5M G	Eye screw	3	5	G	90 kg	1450533	1450513
QWT AS 3 10M G	Eye screw	3	10	G	90 kg	1450534	1450514
Support cable with support clamp							
QWT TK 1 1M G	Support clamp	1	1	G	10 kg	1450620	1450600
QWT TK 1 2M G	Support clamp	1	2	G	10 kg	1450621	1450601
QWT TK 1 3M G	Support clamp	1	3	G	10 kg	1450622	1450602
QWT TK 1 5M G	Support clamp	1	5	G	10 kg	1450623	1450603
QWT TK 1 10M G	Support clamp	1	10	G	10 kg	1450624	1450604
QWT TK 2 1M G	Support clamp	2	1	G	45 kg	1450625	1450605
QWT TK 2 2M G	Support clamp	2	2	G	45 kg	1450626	1450606
QWT TK 2 3M G	Support clamp	2	3	G	45 kg	1450627	1450607
QWT TK 2 5M G	Support clamp	2	5	G	45 kg	1450628	1450608
QWT TK 2 10M G	Support clamp	2	10	G	45 kg	1450629	1450609
Support cable with trapezoidal plate hook							
QWT TH 1 1M G	Trapezoidal plate hook	1	1	G	10 kg	1450720	1450700
QWT TH 1 2M G	Trapezoidal plate hook	1	2	G	10 kg	1450721	1450701
QWT TH 1 3M G	Trapezoidal plate hook	1	3	G	10 kg	1450722	1450702
QWT TH 1 5M G	Trapezoidal plate hook	1	5	G	10 kg	1450723	1450703
QWT TH 1 10M G	Trapezoidal plate hook	1	10	G	10 kg	1450724	1450704

Type	Ending	Ø mm	Length m	Material	Max. operating load	Maintenance of the electrical supply	Article no.
QWT TH 2 1M G	Trapezoidal plate hook	2	1	G	45 kg	1450725	1450705
QWT TH 2 2M G	Trapezoidal plate hook	2	2	G	45 kg	1450726	1450706
QWT TH 2 3M G	Trapezoidal plate hook	2	3	G	45 kg	1450727	1450707
QWT TH 2 5M G	Trapezoidal plate hook	2	5	G	45 kg	1450728	1450708
QWT TH 2 10M G	Trapezoidal plate hook	2	10	G	45 kg	1450729	1450709
Support cable with trigger hook							
QWT SK 1 1M G	Trigger hook	1	1	G	10 kg	1450820	1450800
QWT SK 1 2M G	Trigger hook	1	2	G	10 kg	1450821	1450801
QWT SK 1 3M G	Trigger hook	1	3	G	10 kg	1450822	1450802
QWT SK 1 5M G	Trigger hook	1	5	G	10 kg	1450823	1450803
QWT SK 1 10M G	Trigger hook	1	10	G	10 kg	1450824	1450804
QWT SK 2 1M G	Trigger hook	2	1	G	45 kg	1450825	1450805
QWT SK 2 2M G	Trigger hook	2	2	G	45 kg	1450826	1450806
QWT SK 2 3M G	Trigger hook	2	3	G	45 kg	1450827	1450807
QWT SK 2 5M G	Trigger hook	2	5	G	45 kg	1450828	1450808
QWT SK 2 10M G	Trigger hook	2	10	G	45 kg	1450829	1450809
QWT SK 3 1M G	Trigger hook	3	1	G	90 kg	1450830	1450810
QWT SK 3 2M G	Trigger hook	3	2	G	90 kg	1450831	1450811
QWT SK 3 3M G	Trigger hook	3	3	G	90 kg	1450832	1450812
QWT SK 3 5M G	Trigger hook	3	5	G	90 kg	1450833	1450813
QWT SK 3 10M G	Trigger hook	3	10	G	90 kg	1450834	1450814
Support cable with ring eyelet							
QWT RO 1 1M G	Ring eyelet	1	1	G	10 kg	1450920	1450900
QWT RO 1 2M G	Ring eyelet	1	2	G	10 kg	1450921	1450901
QWT RO 1 3M G	Ring eyelet	1	3	G	10 kg	1450922	1450902
QWT RO 1 5M G	Ring eyelet	1	5	G	10 kg	1450923	1450903
QWT RO 1 10M G	Ring eyelet	1	10	G	10 kg	1450924	1450904
QWT RO 2 1M G	Ring eyelet	2	1	G	45 kg	1450925	1450905
QWT RO 2 2M G	Ring eyelet	2	2	G	45 kg	1450926	1450906
QWT RO 2 3M G	Ring eyelet	2	3	G	45 kg	1450927	1450907
QWT RO 2 5M G	Ring eyelet	2	5	G	45 kg	1450928	1450908
QWT RO 2 10M G	Ring eyelet	2	10	G	45 kg	1450929	1450909
QWT RO 3 1M G	Ring eyelet	3	1	G	90 kg	1450930	1450910
QWT RO 3 2M G	Ring eyelet	3	2	G	90 kg	1450931	1450911
QWT RO 3 3M G	Ring eyelet	3	3	G	90 kg	1450932	1450912
QWT RO 3 5M G	Ring eyelet	3	5	G	90 kg	1450933	1450913
QWT RO 3 10M G	Ring eyelet	3	10	G	90 kg	1450934	1450914

Technical data

Type	Ending	Ø mm	Length m	Material	Max. operating load	Maintenance of the electrical supply	Article no.
Accessories							
QWT 2 Set 1	Set	2	25	G	45 kg	1450092	1450090
QWT 1.5 Set 1	Set	1,5	150	G	45 kg	1450094	1450091
QWT 2 Set 2	Set	2	25	G	45 kg	1450093	1450093
QWT 1.5 Set 2	Set	1,5	150	G	45 kg	1450095	1450095
QW R 1 100 G	Support cable	1	100	G	10 kg	1450020	1450020
QW R 2 100 G	Support cable	2	100	G	45 kg	1450021	1450021
QW R 3 100 G	Support cable	3	100	G	90 kg	1450022	1450022
QWT CG 1 ALU	Cable gripper	1		Alu	10 kg	1450004	1450001
QWT CG 2 ALU	Cable gripper	2		Alu	45 kg	1450005	1450002
QWT CG 3 ALU	Cable gripper	3		Alu	90 kg	1450006	1450003
QW DS 3	Wire cable cutter					1450099	1450099

OBO Bettermann Holding GmbH & Co. KG

P.O. Box 1120
58694 Menden
GERMANY

Customer Service Germany

Tel.: +49 2371 7899-2000
Fax: +49 2371 7899-2500
export@obo.de

www.obo-bettermann.com

OBOARD 190623 Stand 05/2021

Building Connections

