

ORIUM Pilot

Pilot for HTi⁷⁰ heat pumps

Technical installation manual



Pilote ORIUM
For heat pump
Réf. 753005



The information contained in this document is non-contractual. We reserves the right to modify the technical specific cations or characteristics of any of their appliances without prior notice.

Manual ref : 1899001
Edition : 25.21

**Made
in France**



TABLE OF CONTENTS

1 - SAFETY	4
2 - PLEASE READ IMMEDIATELY	6
2.1 - Conservation of documents	6
2.2 - Symbols used	6
2.3 - Abbreviations and acronyms.....	6
2.4 - Delivery terms and conditions.....	6
2.5 - Storage and transport.....	6
2.6 - Unpacking	6
2.7 - Rating plate.....	6
2.8 - End of life of the appliance.....	6
3 - INTRODUCTION	7
3.1 - General information	7
3.2 - Packaging	7
3.3 - Accessories (included)	7
3.4 - Accessories available as optional extras.....	7
3.4.1 - Installation	7
3.4.2 - Control.....	7
3.5 - Choosing and accounting for room controllers	8
3.5.1 - ORIUM pilot	8
3.5.2 - ORIUM 3S pilot.....	8
3.6 - Operating principles.....	8
4 - INSTALLATION.....	9
4.1 - Placement choice.....	9
4.1.1 - Appropriate placement choice.....	9
4.1.2 - Integration	9
4.2 - Hydraulic installation.....	9
4.2.1 - Recommendations.....	9
4.2.1.1 - Back-flow prevention device	9
4.2.1.2 - Cross sections, purging of the heating circuits.....	9
4.2.1.3 - Desludging tank.....	9
4.2.1.4 - Preparing the hydraulic circuit (rinsing)	9
4.2.1.5 - Expansion vessel	9
4.2.1.6 - Frost Protection	9
4.2.1.7 - Underfloor heating.....	10
4.2.1.8 - Thermostatic valves.....	10
4.2.1.9 - Treatment of the water in the heating circuit.....	10
4.2.1.9.1 - Filling water.....	10
4.2.1.9.2 - Treatment of the heating circuit.....	10
4.2.1.9.3 - Purging the installation	10
4.2.1.9.4 - Connecting the pressure relief valve	11
4.2.2 - Hydraulic connections.....	12
4.2.2.1 - Installation of control devices to balance the hydraulic network	13
4.2.2.2 - Circulator degumming.....	13
4.2.2.3 - Heating circuit + DHW circuit connection	13
4.3 - Electrical connections	13
4.3.1 - Power supply connection.....	14
4.4 - Connection to the Heat pump and to the accessories for control	15
4.4.1 - Control connection towards the Heat pump.....	15
4.4.2 - Ambient temperature control.....	15
4.4.3 - Exterior sensor	16
4.4.4 - Domestic water sensor	16
4.4.5 - Underfloor safety device of the 65°C safety aquastat (OPT) with manual reset.....	16
5 - SET-UP	16
5.1 - Before set-up.....	16
5.2 - Check watertightness.....	16
5.3 - Starting set-up	17
5.4 - Step 1: Circuit choice	17
5.5 - Step 2: Filling	17
5.6 - Step 3: Purging the installation	17
5.7 - Step 4 : Choosing the back-up	17
5.8 - Step 5: Finishing set-up	17
5.9 - First use.....	17
6 - SETTINGS AND FUNCTIONS	18
6.1 - Control panel.....	18
6.1.1 - Keypad.....	18
6.1.2 - Display	18
6.2 - Menus	19
6.3 - Actions to be activated using a combination of buttons....	19
6.4 - List of parameters which can be set	20
6.5 - Description of functionalities.....	22
6.5.1 - Functions related to heating	22
6.5.1.1 - AUTO temperature (heat curve)	22
6.5.1.2 - Lowering of the temperature	22
6.5.1.3 - Auto-adaptability.....	22
6.5.1.4 - Ambient temperature reactivity.....	22
6.5.2 - Programming and time-out functions	22
6.5.2.1 - Anticipation of return from holiday	22
6.5.2.2 - Automatic summer/winter changeover.....	23
6.5.3 - Ambient temperature and heating circulation control functions.....	23
6.5.3.1 - Ambient temperature sensor hysteresis.....	23
6.5.3.2 - Circulator pump speed	23
6.5.3.3 - Heating circulator control.....	23
6.5.3.4 - Anti-cold radiators.....	23
6.5.4 - Functions related to the production of domestic hot water	23
6.5.4.1 - Domestic priority sharing	23
6.5.4.2 - Anti-legionellosis protection	23
6.6 - Heat pump circulator speed	23
7 - MAINTENANCE AND TROUBLESHOOTING. 23	
7.1 - Maintenance.....	24
7.2- Diagnostics.....	24
7.2.1 - Loading the operating history.....	24
7.2.2 - Consulting the current operating state of the system.....	24
7.2.3 - Water sensors.....	25
7.2.4 - Exterior sensor	25
7.2.5 - Consulting the counters.....	25
7.2.6 - Manual forcing of components.....	25
7.2.6.1 - Circulator pump	25
7.2.6.2 - 3-way valve.....	25
7.2.6.3 - Electrical back-up.....	25
7.2.7 - Errors indicated by the pilot	26

8 - SPARE PARTS 30

8.1 - ORIUM Pilot.....	30
8.2 - Hydraulic block.....	31

9 - WARRANTY 33

9.1 - Warranty coverage	33
9.2 - Limitations of warranty.....	33
9.2.1 - General information	33
9.2.2 - Cases (not limited to) for exclusion from warranty	33
9.2.2.1 - Usages.....	33
9.2.2.2 - Handling.....	33
9.2.2.3 - Installation site.....	33
9.2.2.4 - Electrical connections	33
9.2.2.5 - Hydraulic connections	33
9.2.2.6 - Accessories.....	33
9.2.2.7 - Maintenance.....	33

APPENDICES 34

A1 - Technical specifications.....	34
A1.1 - General characteristics	34
A1.2 - EU declaration	34
A1.3 - Dimensions.....	34
A2 - Hydraulic connections between the pilot and the heat pumps.....	34
A3 - Hydraulic schematic diagrams	35
A3.1 - ORIUM Pilot	35
A3.1.1 - Connection of 1 radiator circuit	35
A3.1.2 - Connection of 1 underfloor heating circuit	35
A3.1.3 - Connection of 1 radiator circuit and 1 DHW circuit	36
A3.1.4 - Connection of 1 underfloor heating circuit and 1 DHW circuit....	36
A3.1.5 - Connection of 2 radiator circuits	37
A3.1.6 - Connection of 2 underfloor heating circuits	37
A3.1.7 - Connection of 1 radiator circuit and 1 underfloor heating circuit....	38
A3.1.8 - Connection of 1 radiator circuit, 1 underfloor heating circuit and 1 DHW circuit	38
A3.1.9 - Connection of 2 radiator circuits and 1 DHW circuit	39
A3.1.10 - Connection of 2 underfloor heating circuits and 1 DHW circuit...39	
A3.2 - ORIUM 3S Pilot	40
A3.2.1 - Connection of 1 underfloor heating circuit	40
A3.2.2 - Connection of 1 underfloor heating circuit and 1 DHW circuit....	40
A3.2.3 - Connection of 1 fan coils unit	41
A3.2.4 - Connection of 1 fan coils unit and 1 DHW circuit.....	41
A4 - Wiring diagram.....	42
A5 - Recap of functions	43
A5.1 - Control panel.....	43
A5.1.1 - Keypad.....	43
A5.1.2 - Display.....	43
A5.2 - Menus.....	44
A5.3 - Actions to be activated using a combination of buttons.....	44
A6 - Product technical information sheet	45
A6.1 - ORIUM Pilot with HTi ⁷⁰ 6 kW mono heat pump.....	45
A6.2 - ORIUM Pilot with HTi ⁷⁰ 6 kW mono /2 heat pump	46
A6.3 - ORIUM Pilot with HTi ⁷⁰ 8 kW mono heat pump.....	47
A6.4 - ORIUM Pilot with HTi ⁷⁰ 8 kW mono /2 heat pump	48
A6.5 - ORIUM Pilot with HTi ⁷⁰ 8 kW tri heat pump	49
A6.6 - ORIUM Pilot with HTi ⁷⁰ 8 kW tri /2 heat pump.....	50

1 - SAFETY

Danger resulting from improper qualifications

- Any work carried out by an unqualified person can result in damage to the installation or in physical injury.
- Do not perform maintenance on this appliance unless you are a qualified professional.
- If the appliance is malfunctioning or not working, cut the electricity supply to the electrical components and seek advice from a qualified professional.

Danger resulting from improper use

This appliance should not be used by anyone (including children under the age of 8 years old) with reduced physical, sensory or mental capabilities, or by anyone with insufficient experience or knowledge of the appliance; unless they are being supervised by someone who is responsible for their safety and in possession of the operating instructions of the appliance, or if they have been instructed in the proper use and in the risks of operating the appliance.

Children must not play with the appliance. Cleaning and maintenance of the appliance must not be undertaken by children without supervision.

Applicable areas of use

The appliance is intended for use as an appliance for the production of domestic hot water: it must be connected to a heating installation, and while complying with the instructions, connected to the drinking water network.

The intended use of the appliance includes the following points:

- Following the instructions for operating, installing and maintaining this appliance and all of its components.
- Ensuring the compliance of the appliance to all inspection and maintenance conditions which are listed in this manual.

Danger of death by electrocution

- Touching live electrical wires can cause severe bodily injury, and lead to death by electrocution. All installation and maintenance work must be carried out with the appliance switched off and by a qualified professional. Before carrying out any work on the appliance:
 - Cut-off the electricity supply.
 - Ensure that there is no possibility of the power supply becoming active again.
 - Wait at least 5 minutes for the capacitors to lose their charge.
- Do not get water on any of the control or electrical components. Always disconnect the appliance from the electricity supply before carrying out work on any of the electrical components.

Danger of death if the pressure relief valves are missing or defective

A defective pressure relief valve may prove dangerous and could lead to burns or other injuries by, for example, the pipes bursting.

The information presented in this document does not contain all of the schematic diagrams needed for a professional installation of the pressure relief valves.

- Install the necessary pressure relief valves on the circuit.
- Inform the user concerning the function and the placement of the pressure relief valves.
- Respect all applicable national and international regulations, standards and decrees.

Risk of corrosion

The appliance should be installed in an area where it is not exposed to humidity and without any risk of being splashed by water.

Risk of damage related to frost

The pilot MUST be installed in an area where it is not subject to frost or freezing.

Risk of material damage

The pilot can only work when filled with water. Never switch on the appliance if it is not completely filled with water and purged of air.

Rules and regulations (decrees, standards, laws)

Once the appliance is installed and switched on, all decrees, directives, technical rules, safety measures and standards, must be respected in their current version in effect.

The electrical supply must conform to all applicable regulations in the country of installation, as well as the NFC 15-100 standard.

- A method of disconnection ensuring a complete cut-off must be installed in the fixed piping to conform to installation regulations (do not use a movable outlet).
- Protect the appliance with a 2-pole circuit breaker with a minimum contact opening of 3mm and must be grounded.
- The devices for electrical cut-off must remain accessible.
- Water and/or R290 flammable gas can flow through the discharge pipe of the pressure limiting device (safety valve). This pipe must be kept open outside the building. The end of this pipe must be placed downwards (see § Connecting the pressure relief valve).
- The safety valve is mounted on the hydraulic block. Make sure that the drain is in the right direction to prevent water from splashing onto the electrical components.

Maintenance - Troubleshooting

Maintenance and cleaning of the pilot must be carried out at least once a year by a qualified professional.

2 - PLEASE READ IMMEDIATELY

This technical installation manual forms part of the appliance which it refers to. In order for the warranty to be valid, the instructions must be read prior to using the appliance.

The safety advice and instructions provided in this manual must be strictly respected.

Our society is not liable for any damages caused from not following the instructions provided, or improper handling, installation or use.

This technical installation manual can be modified without prior notice.

2.1 - Conservation of documents

This manual must be safeguarded and passed on to successive users for future reference.

It will be considered as evidence in case of litigation.

2.2 - Symbols used



Indicates warnings and important recommendations.



Consult the installation manual before any intervention on the product, before handling, installation, use, and maintenance.



Contains regulated substances, do not throw in the garbage. If disposing, please respect all regulations pertaining to the recovery of electric and electronic equipment.



Indicates the maximum water temperature in operation.



Heat power output produced.

PS max Maximum working pressure.

2.3 - Abbreviations and acronyms

DHW Domestic Hot Water
 DCW Domestic Cold Water
 T° Temperature
 HP Heat pump

2.4 - Delivery terms and conditions

In general, the material is transported at the recipient's own risk.

It is important to ensure that all components have been received and that no damage has been sustained during transport upon receipt of the appliance, and before beginning the installation procedures.

2.5 - Storage and transport

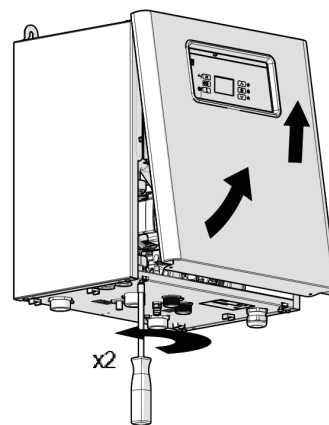
Admissible storage and transport temperatures are from -20°C to +60°C.

The **ORIUM Pilot** must be stored and transported horizontally in its original cardboard packaging and empty of water.

2.6 - Unpacking

On reception of the pilot, check the state of the cardboard packaging as well as the general state of the product, and remove it from its cardboard box.

Opening the front panel of the **ORIUM Pilot** allows you to access the electrical terminal for connection to the electrical supply and to the different control components.

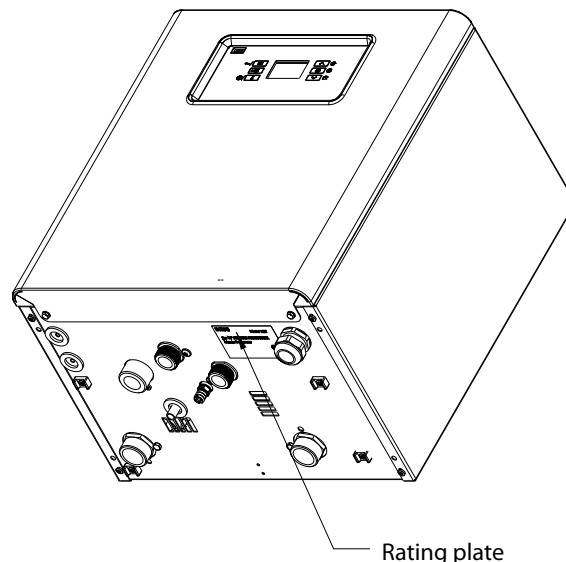


1- To remove the front panel, unscrew the two TH7 screws which are located on both sides underneath the pilot.

2- Pull the base of the front panel forwards, and lift the panel to unhook the pegs located at the top of the pilot.

To replace the front panel, retake the pegs in place at the top of the pilot, replace the panel back into position and screw the two TH7 screws back in.

2.7 - Rating plate



2.8 - End of life of the appliance



Our products are designed and manufactured using components made of recyclable materials.

The appliance must never, in any case, be disposed of with household waste, or in a dump.



The dismantling and recycling of the appliances must be taken charge of by a qualified professional and in compliance with all local and national standards in effect.

3 - INTRODUCTION

3.1 - General information

The **ORIAM Pilot** is a hydraulic pilot which ensures the control of a heating circuit and -depending on the options selected- the production of domestic hot water and cooling for the household.



The cooling mode must only be activated if the cooling kit (Ref. 754602) is installed.

If it is not fitted, the manufacturer cannot be held responsible for any consequences.

The **ORIAM Pilot** is meant to be connected to a **HTi⁷⁰ 6 kW or 8 kW** heat pump.

Equipments	ORIAM
Electrical resistance of the back-up	6 kW
Expansion vessel	5 litres
Electronic control taking charge of the optimal management of the installation	●
Essential components for the protection of the hydraulic circuits (pressure relief valves, automatic purgers, pressure sensors)	●
Scheduled programming of the comfort mode for the 7 days of the week using programmable ranges	●

The **ORIAM Pilot** is delivered ready to use in its factory configuration (see «Commissioning»).

This configuration allows simplified start-up, with factory settings and without the need for certain adjustments.

Nevertheless, commissioning is strongly recommended, as it enables the most appropriate use to be made of the installation. This configuration and these settings can be modified in the expert menu.

3.2 - Packaging

	Weight (kg)	Number of packages	L (mm)	H (mm)	P (mm)
ORIAM Pilot	26	1	435	360	546

3.3 - Accessories (included)

The **ORIAM Pilot** is delivered with (non-mounted) :

• Exterior sensor

Allows to adapt the heating temperature to the outside climate.



• USB memory stick

Allows you to take the operating history.



Ensure to keep the original delivered USB flash drive.

It will facilitate your exchanges with your technical contacts

• Cooling kit

Allows to lower the ambient temperature during periods of heat. Only for references with HTi⁷⁰ reversible heat pump (Ref. 155309, 155319 and 155359). (Ref. 754602)

• Ambient temperature sensor (SA)

2 wires - allows to control the temperature of the heating zone on a variety of comfort levels (programmable from the pilot). (Ref. 751009)



3.4 - Accessories available as optional extras

3.4.1 - Installation

• PEJ 200 and PEJ 270

Multi-position, soft-insulated stainless steel DHW tanks.
200 L : Ref. 341111
270 L : Ref. 341106

3.4.2 - Control

• Ambient temperature thermostat (TA) *

2 wires - allows to control the temperature in the heating zone. (Ref. 710043)



• Ambient temperature thermostat radio non-chronoproportional -(TH^{Rnc})- *

Wireless - on/off type, programmable thermostat, transmitting through radio-frequency. Necessary when a wired connection between the Pilot and the ambient temperature thermostat is not possible. (Ref. 770001)

• DHW sensor

For the production of domestic hot water (Ref. 710029)

• Overheating protection thermostat for underfloor

Underfloor heating temperature limiter to ensure the underfloor heating system protection against overheating. (Ref. 710111)

• Thermo-Net gateway

Communication gateway for remote comfort control via an Internet box. (Ref. 770002)

* Room thermostat cannot be used for the cooling function.

3.5 - Choosing and accounting for room controllers

3.5.1 - ORIUM pilot

Controller compatibility table by heating zone	
Heating zone 1	Heating zone 2 (with Thorix 2C - Ref. 411003)
Ambient thermostat (Ref. 710043)	Ambient thermostat (Ref. 710043)
Non chronoproportional radio ambient thermostat TH RNC/2 (Ref. 770001)	Thermostat d'ambiance radio non chronoproportionnel TH RNC/2 (Ref. 770001)
Room sensor with display (Ref. 751009) supplied as standard	Ambient sensor with display (Ref. 751009)

Note :

The DHW circuit is not counted as a heating zone in the table above.

3.5.2 - ORIUM 3S pilot

Controller compatibility table by heating/cooling zone
Heating zone 1
Room sensor with display (Ref. 751009) supplied as standard

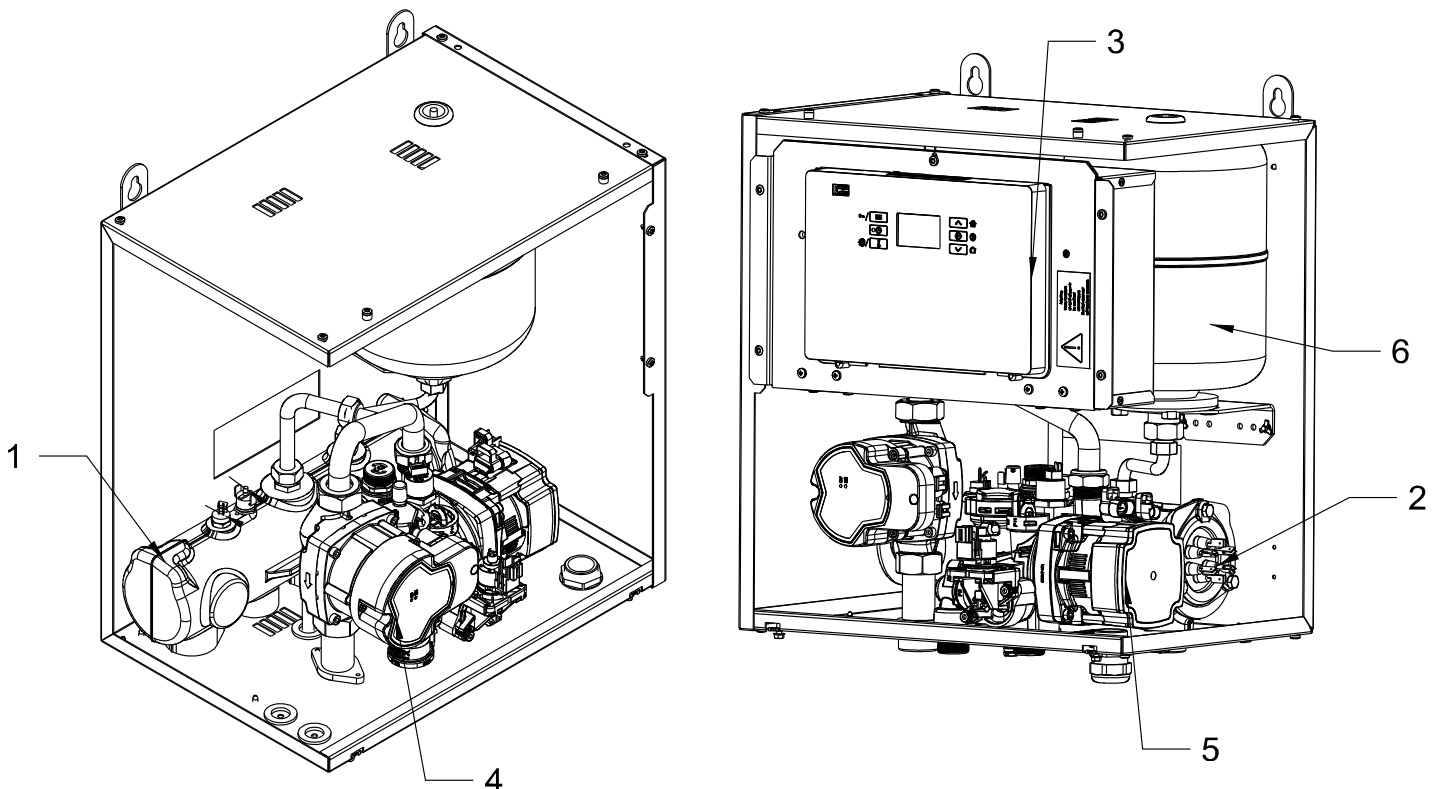
Note 1 :

The DHW circuit is not counted as a heating zone in the table above.

Note 2 :

A thermostat can be connected to switch between heating and cooling.

3.6 - Operating principles



- | | |
|-----------------------------|-----------------------------|
| 1. Cast-iron tub | 4. Heat pump circulator |
| 2. 6 kW heating element | 5. Heating / DHW circulator |
| 3. Electronic circuit board | 6. Expansion vessel (5L) |

4 - INSTALLATION



If the **ORIUM pilot** provides the cooling function, refer to the cooling kit manual (Ref. 754602) for specific recommendations, installation rules and settings to be made for this use.

4.1 - Placement choice

4.1.1 - Appropriate placement choice



The Pilot must be installed on a level and stable base which is distanced from appliances used for cooking and other heat sources.

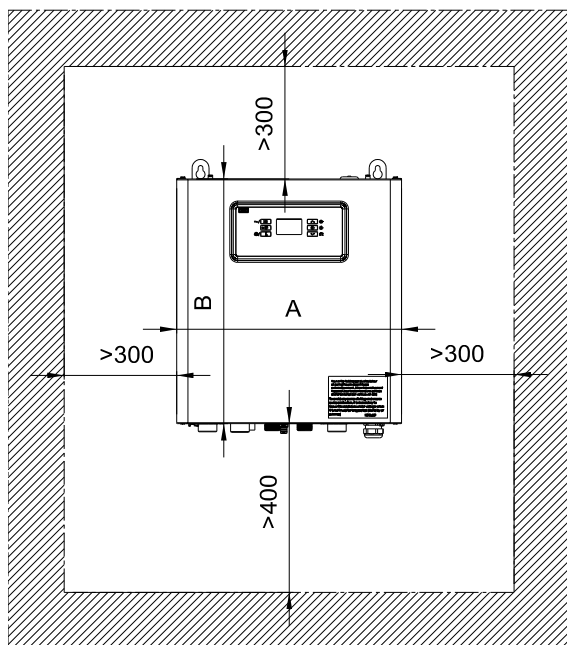
The **ORIUM Pilot** must be placed in an area which is free from frost and adverse weather conditions.

It must be placed as close to the heat pump as possible without exceeding the maximum distance.

The maximum distance depends on the diameter of piping and the number of elbows used (see «Hydraulic connection» tables).

The 2-core sheathed cable which connects the **ORIUM Pilot** and the heat pump measures 10 m. It can be extended to 20 m (Ref. 753102) or 50 m (Ref. 754103) as an option.

4.1.2 - Integration



	A	B
ORIUM Pilot	400	495

If the cooling kit (Ref. 754602) is installed, leave sufficient space above the pilot for the pipework.

4.2 - Hydraulic installation

Consult the hydraulic schematic diagrams in the appendix.

4.2.1 - Recommendations

4.2.1.1 - Back-flow prevention device

French law (articles 16.7 and 16.8 of the «Règlement Sanitaire Départementale») stipulates that a type CA back-flow prevention device must be installed. This device must be at different, non-regulated pressure zones, in accordance with the NF EN 14367 standard. This is also an obligatory requirement in other countries, which makes it important to verify the current laws and regulations in effect in the country of installation to ensure that your installation is in compliance. The back-flow prevention device is designed to prevent incoming heating water from entering the drinking water circuit. It must be connected to the mains drainage system.

4.2.1.2 - Cross sections, purging of the heating circuits

In an installation equipped with thermostatic mixing valves, this inspection must be done with all taps/valves open.

The output actually needed determines the water flow rate of the heating circuit and allows to calculate the dimensions of the distribution network.

All necessary measures must be taken to ensure that the installation can be continuously purged. Automatic air purging valves should be placed at each high point of the installation, and manual air purging valves should be installed on each radiator.

4.2.1.3 - Desludging tank

Plan for a desludging tank with a sufficient volume at a low point on the inlet of the heating circuit. This tank must be equipped with a drain so it can collect the oxides, particles, and calamines which detach from the inner walls of the heating circuit while it is in operation.

4.2.1.4 - Preparing the hydraulic circuit (rinsing)

Before placing the pilot and heat pump, it is necessary to rinse the installation with an appropriate product. This allows to eliminate all traces of soldering waste, joint filler, grease, sludge, metallic particles, etc... in the radiators, underfloor heating, etc...

4.2.1.5 - Expansion vessel

The installation must be equipped with an expansion vessel with a sufficient capacity (which depends on the static height of the installation, the blowing-up pressure of the expansion vessel and the volume of the installation).

Add a second expansion vessel to the system if the one in the **ORIUM Pilot** is not sufficient.

4.2.1.6 - Frost Protection

Frost protection is necessary if the **ORIUM Pilot** is switched off during the winter months (ex: secondary residence, etc...).



If the appliance is connected to an electricity supply, the heating circuit is protected from freezing. It is **IMPERATIVE** to drain the domestic hot water circuit however. If the pilot is not being supplied with electricity (electrical cut-off for example), or it is defective and there is a risk of freezing, it is **IMPERATIVE** to completely drain the appliance (heating and hot water).

4.2.1.7 - Underfloor heating

It is mandatory to install a 65°C safety aquastat (OPT) with manual reset on the underfloor heating outlet.

Position the safety aquastat as close as possible to the common outlet of all the underfloor heating loops (that is to say just upstream of the underfloor outlet manifold) so as to keep it away from the Pilot's underfloor heating outlet and to prevent it being triggered after the domestic hot water tank has been charged.

4.2.1.8 - Thermostatic valves

Thermostatic valves: these valves should prioritise rooms with higher levels of heat gain.



In an installation with both thermostatic valves and a room temperature thermostat, the radiator(s) in the room in which the thermostat is located MUST be equipped with a manual valve(s).



It is IMPERATIVE to refer to the installation instructions for the initial installation of the ambient temperature thermostat to ensure satisfactory operation.

4.2.1.9 - Treatment of the water in the heating circuit



It is MANDATORY to read the additional document concerning the quality of water used for filling the installation. This document is included with this manual as well as in the packet with the warranty information.

This document also contains information which is PERTINENT to the WARRANTY of the material.

4.2.1.9.1 - Filling water

Refer to the water quality sheet provided with the pilot's manual.



Central heating installations must be cleaned in order to eliminate debris (copper, filings, soldering waste) related to the set-up of the installation or from chemical reactions between the metals.

Furthermore, it is important to protect the central heating installations from risks of corrosion, limescale, and microbiological development through use of a corrosion inhibitor which is suitable for all kinds of installations (steel or cast-iron radiators, PEX underfloor heating).

PRODUCTS USED FOR HEATING WATER TREATMENT MUST BE APPROVED BY THE LOCAL OR NATIONAL PUBLIC HYGIENE AND HEALTH AUTHORITY.

4.2.1.9.2 - Treatment of the heating circuit

We recommend the use of products in the **SENTINEL** range by **GE BETZ** for preventative and curative treatment of the heating circuit.

• **For new installations : (less than 6 months old):**

- Clean the installation with a universal cleaner to eliminate the debris from the installation (copper, fibres, soldering fluxes) Example : **SENTINEL X300**
- Thoroughly rinse the installation until the water runs clear, with no traces of impurities left.
- Protect the installation against corrosion with a corrosion inhibitor, example: **SENTINEL X100**. Or against corrosion and freezing with an inhibitor with an anti-freeze additive. Example : **SENTINEL X500**.

• **For existing installations:**

- Desludge the installation with a desludging product to eliminate any sludge from the installation. Example: **SENTINEL X400**.
- Thoroughly rinse the installation until the water runs clear, with no traces of impurities left.
- Protect the installation against corrosion with a corrosion inhibitor, example: **SENTINEL X100**. Or against corrosion and freezing with an inhibitor with an anti-freeze additive. Example : **SENTINEL X500**.

Corrosion inhibitor :

- protects against the formation of limescale
- prevents «pinhole» type corrosion
- prevents, in new installations, the formation of sludge and the proliferation of bacteria (in low temperature networks: algae)
- prevents the formation of hydrogen
- eliminates the sound of the generators

Treatment products from other manufacturers can be used if they guarantee that the product is appropriate for all the materials used in the appliance and offers efficient resistance to corrosion. To find this information refer to their user manual.

4.2.1.9.3 - Purging the installation

The oxygen present in the air is extremely corrosive. All necessary measures must be taken to ensure that the installation can be continuously purged. Automatic air purging valves should be placed at each high point of the installation, and manual air purging valves should be installed on each radiator.



RENDERING THE WARRANTY NULL AND VOID
Any deterioration of the appliance due to inappropriate filling water, and/or corrosion in the absence of the use of treatment products, and/or improper degassing of the installation, will render the warranty null and void.



Be careful not to exceed a pressure of 2.5 bar in the installation when degassing.
It is forbidden to degas the installation by the safety valves. A solicitation of these safety organs for degassing, can lead to malfunctions during the operation of the appliances.

4.2.1.9.4 - Connecting the pressure relief valve

The Heat Pump and the pilot are both equipped with pressure-relief valves. The pilot's pressure-relief valve is set at 3 bar.

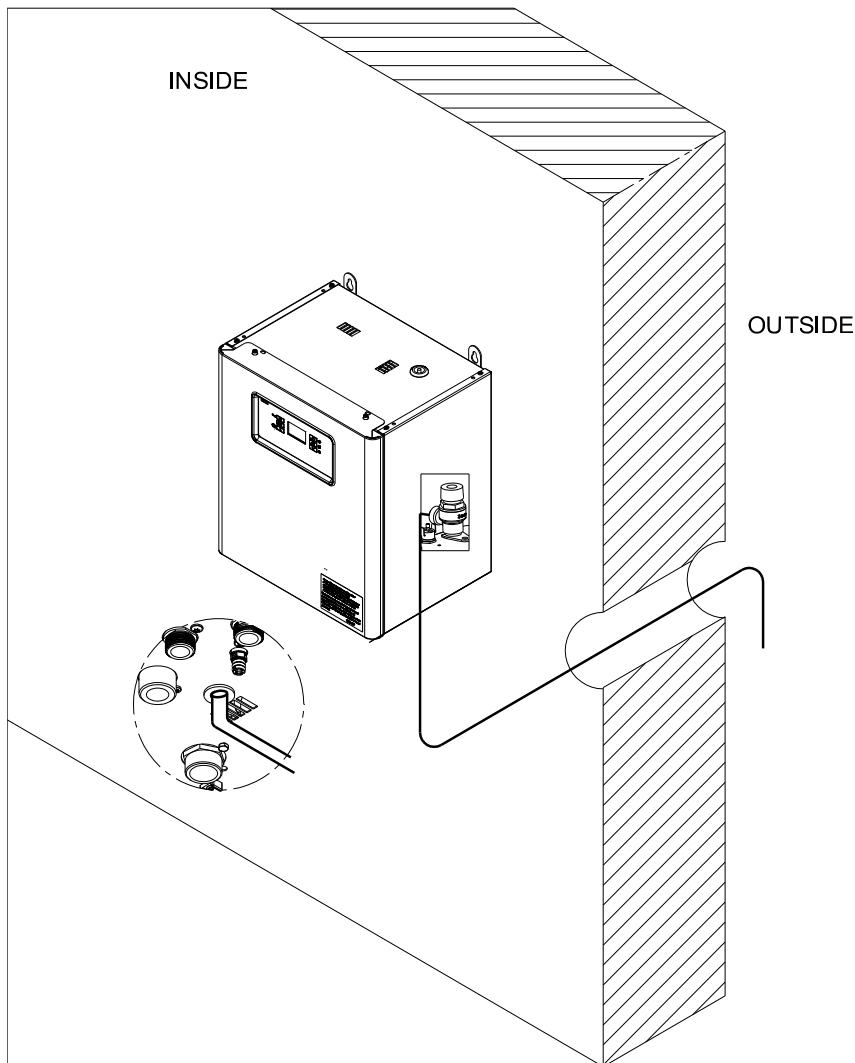
The pressure-relief valve on the heat pump sets the maximum acceptable pressure in the installation (2.5 bar when hot). The maximum service pressure in the heat pump must, consequently, be lower than 2.5 bar.

Example : If the heat pump is positioned 5 m below the Pilot, the pressure read on the Pilot would be 0.5 bar less than the real pressure of the water in the heat pump. In this case, the maximum service pressure for the Pilot would be 2 bar.

Therefore it would be advisable to fill the heating circuit at an intermediary pressure (between 1 and 1.5 bar).

For safety reasons (potential presence of flammable R290 gas), drainage of the Pilot's pressure-relief valve **MUST BE** done **outside the building**. The outlet of the drainage pipe (4 m length provided with the pilot) must be placed downwards in order to avoid any introduction of water inside, any risk of obstruction due to frozen water or any other pollution (see drawing).

If the provided drainage pipe is too short, it's mandatory to use a well-adapted length (can be supplied on demand). It will have to be installed as well as there will be no pinch on it, it will then ensure the drainage of the overpressure from the 3 bar safety valve outside the building.

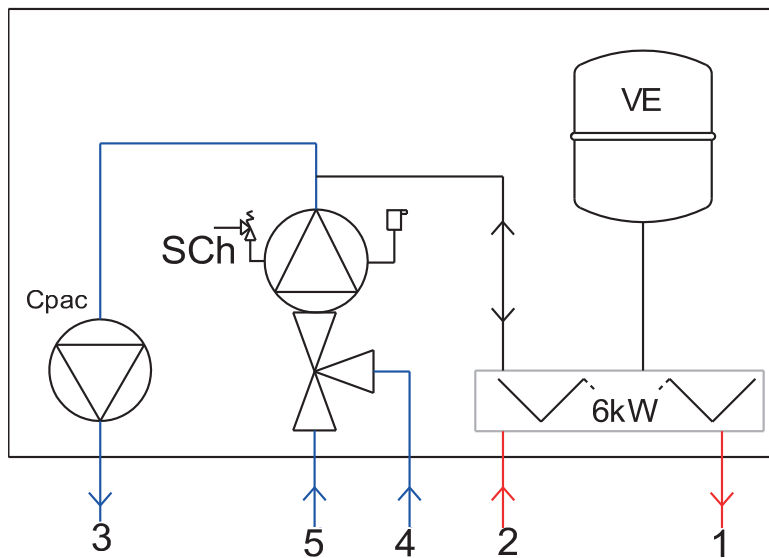
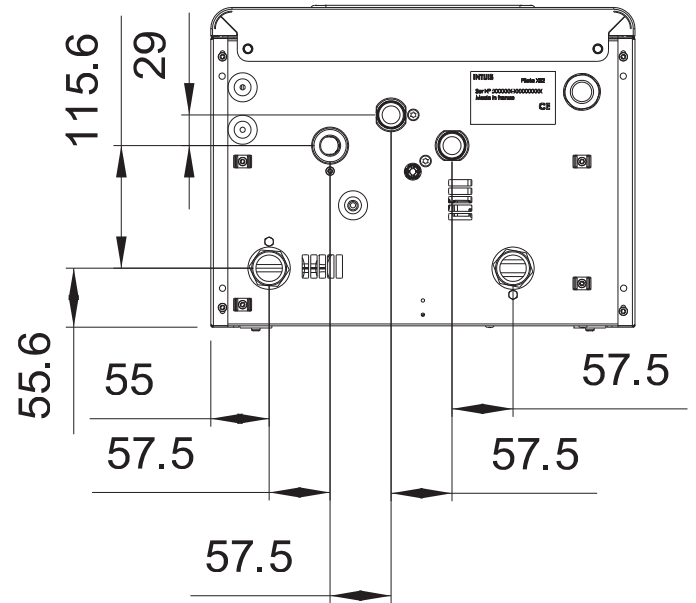
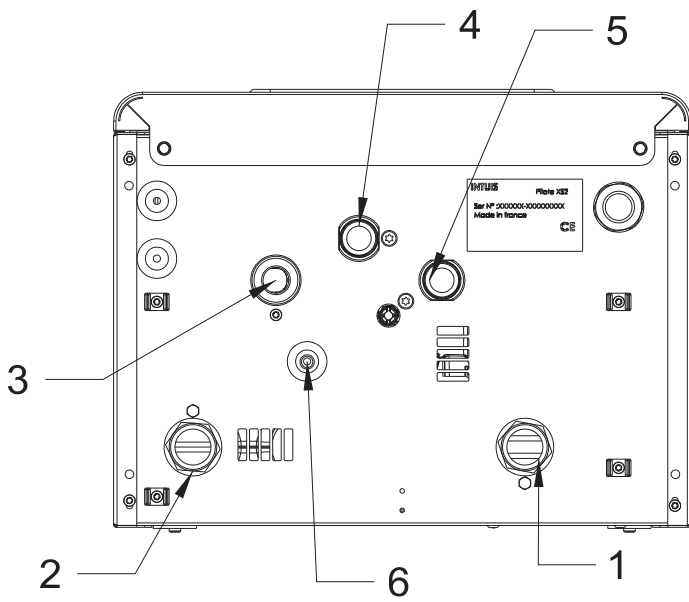


The Pilot's pressure-relief valve drainage pipe must be properly secured until the outside of the building without any pinching zone.



WARNING
Failure to comply with this requirement concerning the evacuation of overpressure outside the building releases the heat pump manufacturer from any liability in case of incident.

4.2.2 - Hydraulic connections



	Description	Hydraulic connections
1	Output to transmitter circuits	1"
2	From the heat pump plate exchanger outlet	1"
3	To HP plate exchanger inlet	1"
4	Return from DHW cylinder	3/4"
5	Return from the heating transmitter circuit	3/4"
6	Safety valve discharge	-

4.2.2.1 - Installation of control devices to balance the hydraulic network

The installation of control devices (balancing valve, flow meter, etc.) is mandatory on the hydraulic circuit of each heat pump and on each emitter circuit connected to the pilot to allow balancing of the hydraulic network (QualiPAC requirements).

These control devices must allow the flow rate to be read and adjusted in order to set the operating point. They should preferably be installed on the return side of the circuits and at a distance of :

- 10 x D from the circulator positioned upstream of the control device or 5 x D from an elbow positioned upstream of the control device.
- 2 x D from any element or change of direction downstream of the control device.

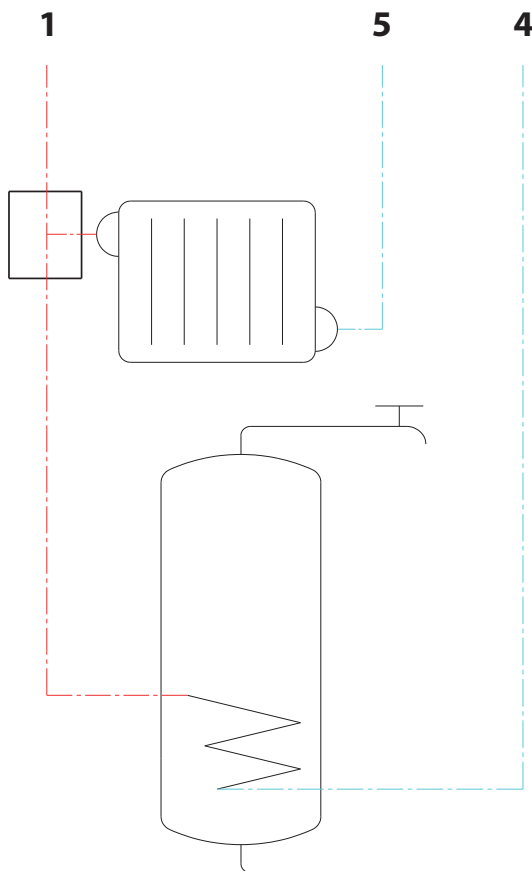
(Where D is the diameter of the pipe on which the control device is installed).

4.2.2.2 - Circulator degumming

To avoid blocking the circulators during a prolonged shutdown, take care not to de-energise the pilot.

4.2.2.3 - Heating circuit + DHW circuit connection

The heating flow and the domestic hot water flow must be connected to the "1" transmitting outputs. Provide a connecting tee between the two circuits.



4.3 - Electrical connections

Plan for a circuit breaker dedicated to the power supply of the **ORIUM Pilot** on the electrical panel. It must be able to completely cut-off the electrical supply from the network (all-pole) to eliminate any danger when carrying out maintenance on the appliance.

How to proceed:

- Check that the «ground» cable is connected properly to the grounding peg or grounding network of the building.
- Connect the **ORIUM Pilot's** electrical cable to the dedicated outlet, equipped with a circuit breaker.
- Leave the **ORIUM Pilot** switched off until set-up.

The correct voltage is 230 V (+10% / -10%) single-phase or 400 V in the case of a three-phase connection.

Each appliance is delivered from the factory completely pre-wired. However, it is necessary to connect the following elements to the relevant terminals:

- The general electricity supply.
- The different sensors or thermostats on the **ORIUM Pilot**.
- The 2-core sheathed cable connecting the **ORIUM Pilot** and the Heat pump (10 m length supplied).

Under no circumstances will the manufacturer be held liable for any problems which may arise due to improper installation and/or choice of power supply cable.

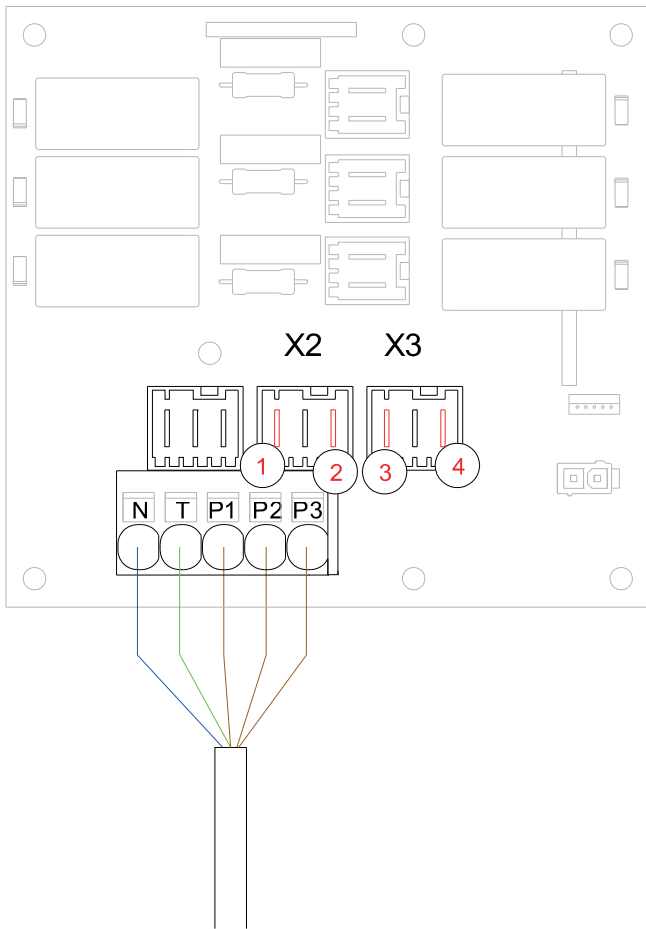


The rules and regulations in the country of installation MUST be respected (standard C15-100).

- **The electrical lines for general power supply to the circuits must be made in compliance with your country's current rules and regulations (standard C15-100).**
- **Standard C15-100 determines the cable section to be used based on acceptable currents.**
- **Standard C15-100 determines the cable section to be used based on the following elements:**
 - **Nature of the conductor:**
 - . type of insulation, number of strands, etc...
 - **Installation mode:**
 - . influence of conductor and cable groups
 - . ambient temperature
 - . tightly or non-tightly installed
 - . length of cables, etc...

4.3.1 - Power supply connection

Three-phase power supply :

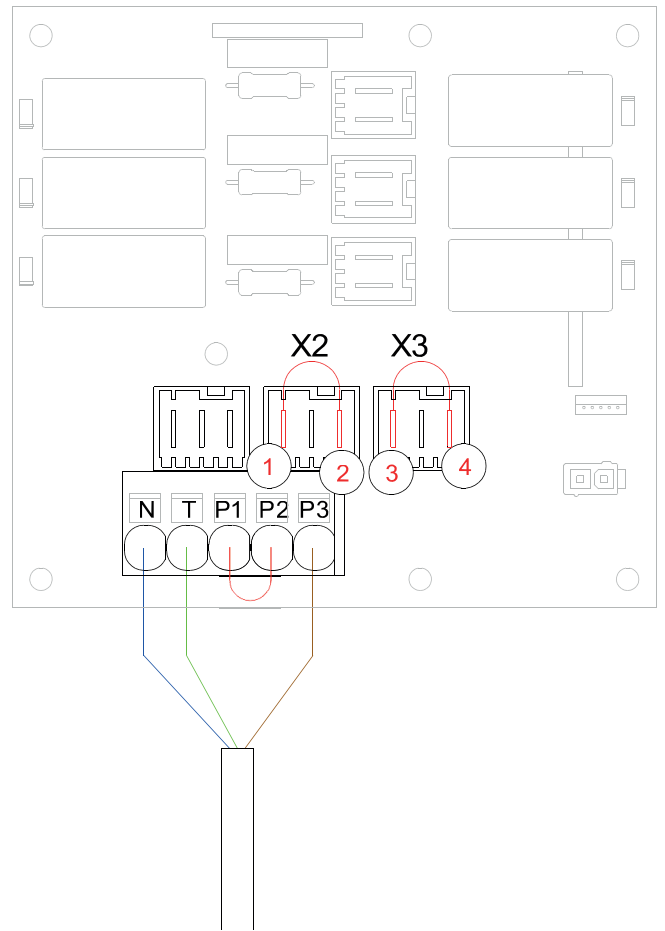


- Connect the power supply to the main terminal block on the power board. Each phase must be connected to one of the terminals **P1**, **P2** or **P3** provided for this purpose (remove the bridge between terminals **P1** and **P2**).
- Connect the protectors supplied in the plastic bag to the four coloured and numbered terminals shown in the diagram above.



Do not apply power without first checking that connectors X2 and X3 ARE NOT fitted with phase distribution bridges.

Single-phase power supply :

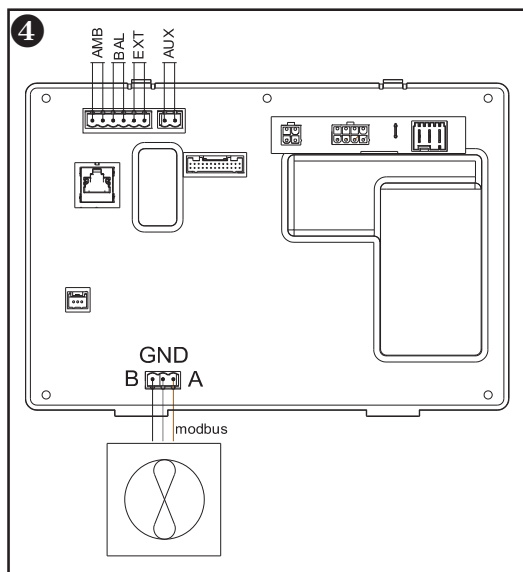
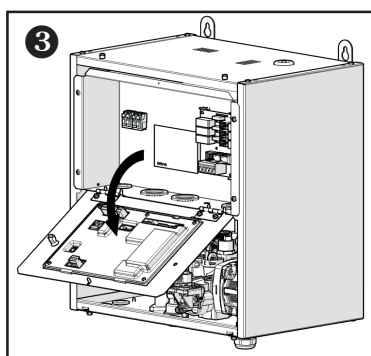
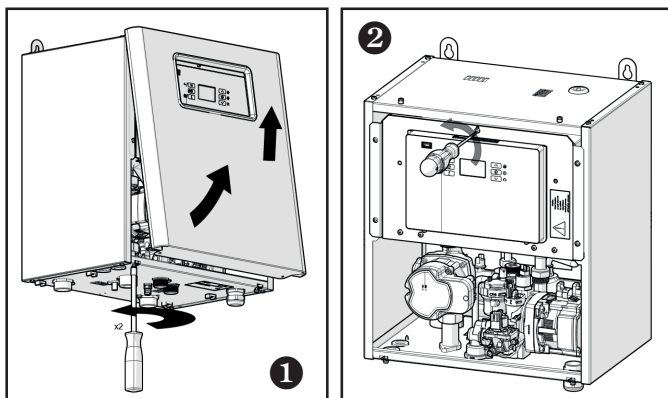


- Connect the power supply to the main terminal block on the power board.
- Ensure that the phase is connected to the last terminal (marked P3).
- Connect the phase distribution bridges supplied in the plastic bag to connectors **X2** and **X3** (see the four coloured and numbered lugs in the diagram above).



The phase must be connected to terminal P3 and not to terminal P1 or P2.

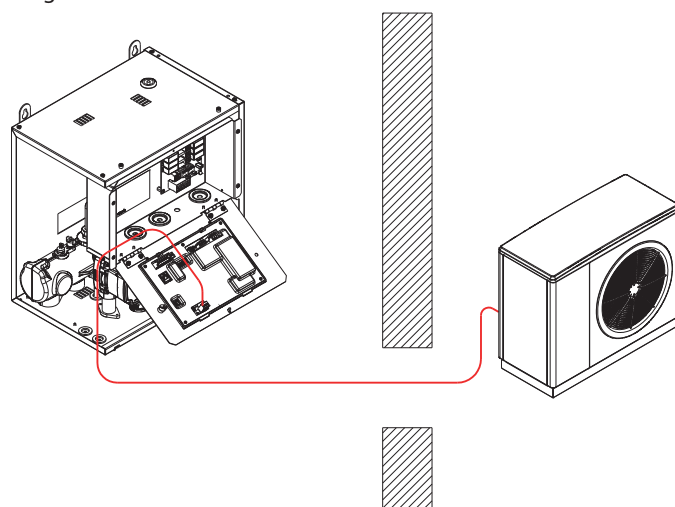
4.4 - Connection to the Heat pump and to the accessories for control



- ModBus** : Connection to the heat pump
- AMB** : Ambient temperature sensor or thermostat (dry contact)
- BAL** : Tank sensor
- EXT** : Exterior sensor
- AUX** : Dry contact towards Thorix*

4.4.1 - Control connection towards the Heat pump

- Connect the two wires of the connecting cable on terminals **A** and **B** of the «Modbus» terminal while taking care to respect the polarity **A/B** (terminal **A** of the **Pilot** to be connected to terminal **A** of the heat pump; the same for terminal **B**).
 - Connect:
 - the brown wire to A
 - the white wire to B
 - the black wire to GND on both appliances.
 - If you are using a different cable, respect the polarity of A and B as well as the connection of the shielding on 0V on both appliances.
- Plan for the appropriate length of cable between the pilot and the heat pump. Do not hesitate to cut the cable to the appropriate length to **AVOID LOOPS**.



Ensure that the connecting cable is distanced from any source of electrical disturbance (ex: washing machine, neon lighting, power supply cable....)

4.4.2 - Ambient temperature control

In an installation with both thermostatic valves and a room temperature thermostat, the radiator(s) in the room in which the thermostat is located **MUST** be equipped with a manual air valve(s).

It is mandatory to install the ambient temperature control on an interior wall of the room for control by the appliance and not a wall that lets out onto the outside of the building.

Installation against an exterior facing wall is prohibited.

Do not place the ambient temperature controller too close to a window, a curtain, or a door. Avoid placing it in an alcove, a closet, or behind drapes.

Do not place above a heat source (radiator,...) or against a wall with a chimney.

Do not place in reach of sun's rays, or near powerful lighting.

Place the sensor 1.50m above floor level, and at least 50cm away from neighbouring walls. Insulate the extremities of the electrical cabling of the installation on the side of the appliance to prevent air currents from influencing the measures taken.

* Allows the Thorix to be shut down during DHW production. Set parameter P204 to 1 on the Thorix to activate the function.



EXCLUSIVELY connect either :

- The AMBIENT TEMPERATURE SENSOR with DISPLAY (Ref. 751009);
- The AMBIENT TEMPERATURE RADIO THERMOSTAT (Ref. 770001);
- The AMBIENT THERMOSTAT (Ref. 710043);
- Any other on/off type ambient thermostat.

All other thermostats which are chronoproportional may cause malfunctioning and render the warranty null and void.

4.4.3 - Exterior sensor

The connection of the exterior sensor is recommended (if it is not the heat curve is calculated using the temperature read by the air sensor).

Place the sensor on the coldest exterior wall of the building (usually the north-facing wall). It must not be exposed to the morning sun.

It is preferred to mount the exterior sensor in the middle of the wall of the building or of the heating zone, at least 2.5m above ground level.

Do not place the sensor:

- above windows, doors, air exhausts, or other heat sources,
- beneath balconies or gutters

To prevent mistakes in the temperatures measured due to air circulation, insulate the extremities of the sensor's electrical conduit.

Do not paint the exterior sensor.

Note :

After connection, go to the «DISPLAY» menu and check that the «EXTERIOR» screen appears with the value read by the probe. If not, check the connection of the probe or the pilot connector.

4.4.4 - Domestic water sensor



EXCLUSIVELY connect the water sensor (Ref. 710029).

If DHW is produced by a domestic hot water tank:

- Place the sensor in the well of the tank to inspect the temperature of the hot water immediately available.
- Connect the water sensor to the «BAL» terminals of the ORIUM Pilot.

4.4.5 - Underfloor safety device of the 65°C safety aquastat (OPT) with manual reset

Use the additional wiring provided in the kit (Ref. 710111) to protect the underfloor heating circuit.

Position the safety aquastat as close as possible to the common outlet of all the underfloor heating loops (that is to say just upstream of the underfloor outlet manifold) so as to keep it away from the Pilot's underfloor heating outlet and to prevent it being triggered after the domestic hot water tank has been charged.

5 - SET-UP



Set-up must be done by a qualified professional.

5.1 - Before set-up

Ensure that:

- All works carried out on the hydraulic circuits and the electrical circuits are in compliance with the regulations in effect (inspection by a qualified professional)
- The pressure relief valve on the cold water inlet of the domestic hot water tank (if the installation has a domestic hot water tank) is working properly and is properly connected to a drain in compliance with the regulations in effect.
- All piping is watertight.
- All hydraulic connections are properly tightened.
- The correct voltage at the mains switch.
- All of the valves are open and nothing is obstructing the circulation of water in the exchanger and in the hydraulic circuit.
- The installation is equipped with a filter valve or a filter on its inlet and that the filter is not clogged.
- The automatic air purger's cap is open.
- The exterior sensor and the ambient temperature control (if present on the installation) are connected properly.
- If using an ambient thermostat, ensure that it is actually being used.

Once all of these checks have been done, turn on the heat pump and **ORIUM Pilot**.

5.2 - Check watertightness

The tightness of the pilot is partly or fully ensured with fiber seals depending on the type of plumbing connection used. This kind of seal swells on contact with water ensuring the tightness of the device. When filling the device with water for the first time, fiber seals being dry, tightening of the nuts may be necessary in order to ensure tightness. Wait a few minutes before tightening for the seals to be correctly soaked with water.

After pressurising the appliance, it is important to check the watertightness (both visually and by any lowering of pressure) of all internal and external connections.



Any deterioration of the appliance due to a lack of watertightness renders the warranty null and void.

5.3 - Starting set-up




For optimal set-up, make sure that all the required accessories (room control, decoupling kit, 2-circuit kit, etc.) are connected before starting the set-up. For room thermostats, make sure they are in heating mode (a closed contact is sent to the pilot).



When the **ORIUM Pilot** is turned on for the first time, it will ask you to confirm the language of use (French, English, German, Italian, Spanish, or Polish), and will request to start set-up:



Choose **YES** and confirm by pressing . The **ORIUM Pilot** guides you through the steps described below.

Note:

If you choose not to start set-up (NO) this option remains accessible in the expert menu, by the *COMMISSIO.* sub-menu.

5.4 - Step 1: Circuit choice

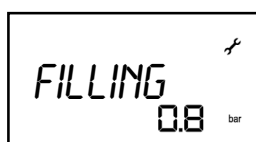
Select the kind of circuit connected (domestic hot water, radiators).

Note:

Circuits are proposed according to the sensors which are connected.


5.5 - Step 2: Filling

Activate the back-flow prevention device of the installation to fill the heating circuit to just over 1.5 bar of pressure.



During the filling stage, the **ORIUM Pilot** indicates the pressure measured in the heating circuit.

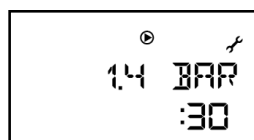
The **ORIUM Pilot** automatically confirms the filling of the installation once the pressure reaches 1.6 bar.

A manual confirmation (press ) is possible starting at 0.6 bar of pressure.

5.6 - Step 3: Purging the installation



The purging cycle activates the circulator pump (and the 3-way valve if production of domestic hot water is also installed) at an alternating rhythm to allow the displacement and purging of any air bubbles accumulated at high points of the installation using the **ORIUM Pilot's** automatic purger.



During the purging cycle, the screen indicates the countdown until the automatic stop of the cycle as well as the pressure in the circuit.

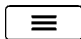
During the cycle, check that the automatic purgers are open and regularly activate the manual purgers.

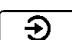
If the pressure in the circuit becomes insufficient due to the volume of air purged, the **ORIUM Pilot** will indicate it and will pause the purging cycle.

Activate the back-flow prevention device or the filling valve to raise the pressure. The purging cycle will resume automatically once there is sufficient pressure.

The purging cycle is launched for a duration of 30 minutes and will automatically stop after that time is up.

At any time during the cycle, you can:

- Interrupt (or resume) the cycle by pressing on .

- End the cycle and continue to the next step by pressing .

5.7 - Step 4 : Choosing the back-up

It is possible to select the electrical back-up or not declare a back-up).

5.8 - Step 5: Finishing set-up

The **ORIUM Pilot** will indicate when set-up has been achieved:



And will automatically put itself in standby mode.

The **ORIUM Pilot** can be left in this state until first use.

5.9 - First use

To turn on the **ORIUM Pilot**, press .

Long pressing  puts the **ORIUM Pilot** in standby mode.

6 - SETTINGS AND FUNCTIONS

6.1 - Control panel

6.1.1 - Keypad

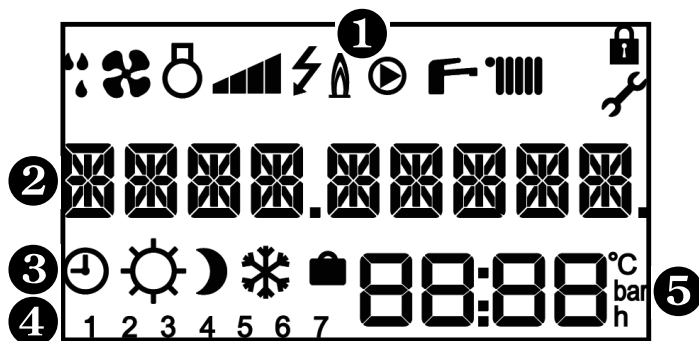


Button Primary function
ex.: Decrease / scroll down

Secondary function
ex.: Holiday mode

Primary function (short press)	Secondary function (long press)
- Menu access - Return / cancel	Locking / unlocking of the keypad
- On	Standby mode
- Setting the temperatures	Program scheduled comfort modes
- Increase the setting - Scroll up	Activate temporary comfort mode
- Confirm / remove error - Display pressure or T°	Information on temperatures and current operating state
- Decrease the setting - Scroll down	Activation of holiday mode

6.1.2 - Display



1 Symbols of current operating state

	Defrosting in progress		Circulator pump working
	Ventilator working		Domestic hot water activated
	Compressor working		Heating activated
	Power level		Keypad locked
	Electrical back-up		Installer menu

2 9 character message

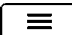

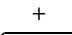
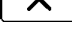
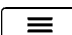
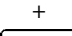

3 Current comfort mode


	Programming active		Comfort mode		Eco mode
	Frost protection mode		Holiday mode		

4 Day of the week: (1= Monday; 2= Tuesday...)

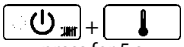

5 Display zone: temperatures, pressure, settings, time...

6.2 - Menus

Menus (and sub-menus)	Access buttons
menu USER	
menu INSTALLER <i>(Display here under will be shown or hidden according to product configuration)</i> <ul style="list-style-type: none"> - HP CIRC : Setting the speed of HP circulating pump - FLOW. CIRC 1 : Setting the speed of heating circulating pump 1 - OUTS.TMAX : Outside temperature on the warmest day - OUTS.TMIN : Outside temperature on the coldest day - MODE : Choice of ORIMUM Pilot operation <ul style="list-style-type: none"> HP : HP only operation HP+B BACKUP : Operation with the heat pump and authorised back-up BACK UP : Operation with back-up only - HEAT CURV1 : Setting the heat curve 1 - HEAT TMAX1 : Heat curve 1 set-point on the coldest day - HEAT TMIN1 : Heat curve 1 set-point on the warmest day - SHARING : Activation of priority sharing - ANTI-BACT. : Activation of anti-bacteria function 	  
menu EXPERT <ul style="list-style-type: none"> - SETTINGS : Access to all parameters - DISPLAY : State of operation of the pilot - DATA CALC : Temperatures and time delays in progress - COUNTERS : Operation counters - CONFIGURA. : Choice of circuits and their controls - AIR BLEED : Activation of a special air purge cycle - MANUAL : Manual operation of component for diagnostics - COMMISSIO : Access to the set-up - MODBUS : Remote control setting up - SOFTWARE : Manage software version 	  

Press  to exit the menus and sub-menus.

6.3 - Actions to be activated using a combination of buttons

Action	combination of buttons
Reset counters to zero Certain counters cannot be reset to zero. Only the counters which can be reset are affected by this action.	in the «counters» menu  press for 5 s
Reset to default settings (Return to factory settings)	in the «settings» menu  press for 5 s

6.4 - List of parameters which can be set

N° de paramètre	Description	Unité	Plage de réglage	Réglage d'usine
P202	Maximum exterior temperature (TEMA)	°C	11 to 25	20
P203	Minimum exterior temperature (TEMI)	°C	-30 to 10	-5
P204	Summer/winter changeover: choice of changeover method	-	<i>AUTO</i> : changeover is done automatically based on the exterior temperature <i>MANU</i> : changeover is done manually by the user	<i>MANU</i>
P205	Summer/winter time delay: time period for observation of the exterior temperature before automatic season changeover. Only used if automatic changeover is activated.	hour	0 to 48	12
P206	Reactivity: the temperature for heating takes into account the ambient temperature to accelerate heating time when heating is switched on or restarted.	-	<i>YES</i> : reactivity activated <i>NO</i> : reactivity deactivated	<i>NO</i>
P207	Anticipation of heating: heating restarted before return from holidays (for a home already at the set temperature on return)	-	<i>YES</i> : anticipation activated <i>NO</i> : anticipation deactivated	<i>NO</i>
P208	Minimum exterior temperature for operation using only the HP (TEPAC). The back-up is authorised to operate in colder temperatures.	°C	P209 to 20	2
P209	Maximum exterior temperature for operation using only the back-up (TEAPP). The heat pump is authorised to operate in warmer temperatures.	°C	-20 to +10	-20
P210	Full-hour operation (Peak/off-peak contact open)	-	0: no operation allowed 1: HP limited to 1st power stage 2: HP limited to 2nd power stage 3: full HP without back-up 4: HP + 1 stage back-up (2 kW) 5: HP + 2 stages back-up (4 kW) 6: Full authorization : HP + 3 stages back-up (6 kW) 7: Back-up only (6 kW or boiler) 8: Anti-frost comfort level 9: Eco 10: Do not use	6
P212	Type of back-up	-	<i>NO</i> : No back-up <i>ELEC</i> : Electrical back-up	<i>NO</i>
P213	Heat pump time-out: allows the heat pump to continue running for a period of time after intervention of the back-up	min.	1 to 20	5
P214	Difference in temperature between the back-up and the heat pump	°K	0 to 7	P212 = <i>ELEC</i> 4
P215	Presence of a heat pump	-	0: Operation without a heat pump 1: Presence of a heat pump	1
P216 to P227	Not concerned	-	Do not change the setting	-
P228	Post-circulation of the heat pump circulator pump	-	Do not change the setting	3
P229	Not concerned	-	Do not change the setting	-
P230	Speed of heating circuit circulator pump	%	10 to 100	100
P231	Set temperature of heating water	°C	<i>AUTO</i> : automatic set temperature from the air sensor or exterior sensor (if connected) or 20 to 70: setting fixed in °C	<i>AUTO</i>
P232	Maximum set temperature (TCMA) for the heating circuit	°C	P233 to 70	70
P233	Minimum set temperature (TCMI) for the heating circuit	°C	20 to P232	40

N° de paramètre	Description	Unité	Plage de réglage	Réglage d'usine
P234	Heating circulation is controlled by the ambient temperature control	-	0: permanent 1: controlled by ambient temperature control 2: controlled by ambient temperature control with set temperature for no heating request – «anti-cold radiators» function (requires ambient temperature sensor)	1
P235	Lowering of the temperature when not requested: lowering of temperature applied to the heating temperature when the ambient temperature is not being requested.	°K	0 to 30	4
P236	Lowering in ECO: lowering of the temperature applied in ECO mode.	°K	0 to P237	10
P237	Lowering in Frost protection : lowering of the temperature applied in Frost protection mode.	°K	P236 to 40	20
P238	Auto-adaptability: automatic correction of the heat curve based on the ambient temperature on a 24h cycle	-	YES: correction activated NO: correction deactivated	NO
P239	Complementary auto-adaptability: automatic correction of the temperature not requested on a 3h cycle	-	YES: correction activated NO: correction deactivated	NO
P241 to P245	Not concerned	-	Do not change the setting	-
P247	Ambient temperature hysteresis (requires an ambient temperature sensor): difference in ambient temperature to engage a heating request.	°K	0.1 to 1	0.5
P270	Temperature of primary circuit for cylinder controlled by aquastat (dry contact)	°C	20 to 70	60
P271	Domestic sharing: simultaneous operation of heating and domestic hot water production at the end of the tank's heating cycle. Increases the available heating time for installations with a larger volume of domestic hot water.	-	1 : Sharing activated 0 : Sharing deactivated	0
P272	Anti-legionellosis – activation and choice of frequency: the cycle raises the temperature in the domestic hot water tank. This cycle eliminates the bacteria through thermal shock.	-	0 : Protection deactivated 1 : (monthly) : the cycle is carried out at the beginning of each month, on the first day P273 the month 2: (weekly): the cycle is carried out each week on day P273	0
P273	Anti-legionellosis – choice of day to carry out anti-legionellosis cycle	-	1 (Monday) to 7 (Sunday)	2
P275	Circulator pump speed during production of domestic hot water	%	10 to 100	100
P278	Lowering of the domestic hot water temperature in ECO mode.	°K	0 to 40	10
P279	Not concerned	-	Do not change the setting	-
P280	Not concerned	-	Do not change the setting	-
P281	Domestic water request differential: loss of heat from the domestic hot water tank compared to the set temperature to start a new heating cycle.	°K	2 to 15	5
P282 à P288	Not concerned	-	Do not change the setting	-

6.5 - Description of functionalities

6.5.1 - Functions related to heating

6.5.1.1 - AUTO temperature (heat curve)

The set temperature for heating decreases with the exterior temperature, which allows the installation to operate at a low temperature throughout the majority of the heating season and improves the seasonal efficiency of the installation.

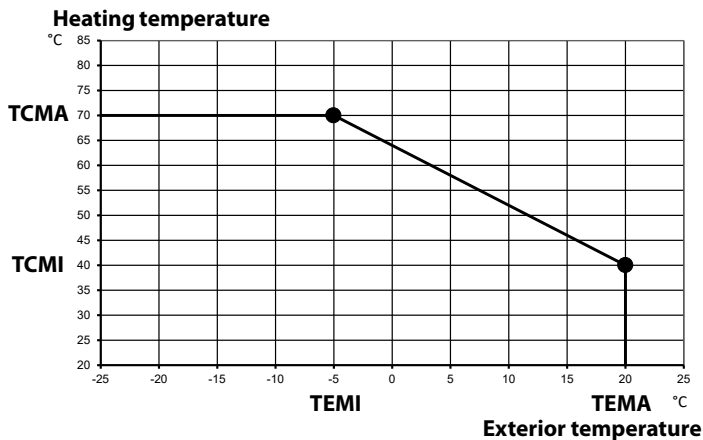
This function can be activated by setting *P231* to *AUTO*.

Setting the heat curve is done using parameters *P202*, *P203*, *P232* and *P233*.

RADIATOR application:

P202 (TEMA) = 20°C *P233* (TCMI) = 40°C

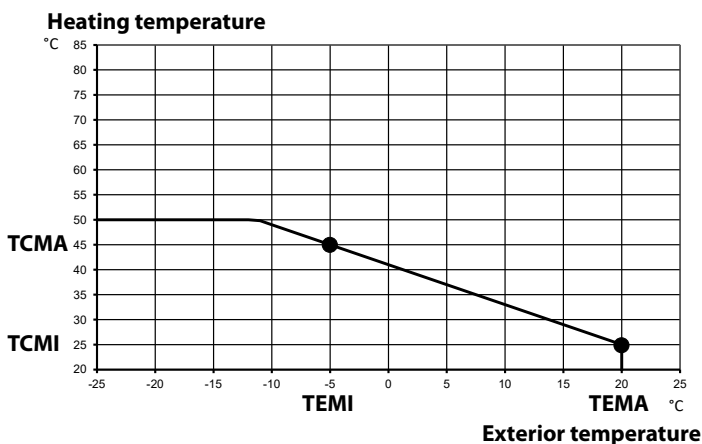
P203 (TEMI) = -5°C *P232* (TCMA) = 70°C



UNDERFLOOR HEATING application:

P202 (TEMA) = 20°C *P233* (TCMI) = 25°C

P203 (TEMI) = -5°C *P232* (TCMA) = 45°C



It is mandatory to place a 65°C safety aquastat (OPT), with manual reset, on the underfloor heating outlet.

6.5.1.2 - Lowering of the temperature

The set temperature of heating can be lowered at the same time as the ambient temperature when in Eco or Frost protection modes to improve the heat pump's performance.

The set temperature in comfort mode is the reference point. The set temperature applied in Eco or Frost protection mode is the temperature in comfort mode lowered by the differential:

- *P236*: lowering of the temperature in ECO mode.
- *P237*: lowering of the temperature in Frost protection mode

6.5.1.3 - Auto-adaptability

The auto-adaptability function allows to continually correct the heat curve to correspond to the needs of the household.

Auto-adaptability operates on two modes, which can be independently activated:

- Primary auto-adaptability (activated by *P238*) examines the heating needs over 24h cycles and adjusts the set temperature for heating when ambient temperature is requested.
- Complementary auto-adaptability (activated by *P239*) examines the heating needs over 3h cycles and adjusts the set temperature when ambient temperature is not requested. Complementary auto-adaptability requires the presence of an ambient temperature sensor and the activation of the anti-cold radiators function (*P234 = 2*).

6.5.1.4 - Ambient temperature reactivity

The reactivity function allows the **ORIMUM Pilot** to increase its set temperature for heating when the temperature read by the ambient temperature sensor is far from the set temperature.

In particular, it allows an accelerated increase in ambient temperature when returning to comfort mode.

This function is activated using parameter *P206* and requires the presence of an ambient temperature sensor.

6.5.2 - Programming and time-out functions

6.5.2.1 - Anticipation of return from holiday

When this function is activated, the time of return from holiday mode is no longer considered as the time for heating to resume, but instead is considered as the time that the ambient temperature should be at the set temperature. And so, the heating will resume in advance based on the planned return from holiday mode.

This anticipation can vary based on if the heating circuit has a weak inertia (*RADIATOR* setting) or strong inertia (*FLOORHEAT* setting). It also depends on the exterior temperature read (advanced anticipation on cold days).

The **ORIMUM Pilot** uses an arbitrary initial time-delay which may cause discomfort on the first use of the function (first return from holiday). The length of anticipation is automatically adjusted after the first use.

This function can be activated by setting parameter *P207* to *YES*.

6.5.2.2 - Automatic summer/winter changeover

With the automatic summer/winter changeover function activated, the **ORIUM Pilot** decides when to enact the changeover from one season to another, independently from the choice made by the user via the on/off button.

The **ORIUM Pilot** examines the exterior temperature for an extended period of time (standby time) and uses the maximum exterior temperature for heating («*OUTS.TMAX*»), corresponding to parameter *P202*) as a reference point:

- If the observed exterior temperature is continually above the maximum temperature, the **ORIUM Pilot** switches to summer mode.
- If the observed exterior temperature is continually below the maximum temperature, the **ORIUM Pilot** switches to winter mode.

This function can be activated by setting parameter *P204* to *YES*.

Parameter *P205* allows the adjustment of the length of standby time observed by the **ORIUM Pilot** before the changeover from one season to the other.

6.5.3 - Ambient temperature and heating circulation control functions

6.5.3.1 - Ambient temperature sensor hysteresis

Differential between the set ambient temperature and the measured ambient temperature to activate or deactivate a heating request.

Only applicable if an ambient temperature sensor is connected.

Controlled by parameter *P247*.

6.5.3.2 - Circulator pump speed

Speed is adjustable through parameter *P230*.

Also adjustable through the installer menu *INSTALLER*: «*FLOW.CIRC 1*».

6.5.3.3 - Heating circulator control

Heating circulation can be permanent or controlled by an ambient temperature control.

If being controlled, the heating circulator will only be activated when there is an ambient temperature request.

Control activated through parameter *P234*.

6.5.3.4 - Anti-cold radiators

This function is only possible with an ambient temperature sensor.

Circulation is always controlled by the ambient temperature control. When the set ambient temperature is reached, the **ORIUM Pilot** adopts a lower set water temperature but continues to circulate so the radiators do not become cold.

This function can be activated by setting parameter *P234* to *2*. The set temperature can be lowered through parameter *P235*.

6.5.4 - Functions related to the production of domestic hot water

6.5.4.1 - Domestic priority sharing

Allows the operation of the heating circuit at the end of the domestic hot water heating cycle when the tank's temperature has been raised sufficiently but before the cycle has been completed).

This function can be activated by setting parameter *P271*.



Underfloor heating systems cannot be used to share plumbing.

6.5.4.2 - Anti-legionellosis protection

Activates a regular cycle of raising the temperature of the domestic hot water volume above the set point to eliminate the presence of bacteria. If the function is activated, the cycle will be performed at the selected frequency and on the selected day of the week:

- Activation / choice of frequency on *P272*: deactivated, monthly or weekly.
- Choice of day on *P273*: if the frequency is weekly, the cycle will run every week on the selected day. If the frequency is monthly, the cycle will run on the first selected day of the month.

Note : If holiday mode is activated for more than 3 days, a anti-legionellosis cycle is activated on return from holiday.

Note :

The cycle starts by default at 22:00 with a set temperature of 60°C.

6.6 - Heat pump circulator speed

The pump speed can be set by parameter *P227* or via the «*INSTALLER*» / «*HP CIRC*» menu.

Note :

The heat pump circulator also ensures circulation in the sanitary exchanger (if a sanitary tank is connected to the **ORIUM Pilot**). Changing the speed of the heat pump circulator causes a change in the flow rate in the sanitary exchanger.

7 - MAINTENANCE AND TROUBLESHOOTING



All work on the pilot must be carried out by a qualified professional.

- **Follow all safety instructions!**
- **Disconnect the pilot from the electrical supply before opening it.**
- **Except for certain operations, it is not necessary to drain the system to work on the components.**
- **If the system must be drained, close the overflow valves and open the drainage valve.**
- **Do not get water on the control components.**

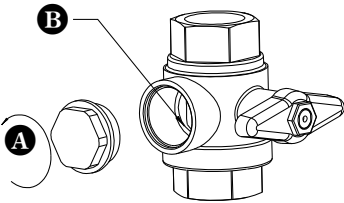
7.1 - Maintenance



**Operation to carry out at least
ONCE PER YEAR
BY A QUALIFIED PROFESSIONAL**

Clean the filter valve :

- 1 - Turn the knob to close the filter valve.
- 2 - Unscrew the access cap (A).
- 3 - Remove the clips and then remove the filter for cleaning (B).
- 4 - Put the valve back together.
- 5 - Open the heating circuit by turning the knob on the filter valve again.

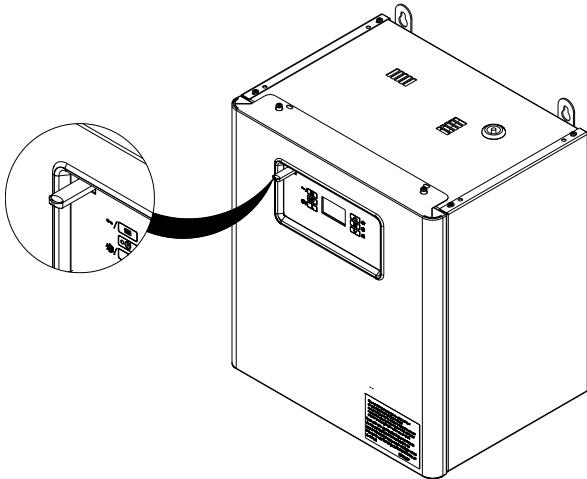


7.2- Diagnostics

7.2.1 - Loading the operating history

The operating history is saved in the memory of the electronic board. This data can be loaded onto the USB stick provided. The USB port is located on the left of the electronic card.

- 1) Get the USB stick that comes with the **ORIUM Pilot**.
- 2) Insert the key into the USB port (on the front).
- 3) As soon as the key is recognized*, the file transfer will begin. This can take several minutes (depending on the amount of operating history to transfer).



- 4) When the transfer is complete, there will be a sound signal and the message : «*REMOVE USB STICK*» will appear.

Remove the USB stick, **BUT ENSURE NOT TO REMOVE IT BEFORE THIS MESSAGE IS DISPLAYED.**

- 5) A file name «C14_historique» will be generated onto the USB stick. It contains the recent operating history of the pilot and the heat pump.

* If the USB stick is not recognized, disconnect and reconnect the electrical supply to the appliance and try again.
If the USB stick is still not being recognized, try a different USB stick.

In the user menu, the **USB** sub-menu allows you to set the frequency of monitoring of operating history (every minute, every 30 seconds...). These changes are not retroactive, they will only be visible in the **USB** history in the period following the changes being applied.

7.2.2 - Consulting the current operating state of the system

Enter the **EXPERT** menu (+) and then in the **DISPLAY** sub-menu, or enter the **DISPLAY** sub-menu directly by long pressing .

The **DISPLAY** sub-menu gives you access to the following values:

AMBIENCE 1	Measured ambient temperature (if using an ambient temperature sensor)
THERMOSTA	State of contact (if using a thermostat): 0 = open (no request) 1 = closed (request)
T_WATER	Temperature of domestic hot water
OUTSIDE	Exterior temperature
3W-VALVE	Position of the 3-way valve 0 = heating 1 = hot water
0/1 ECO	State of peak hours contact : 0 = open (peak hours) 1 = close (standard operation)
HEAT CURVE	Current temperature set point (determined by the heat curve)
T_PILOTE	Temperature at pilot outlet
VERSION	Pilot version number

The data specific to each heat pump is accessible in the **HEAT PUMP** sub-menus :

T_FLOW	Temperature at heat pump outlet
T_RETURN	Temperature at heat pump inlet
T_AIR	Temperature of heat pump air
T_EVAPOR	Temperature of evaporator
T_COMP 1	Temperature of compressor (compressor n°1 in the case of heat pumps with 2 compressors)
T_COMP 2	Temperature of compressor n°2 (2-compressor heat pumps)
VERSION	Heat pump version number
T_COND	Condenser temperature (sensor or probe)
COMP 1	Compressor 1 working state
COMP 2	Compressor 2 working state

The specific make-up data can be accessed in the **BACK UP** sub-menu :

BACK UP 1	Operating status of stage 1 of the electrical back-up system
BACK UP 2	Operating status of stage 2 of the electrical back-up system
BACK UP 3	Operating status of stage 3 of the electrical back-up system
POWER	Electric back-up power in use
T(S) BCKP 1	Meter for operation of stage 1 of the electrical back-up system
T(S) BCKP 2	Meter for operation of stage 2 of the electrical back-up system
T(S) BCKP 3	Meter for operation of stage 3 of the electrical back-up system

7.2.3 - Water sensors

Ohmic values for T_{PILOTE} (pilot outlet) and T_{WATER} (domestic water sensor placed in the tank) sensors

10 kΩ to 25°C

T (°C)	R (ohms)	T (°C)	R (ohms)
0	32 550	50	3 605
5	25 340	55	2 990
10	19 870	60	2 490
15	15 700	65	2 064
20	12 490	70	1 753
25	10 000	75	1 481
30	8 060	80	1 256
35	6 535	85	1 070
40	5 330	90	915
45	4 372		



7.2.4 - Exterior sensor

Ohmic values for outside ($OUTSIDE$) sensor

12kΩ to 25°C

T (°C)	R (ohms)	T (°C)	R (ohms)
-30	171 800	5	28 600
-25	129 800	10	22 800
-20	98 930	15	18 300
-15	76 020	20	14 770
-10	58 880	25	12 000
-5	45 950	30	9 804
0	36 130		

7.2.5 - Consulting the counters

To consult the **ORIUM Pilot** and heat pump counters, enter the **EXPERT** menu by pressing simultaneously on  + , and select the **COUNTERS** sub-menu.

Counter n°	Description	Unit
C-00*	Time of DHW request from tank	h
C-01*	Time of heating request from ambience (demand for ambience)	h
C-06*	Time of heat pump operation	h
C-07*	Time of heating request	h
C-08*	Time of the electrical back-up operation	h
C-11*	Defrosting cycles	quantity

HEAT PUMP

C-20	Heat pump operating time	h
C-21	Number of start-ups from compressor n°1	quantity
C-22**	Number of start-ups from compressor n°2	quantity
C-23	Operating time of compressor n°1	h
C-24**	Operating time of compressor n°2	h
C-25	Defrosting cycles	quantity
C-26	Frequent defrosting errors	quantity
C-27	Activation of high pressure switch for compressor n°1	quantity
C-28**	Activation of high pressure switch for compressor n°2	quantity
C-29	Activation of low pressure switch for refrigerant fluid	quantity
C-30	Activation of high temperature for compressor n°1 exhaust	quantity



Counter n°	Description	Unit
C-31**	Activation of high temperature for compressor n°2 exhaust	quantity
C-32	Overheating at heat pump outlet	quantity
C-35	Insufficient flow rate	quantity
C-36	BUS error	quantity

PILOT

C-40	Length of domestic hot water request (request from tank)	h
C-41	Length of heating request (ambient temperature request)	h
C-45	Length of heating request for back-up	h
C-46	Operating time of the electrical back-up	h
C-49	Overheating at pilot outlet error	quantity
C-50	Lack of water pressure error	quantity
C-51	Lack of water flow defect	quantity
C-52	Error loss of BUS connection	quantity

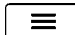

BACK-UP

C-46	Operating status of stage 1 of the electrical back-up system	h
C-47	Operating status of stage 2 of the electrical back-up system	h
C-48	Operating status of stage 3 of the electrical back-up system	h


* Counters which can be reset to zero by long pressing (5s) on  +  in the **COUNTERS** menu.

** Not applicable to single compressor units (HTI⁷⁰ 6 kW, HTI⁷⁰ 8 kW, HTI⁷⁰ 11 kW and HTI⁷⁰ 14 kW).

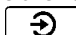
7.2.6 - Manual forcing of components

Enter the **EXPERT** menu ( + ) and then the **MANUAL** sub-menu.

7.2.6.1 - Circulator pump

Activate the forced operation of the circulator pump to check that circulation is working properly. To activate forced operation press .

7.2.6.2 - 3-way valve

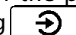
Select the 3-way valve and activate either the heating (**HEAT**) of domestic hot water (**SANI**) by pressing .

Observe the placement of the valve in each position.




HEAT : the valve switches to heating (lower position)
SANI : the valve switches to hot water (high position)



7.2.6.3 - Electrical back-up

Activate (always in the **MANUAL** menu of the pilot) the forced operation of the back-up boiler by pressing . Check that the boiler starts by checking for the corresponding icon on the display.

7.2.7 - Errors indicated by the pilot

Press  to stop the sound signal (the error persists).

Display	Error	Possible causes / Repair	Consequences	Reset
<i>AIR HP</i>	T_air error	The heat pump temperature sensor (Tair) is defective or not connected properly - Check the condition of the sensor cable and connector; - Check the ohmic value of the sensor; - Replace the sensor if the fault is confirmed.	Heat pump stopped	Automatic after repair
<i>PUMP.CIRC</i>	Power cable or PWM circulator cable error	The cables for the heat pump circulator are defective or not connected properly. - Check connection of PWM cable to circulator; - Check the connection of the power cable.	Complete stop	Manual
<i>HEAT.SUPPL.</i>	Power cable or PWM circulator cable error	Faulty or incorrectly connected heating/ECS circulator cables. - Check connection of the signal (PWM) cable to the circulator; - Check connection of the power cable to the circulator; - If installation has an underfloor circuit, check a possible power cut from the underfloor safety device (Overheating Protection Thermostat).	Complete stop	Manual
<i>AMBI ENCE</i>	Amb error	The ambient temperature sensor is defective (error when measuring the ambient temperature).	Heating circuit stopped	Automatic after repair
<i>BLOC. CIRC</i>	Circulator pump blocked	The circulator (heating/water) is blocked or is working with a load loss which is too high. - Check that no valves are closed in the circuit; - Check the condition of the filter; - Reset and check that the pump is turning using a screwdriver and the central pump screw	Complete stop	Manual
<i>BUS</i>	BUS	BUS communication error. - Check that the bus is correctly connected between the heat pump and the control unit; - Check that the bus cable is routed away from power cables or any other source of interference (neon lights, household appliances, etc.).	Complete stop	Automatic after repair
<i>AMB BUS</i>	Amb BUS error	The ambient temperature sensor («Amb» terminals on the pilot) is defective or not connected properly.	Heating circuit stopped	Automatic after repair
<i>COND. SENSO DIAG</i>	Condenser fluid pressure sensor error	The refrigerant circuit pressure sensor is defective or not connected properly.	Operation in downgraded mode	Automatic after repair
<i>EVAP.SENSO.</i>	Evaporator fluid pressure sensor error	The refrigerant circuit pressure sensor is defective or not connected properly.	Heat pump stopped	Automatic after repair
<i>PRES.SENSO.</i>	Pressure sensor error	The heating water pressure sensor is defective or not connected properly.	Complete stop	Automatic after repair
<i>INVR. COMM.</i>	Inverter communication error	HP circuit board is disconnected or defective. - Check the internal wiring of heat pump.	Heat pump stopped	Manual
<i>CP CTRL</i>	Loss of control of inverter	Error detected by the HP circuit board. - Wait around 20 minutes before quitting default mode. Pick-up a new USB file from pilot if default repeats.	Heat pump stopped	Manual
<i>CP ELEC</i>	Inverter having electrical problems	Error detected by the HP circuit board. - Wait around 20 minutes before quitting default mode. Pick-up a new USB file from pilot if default repeats.	Heat pump stopped	Manual
<i>CP MECA</i>	Inverter having mechanical problems	Error detected by the HP circuit board. - Wait around 20 minutes before quitting default mode. Pick-up a new USB file from pilot if default repeats.	Heat pump stopped	Manual
<i>CP THERM</i>	Inverter having thermal problems	Error detected by the HP circuit board. - Wait around 20 minutes before quitting default mode. Pick-up a new USB file from pilot if default repeats.	Heat pump stopped	Manual
<i>CP1 OVRHT. ERR</i>	Multiple overheating on compressor 1	- The set temperature for heating during warmer months is too high; - Problem with refrigerant fluid load.	Heat pump stopped	Manual

Press  for 2s to clear manual reset faults (indicated below by «press  »).

Display	Error	Possible causes / Repair	Consequences	Reset
CP2 OVRHT. ERR	Multiple overheating on compressor 2	- The set temperature for heating during warmer months is too high; - Problem with refrigerant fluid load.	Heat pump stopped	Manual
FLOW OR FLOW 1	No flow HP circuit	- The filter valve needs maintenance; - A valve on the distribution circuit is closed; - The circuit is blocked; - Circulating pump has been stopped by the underfloor safety device (Overheating Protection Thermostat); - Ensure that the check valve is mounted in the right direction.	Heat pump stopped	Manual
REV. FLOW	Flow rate is reversed	- The hydraulic connection between the heat pump and the pilot is reversed; - The heat pump's inlet and outlet sensors are reversed; - One of the heat pump temperature sensors (water output or water input) is showing a wrong ohmic value.	Heat pump stopped	Manual
FREQ.DEFRD.	Defrosting too often error	- The heat pump's evaporator or the grills of the crankcase heater are obstructed and are preventing proper air flow; - The free space around the heat pump to ensure sufficient air flow has not been respected; - Problem with refrigerant fluid load.	Heat pump stopped	Manual
LONG DEFRD.	Defrosting cycle is too long error	- Defrosting valve blocked.	Heat pump stopped	Manual
"MAIN TENAN EXCH ANGER"	Maintenance is needed on the hot water exchanger	- Hot water exchanger is clogged; - The tank's water sensor is misplaced (check its position in the immersion sleeve of the hot water tank).	Informative message	Manual
OFF- PEAK	Off-peak hours signal	- Check that the off-peak contact relay on the electricity counter is working properly (closed during off-peak hours); - Check that the off-peak relay is connected to the pilot.	Operation in peak time hours	Manual
CLOC K	Clock	- Proceed again to the setting of date and hour; - If default remains, replace the main electronic board in the pilot.	Permanent operation in ECO mode	Replace circuit board
INV T1/T2	Compressor sensors reversed error	The sensors for compressor 1 and compressor 2 have been reversed (affects the heat pumps and both compressors).	Heat pump stopped	Manual
SOFT WARE	Software update necessary	The software versions of the heat pump and pilot are incompatible, proceed to a software update, using USB memory stick.	Complete stop	Automatic after repair
HP M EMORY	HP memory card	- Reprogram the heat pump, using USB memory stick on pilot; - If default remains, replace the main electronic board in the heat pump.	Heat pump stopped	Automatic after repair
MEMO RY	Pilot memory card	- Reprogram the pilot, using USB memory stick; - If default remains, replace the main electronic board of the pilot.	Complete stop	Automatic after repair
MODB US	External control protected by Modbus	- Programming error of the central GTB/GTC; - Too many interventions in the same day; - Check the programming of the external controller piloting the installation.	Operation of circuits in Frost protection mode	Manual or automatic after 24h
HP N UMBER DIAG	Number of HPs connected error	- The number of heat pumps declared at P215 is not accurate; - The HP has been unplugged or switched off; - Check the state of the fuses on heat pump; - In case of three-phases power supply to the heat pump, check that phases are not mixed.	Informative message	Automatic after repair

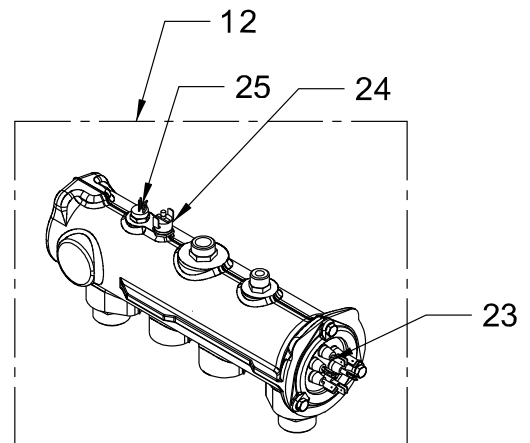
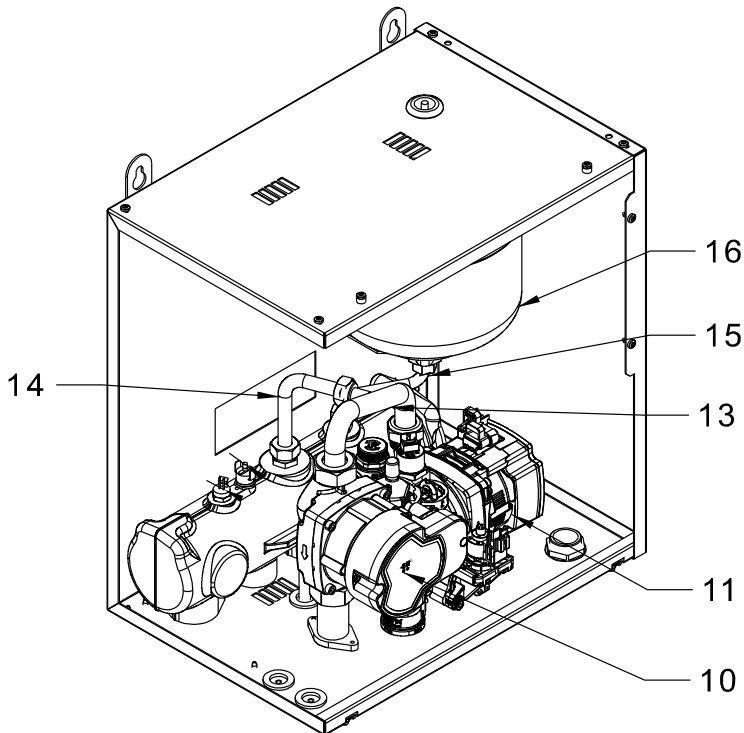
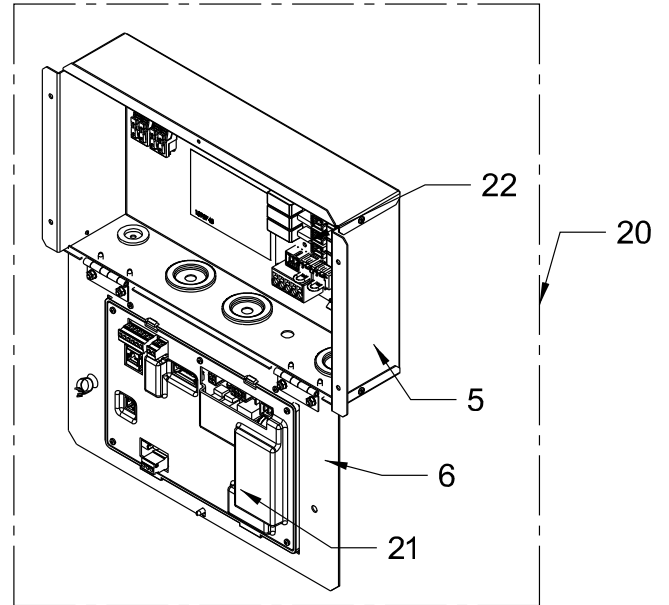
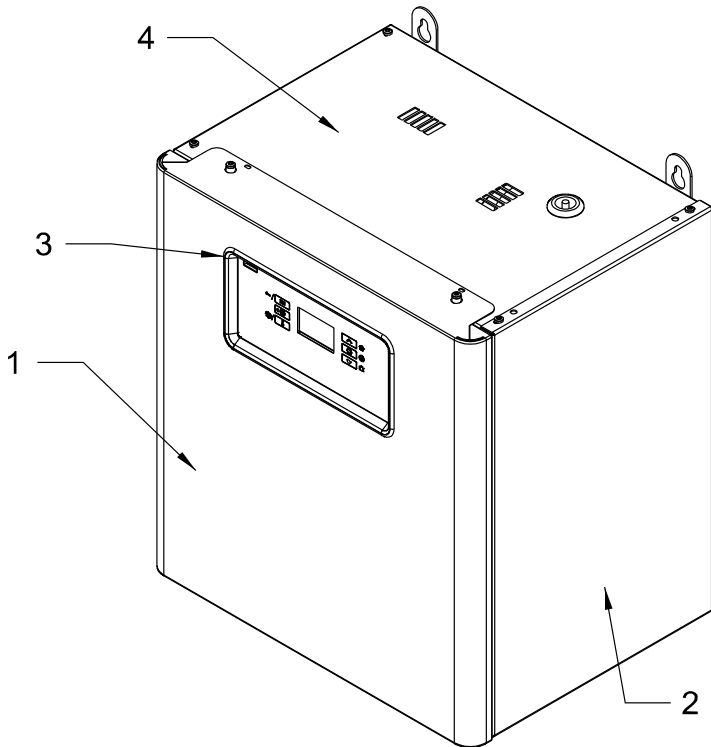
The messages signalled by «DIAG» are informative and do not interrupt the operating of the **ORIMUM Pilot**. This information comes from the analysis of the operating history of the **ORIMUM Pilot** and is designed to assist you in the maintenance of your installation.

Display	Error	Possible causes / Repair	Consequences	Reset
<i>HP O UTPUT.</i>	Overheating at HP outlet	The temperature at the heat pump outlet is abnormally high. - Check status of the filter (clean the filter); - Ensure that circulator provides sufficient flow rate to the heat pump; - Check the good operation of circulators 1 and 2 (option).	Heat pump stopped	Automatic
<i>HP O UTPUT ERR</i>	Multiple overheating at HP outlet	- Drop in flow rate when traveling through the heat pump; - Repeated heating requests for low heating needs (installation design).	Heat pump stopped	Manual
<i>CP1 POWER</i>	Compressor 1 power supply error	There is a problem with the power supply to the compressor (cable,...).	Heat pump stopped	Manual
<i>CP2 POWER</i>	Compressor 2 power supply error	There is a problem with the power supply to the compressor (cable,...).	Heat pump stopped	Manual
<i>EXT. SENSO. DIAG</i>	Exterior sensor placement error	- The exterior sensor is badly positioned and is being influenced by heat or cold sources; - The exterior sensor or the air sensor is defective.	Informative message	Manual
<i>PRES SURE</i>	Lack of water pressure	Water pressure is less than 0.3 bar - Water pressure in the circuit must be over 0.5 bar at cold temperature - Check the heating circuits watertightness and repair the possible water leaks - Bleed the air from the upper parts of the pilot - Check that the heat pump safety valve is not leaking - Check that the pilot safety valve is not leaking - Ensure that expansion vessel is large enough for the installation's mater capacity	Complete stop	Automatic after pressure is returned
<i>CP1 RAMP</i>	Temperature ramp is insufficient for Compressor 1	- Compressor blocked or error in power supply (cable, voltage); - Defrosting valve blocked; - Compressor 1 sensor faulty.	HP stopped and restart (With anti-short cycle)	Automatic
<i>CP2 RAMP</i>	Temperature ramp is insufficient for Compressor 2	- Compressor blocked or error in power supply (cable, voltage); - Defrosting valve blocked; - Compressor 2 sensor faulty.	HP stopped and restart (With anti-short cycle)	Automatic
<i>REPR OG / PILOT / HP</i>	Reprogramming error	An error is detected on the reprogramming circuit on one the bus's circuit boards - Reprogram the controllers (pilot and heat pump) - If default remains, reprogramming has to be done at the factory	Informative message	Automatic after repair
<i>CUTO.LPRE</i>	Low pressure error	- The set temperature for heating during colder months is too low; - Ensure that nothing is covering the heat pump evaporator nor is blocking the heat pump fan.	Heat pump stopped	Automatic
<i>CUTO.LPRE ERR</i>	Low pressure error	- Check the good operation of the heat pump fan; - Check the condition of the evaporator surface and remove anything that could impede the air flow throughout the fins (leaves of else); - In the event of total freezing, stop the heat pump and let it melt. Sprinkle with hot water if needed; - The set temperature for heating during colder months is too low - Problem with refrigerant fluid load; - Cause could be a default on defrosting check valve or on thermostatic valve; Maintenance on fluid circuit must be done by a qualified engineer.	Heat pump stopped	Manual
<i>CUTO.HPRE 1</i>	High pressure switch HP1	- Check status of the filter (clean the filter); - Ensure that air has been correctly purged from the heating circuit; - Ensure that heat pump circulator is operating well; - The set temperature for heating during warmer months is too high; - Clean the plate heat exchanger input; - Problem with refrigerant fluid load; - Cause could be a default on compressor check valve or on 4-ways valve. Maintenance on fluid circuit must be done by a qualified engineer.	Heat pump stopped	Manual

Display	Error	Possible causes / Repair	Consequences	Reset
<i>CUTOHPRE2</i>	High pressure switch HP2	<ul style="list-style-type: none"> - Check status of the filter (clean the filter); - Ensure that air has been correctly purged from the heating circuit; - Ensure that heat pump circulator is operating well; - The set temperature for heating during warmer months is too high; - Clean the plate heat exchanger input; - Problem with refrigerant fluid load; - Cause could be a default on compressor check valve or on 4 ways valve. <p>Maintenance on fluid circuit must be done by a qualified engineer.</p>	Heat pump stopped	Manual
<i>T-CY LIND</i>	Tank sensor out of place	The water sensor is out of place in the tank, or it is placed too low in the tank (placed below the heat exchanger or near the cold water inlet)	DHW circuit stopped	Manual
<i>CP1 SENSO.</i>	T1 defect	Defect of incorrect connection of the temperature sensor for the compressor – or compressor n°1 depending on the model (connector TCP1 on the HP)	Heat pump stopped	Automatic after repair
<i>CP2 SENSO.</i>	T2 defect	Defect of incorrect connection of the temperature sensor for compressor n°2 (TCP2)	Heat pump stopped	Automatic after repair
<i>T-WA TER</i>	Tballon defect	Defect of incorrect connection of the temperature sensor for the DHW tank (terminal «Bal»)	DHW circuit stopped	Automatic after repair
<i>T-FLOW</i>	TsPAC defect	Defect of incorrect connection of the temperature sensor at the heat pump outlet (TwOUT)	Heat pump stopped	Automatic after repair
<i>T-PI LOTE</i>	TsEAU defect	Defect of incorrect connection of the temperature sensor of the pilot	Back-up stopped	Automatic after repair
<i>T-PI LOTE DIAG</i>	Overheating at pilot outlet	<ul style="list-style-type: none"> - Check the good operation of circulators 1 and 2 (option); - Check the good operation of the electric back-up power relays; - Check the status of the signal piloting the back-up boiler; - Insufficient flow rate to irrigate the pilot. 	Back-up stopped	Automatic
<i>T-PI LOT ERR</i>	Multiple overheatings at pilot outlet	Carry out the same checks as for the T-PILOTE DIAG alert above.	Back-up stopped	Manual
<i>T-RETURN</i>	TePAC defect	Defect of incorrect connection of the temperature sensor at the heat pump inlet (TwIN)	Heat pump stopped	Automatic after repair

8 - SPARE PARTS

8.1 - ORIUM Pilot



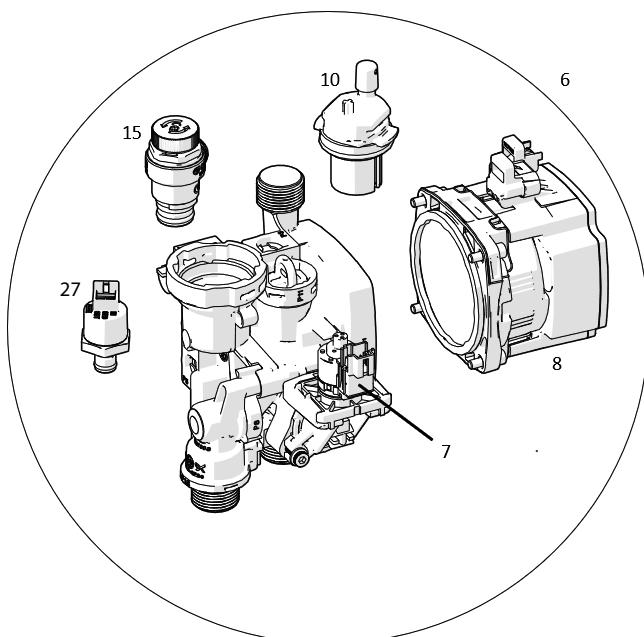
Note : Availability of spare parts :

Spare parts which belong our products are available during 10 years, from the end of the mass production, except from an event beyond our control.

Rep.	Ref.	Description
1	B4485897	Front panel
2	B4485895	Side panel
3	B1759317	Hubcap
4	B4485896	Upper cover
5	B4485898	Support
6	B4485899	Terminal access door
10	B1242061	Circulator pump
11	B1244739	Hydraulic block
12	B4995256	Fitted cast-iron tank
13	B1449050	Hydraulic block/circulator pump pipe
14	B1449049	Bypass pipe
15	B1449112	Hydraulic block pipe to expansion vessel
16	B1472710	Expansion vessel
20	B4995254	Electrical terminal
21	B4994836	Pre-assembled control circuit board
22	B49951051	Power board replacement kit
23	B1244718	6 kW electrical backup
24	B1239012	Overheat protection thermostat
25	B1243534	Temperature sensor
Not visible	B1242043	Wiring
Not visible	B1242082	Thermal wiring
Not visible	B1244852	C14 > C11 connecting cable
Not visible	B1244819	C14 > C11 power supply wiring

Ref.	Description
B1244401	Exterior sensor

8.2 - Hydraulic block



Rep.	Ref.	Description
6	B1244739	Hydraulic bloc
7	B1944638	3-way valve body
8	B1244393	Circulator pump
10	B1939259	Automatic air bleed body
15	B1239094	3 bar pressure relief valve
27	B1939256	Pressure sensor

9 - WARRANTY

9.1 - Warranty coverage

The spare parts (see attached list) are guaranteed for a period of **two (2) years** starting from the date of first use if the warranty form was returned to the manufacturer. In the absence of this form, the date of manufacture will be used as a reference point for the start of warranty.

The appliance is guaranteed against any manufacturing defect, on the express condition that it has been installed by a qualified professional in accordance with our technical manuals, standard C 15-100 for electrical connections, and DTU plumbing 60-1 addendum 4 (hot water) for domestic water.

Under no circumstances does a defective part warrant the replacement of the whole appliance.

The warranty only applies to parts which we identify as having been defective at manufacture.

If necessary, the part or product should be returned to the manufacturer, but only with prior agreement from our technical department. Labour, transport, and packaging costs are the responsibility of the user. Repairs on a device will not result in compensation.

The warranty on replacement parts ends at the same time as the warranty of the appliance.

The warranty only applies to the appliance and its components and excludes any part or installation external to the appliance: electrical parts, hydraulic components, etc.

The warranty will not apply in the absence of, insufficient, or improper, maintenance of the appliance.

It is essential to carry out regular annual maintenance on the appliances and on the installation to ensure sustained use and durability. This maintenance should be carried out by your installer, or by an approved technical centre. In the absence of regular maintenance the warranty is rendered null and void.

If an appliance is presumed to be the cause of any damage, it must not be moved or tampered with before an expert assessment has been carried out.

9.2 - Limitations of warranty

9.2.1 - General information

The warranty does not apply to defects or damage caused by situations or events such as:

- Misuse, abuse, negligence, improper transport or handling.
- Incorrect installation, or installation which has been carried out without following the instructions in the manual and user guide.
- Insufficient maintenance.
- Modifications or changes carried out on the appliance.
- Impacts from foreign objects, fire, earthquakes, floods, lightning, ice, hailstones, hurricanes or any other natural disaster.
- Movement, imbalance, collapse or settling of the ground or the structure where the appliance is installed.
- Any other damage which is not due to defects in the product.

The ORIUM Pilot is not guaranteed against:

- Variations in the colour of the appliance or damage caused by air pollution, exposure to chemical elements, or changes brought about by adverse weather conditions
- Dirt, rust, grease or stains which occur on the surface of the appliance.

9.2.2 - Cases (not limited to) for exclusion from warranty

9.2.2.1 - Usages

Cases (not limited) for exclusion from warranty:

- Filling with anything other than domestic cold water from the drinking water network; such as rain-water, well-water, etc. or using domestic cold water which is particularly aggressive and not in compliance with the national regulations in effect in the country of use (DTU 60-1 addendum 4 concerning hot water).
- Switching on the appliance without first having filled it with water.

9.2.2.2 - Handling

Cases (not limited) for exclusion from warranty:

- Any damage sustained by impacts or falls during handling after delivery from the factory.
- Deterioration in the condition of the appliance after handling where the instructions in the manual have not been followed.

9.2.2.3 - Installation site

Cases (not limited) for exclusion from warranty:

- Placement of the **Pilot** in a location where it could be subject to ice frost or other adverse weather conditions.
- Not positioning the appliance in accordance with the instructions in the installer manual.
- Installation of the appliance against a wall which cannot support the weight of the appliance when filled with water.
Costs incurred due to access difficulties are not the manufacturer's responsibility.

9.2.2.4 - Electrical connections

Cases (not limited) for exclusion from warranty:

- Faulty electrical connection which does not conform to the national standards in effect.
- Not following the electrical connection diagrams provided in the installer manual.
- Electrical supply being significantly over- or under- the required voltage.
- Not respecting the supply cable sections.
- Absence of, or insufficient electrical protection throughout the appliance (fuses / circuit breaker, grounding...).
- Damages caused after the neutralisation of the safety aquastat, or due to not having installed an appropriate safety aquastat for underfloor heating.

9.2.2.5 - Hydraulic connections

Cases (not limited) for exclusion from warranty:

- Reversing the inlet/outlet connections.
- Water pressure over 7 bar.
- Absence of, improper mounting of, or obstruction of pressure-relief valves.
- Not installing pressure relief valves directly on the outlet for domestic cold water of the appliance.
- Installing pressure relief valves which do not comply with the national regulations in effect (NF EN 1487 for France).
- Using pressure relief valves which are previously used.
- Not respecting the plumbing of the pressure relief valves.
- Abnormal corrosion due to improper hydraulic connections (direct contact between iron/copper) without a sleeve (cast iron, steel, or insulated).
- External corrosion due to piping being improperly sealed.
In no case can compensation be claimed due to damages caused by the absence of thermostatic mixing valves.

9.2.2.6 - Accessories

The warranty does not cover faults or defects resulting from:

- Installation of accessories which do not comply with our recommendations.
- The use of accessories which do not come from the manufacturer of the appliance.

9.2.2.7 - Maintenance

Cases (not limited) for exclusion from warranty:

- Not maintaining the appliance.
- Not maintaining the pressure relief valves leading to high pressures.
- Abnormal levels of limescale on the heating elements and of the safety devices.
- Not using parts issued by the manufacturer.
- Outer casing and bodywork being subjected to any external damage.

APPENDICES

A1 - Technical specifications

A1.1 - General characteristics

	ORIMUM Pilot	
	3 G 6 mm ²	5 G 2,5 mm ²
Power supply cable cross-section*	32A C-curve	16A C-curve tetra-polar
Circuit breaker	230 V single-phase	400 V three-phase
Electrical supply	-	
Volume tampon	400 x 500 x 302	
Dimensions L x H x P (mm)	24 kg	
Weight when empty	26/34 male (1")	
Hydraulic connection	Electric only	
Back-up	0 à 6 kW	
Electrical back-up output	Included	
3-way valve for domestic water	5 L	
Expansion vessel	2,5 bar	
Maximum hydraulic pressure	Included	
1" filter valve (delivered with connection kit)		

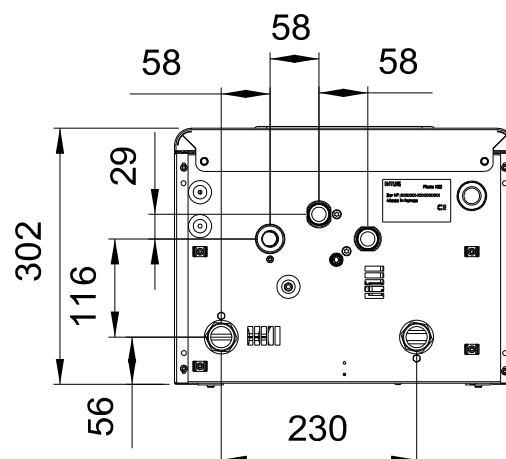
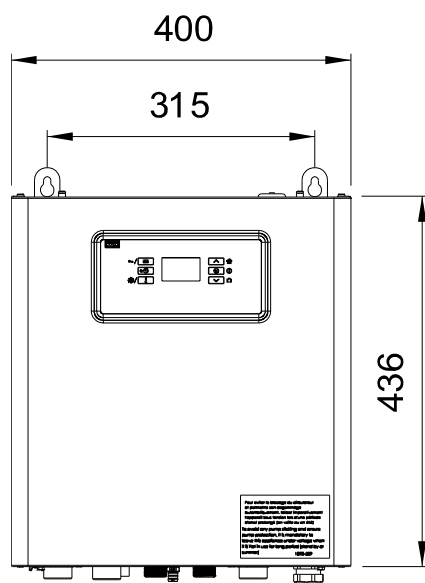
* Minimum cross-section for copper cables.

A1.2 - EU declaration

This device complies with CEI 60335-1, CEI 60335-2-40 electrical securities international norms. CE marking on the device attests its conformity to the following Communal Guidelines, which he answers to essential requirements :

- Low Voltage guideline (BT) : 2014/35/UE.
- Electromagnetic Compatibility: (EMC): 2014/30/UE.
- Eco conception guideline applicable to products related to energy : 2009/125/CE.
- Restriction of Hazardous substances in electrical and electronic equipment (ROHS) : 2011/65/UE.

A1.3 - Dimensions



A2 - Hydraulic connections between the pilot and the heat pumps

	HTi ⁷⁰ 6 kW				HTi ⁷⁰ 8 kW			
	Steel	Copper	Multilayer	PEX	Steel	Copper	Multilayer	PEX
If distance between HP and Pilot < 10 m (the equivalent of 20m linear of loss of load)	20/27 (3/4")	19/22	20/26	20/28	26/34 (1")	25/28	20/26	20/28
If distance between HP and Pilot > 10 m and < 20 m (the equivalent of 40 m linear of loss of load)	20/27 (3/4")	19/22	20/26	20/28	26/34 (1")	25/28	20/26	20/28
If distance between HP and Pilot > 20 m and < 35 m (the equivalent of 70 m linear of loss of load)	20/27 (3/4")	25/28	20/26	20/28	26/34 (1")	25/28	20/26	26/32
If distance between HP and Pilot > 35 m and < 50 m (the equivalent of 100 m linear of loss of load)	26/34 (1")	25/28	26/32	26/32	26/34 (1")	25/28	26/32	26/32

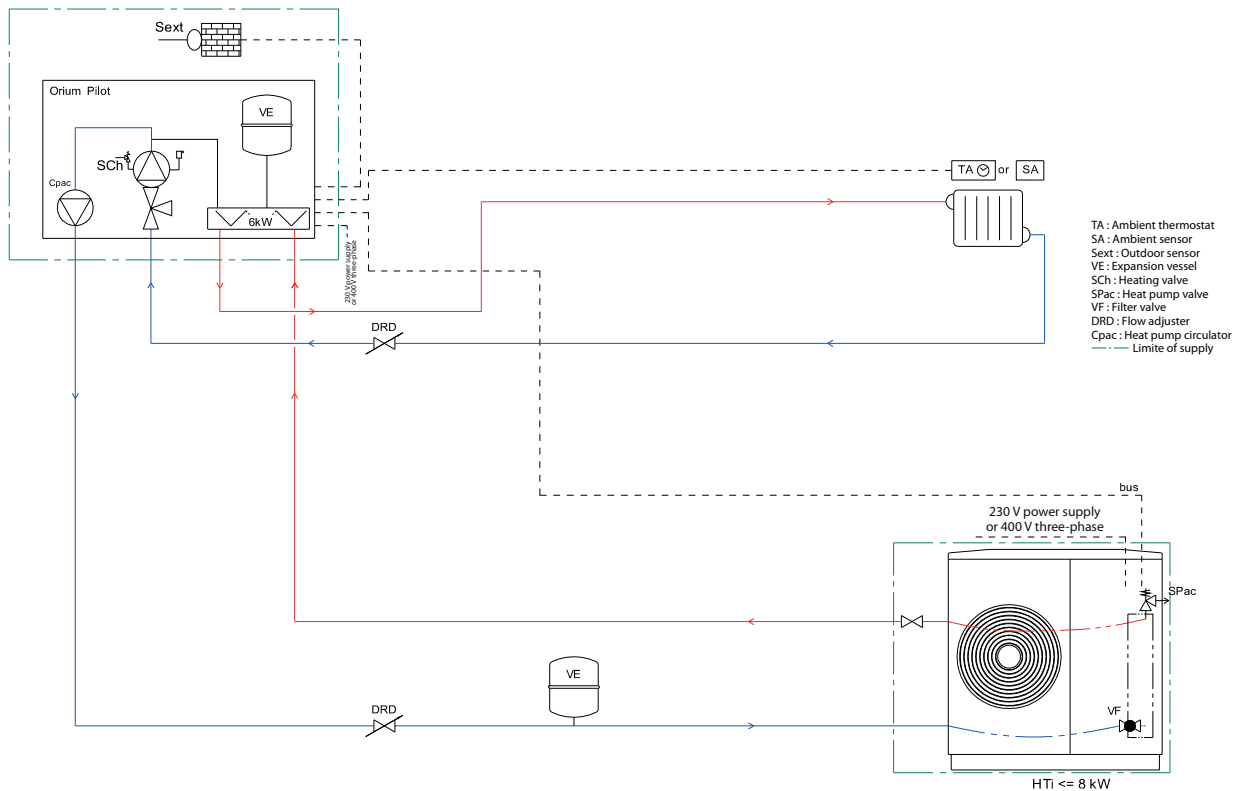
A3 - Hydraulic schematic diagrams

In the diagrams below, in the case of configurations with underfloor circuit(s), a balancing element (called DRD on the diagram) must be installed for each underfloor loop.

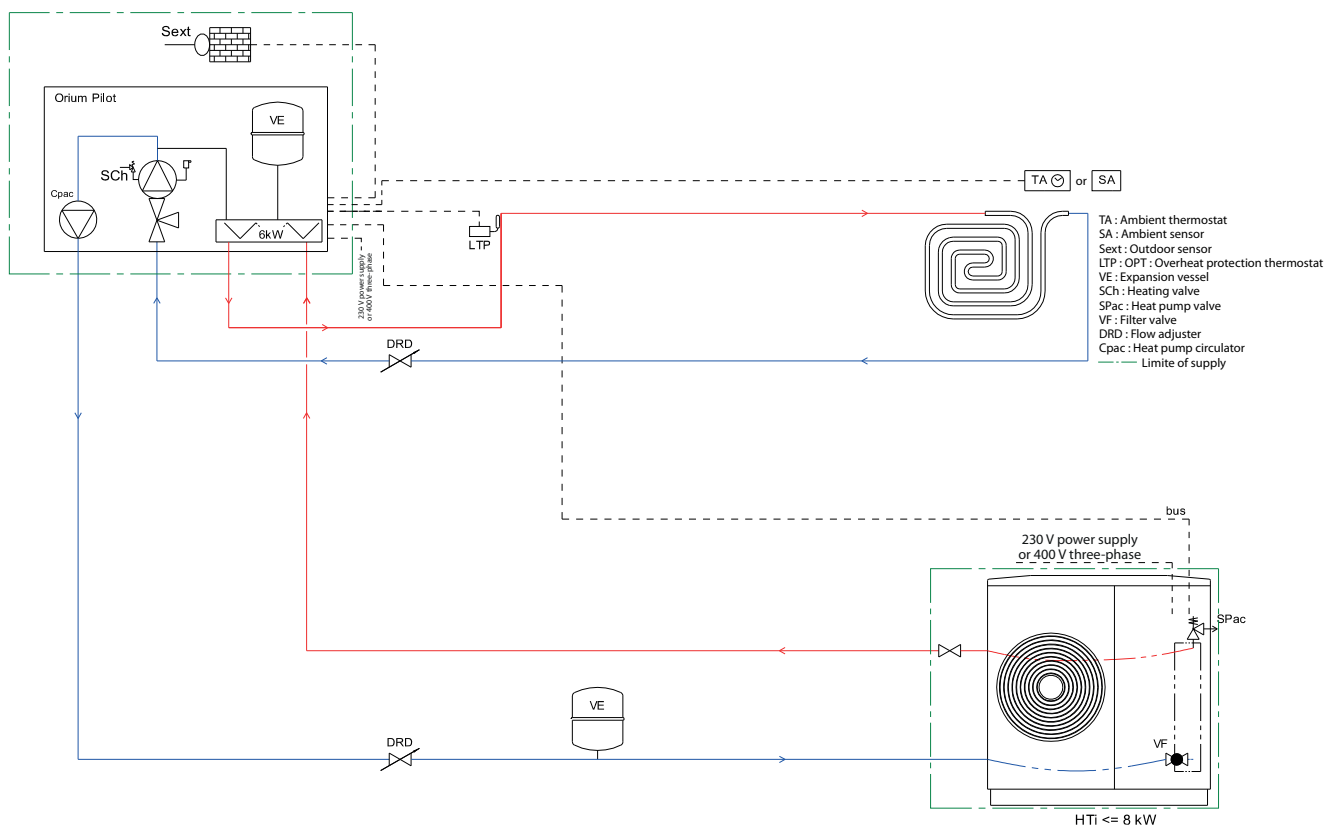
To simplify the diagrams, only one element has been shown on the circuit return.

A3.1 - ORIUM Pilot

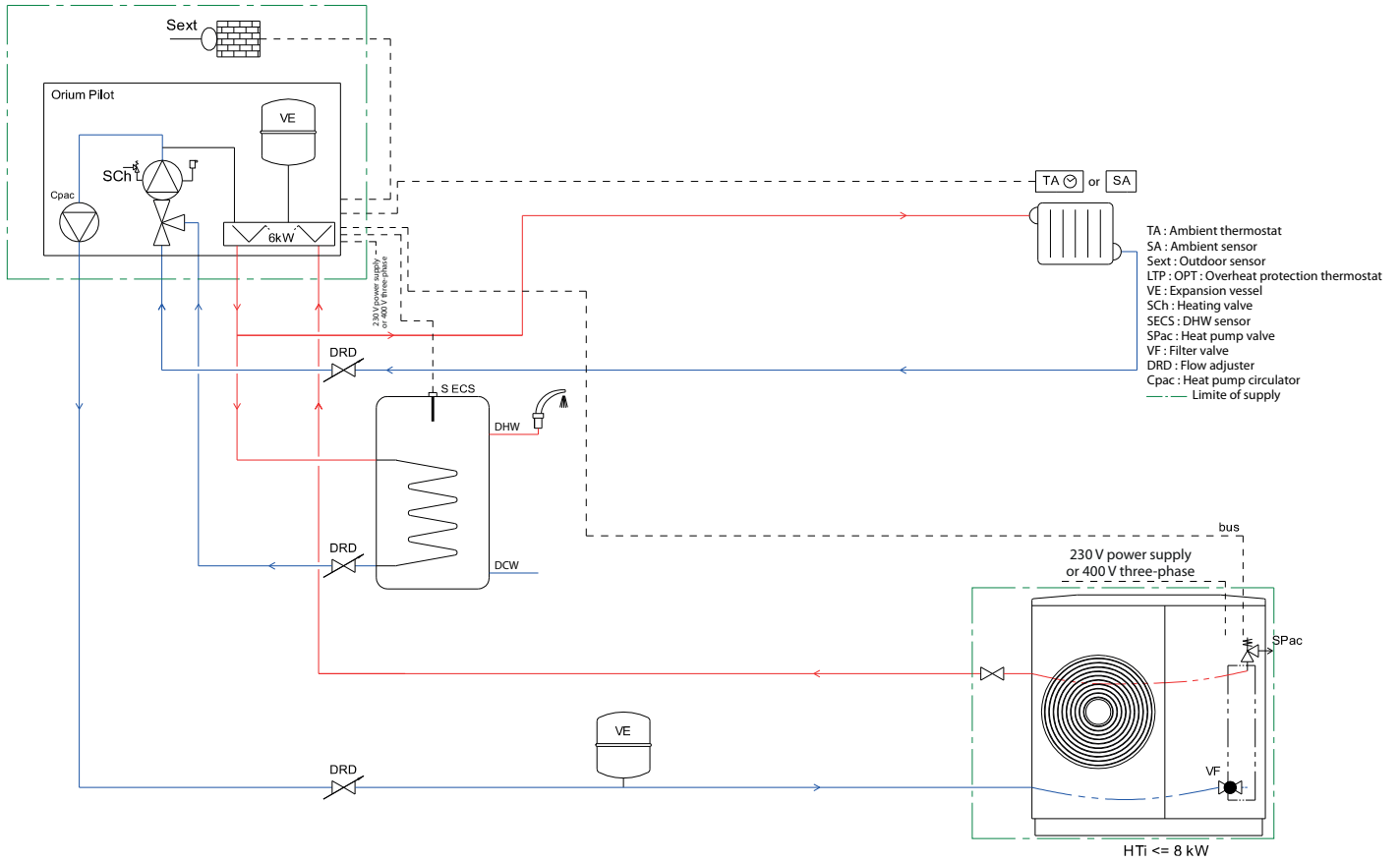
A3.1.1 - Connection of 1 radiator circuit



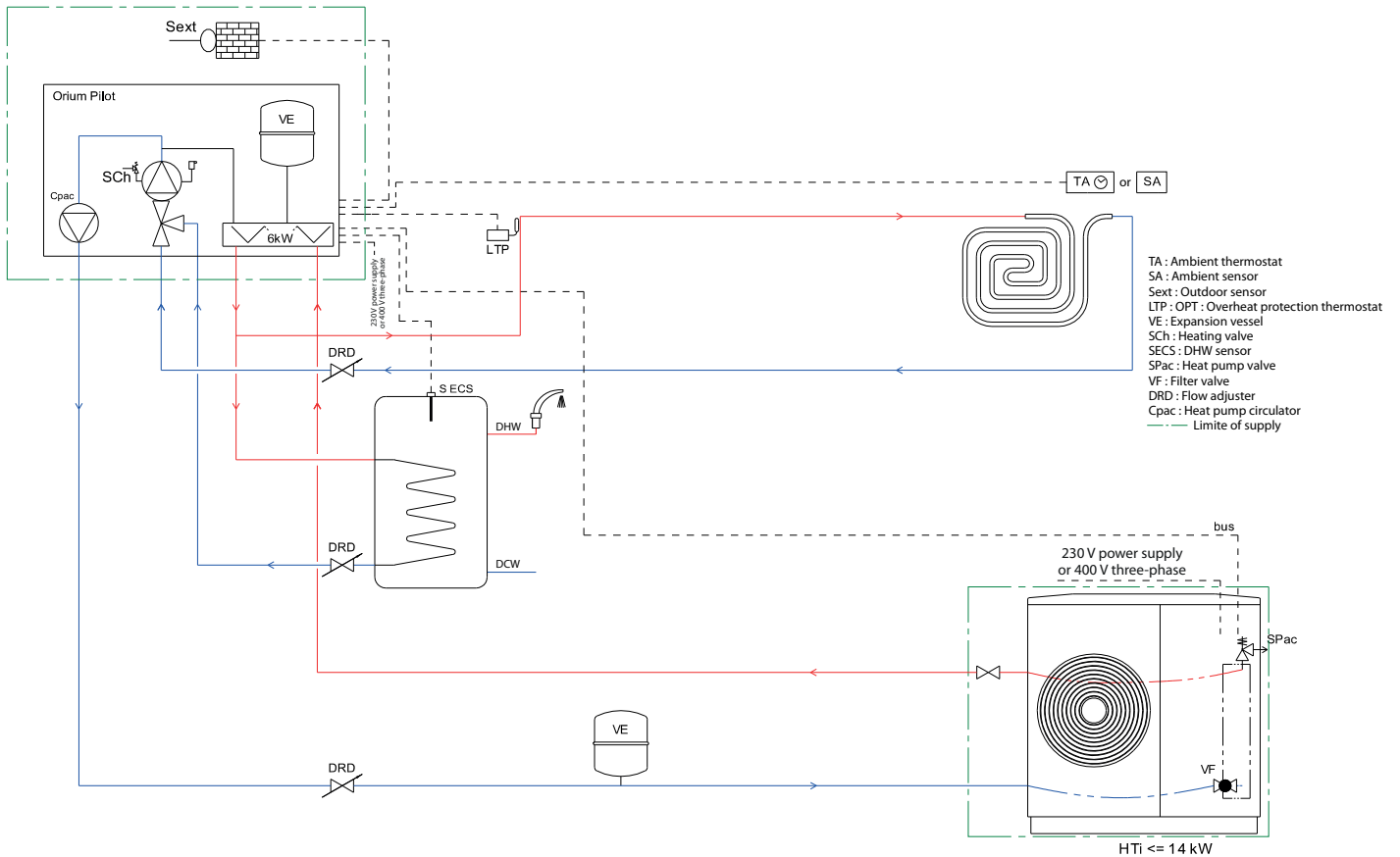
A3.1.2 - Connection of 1 underfloor heating circuit



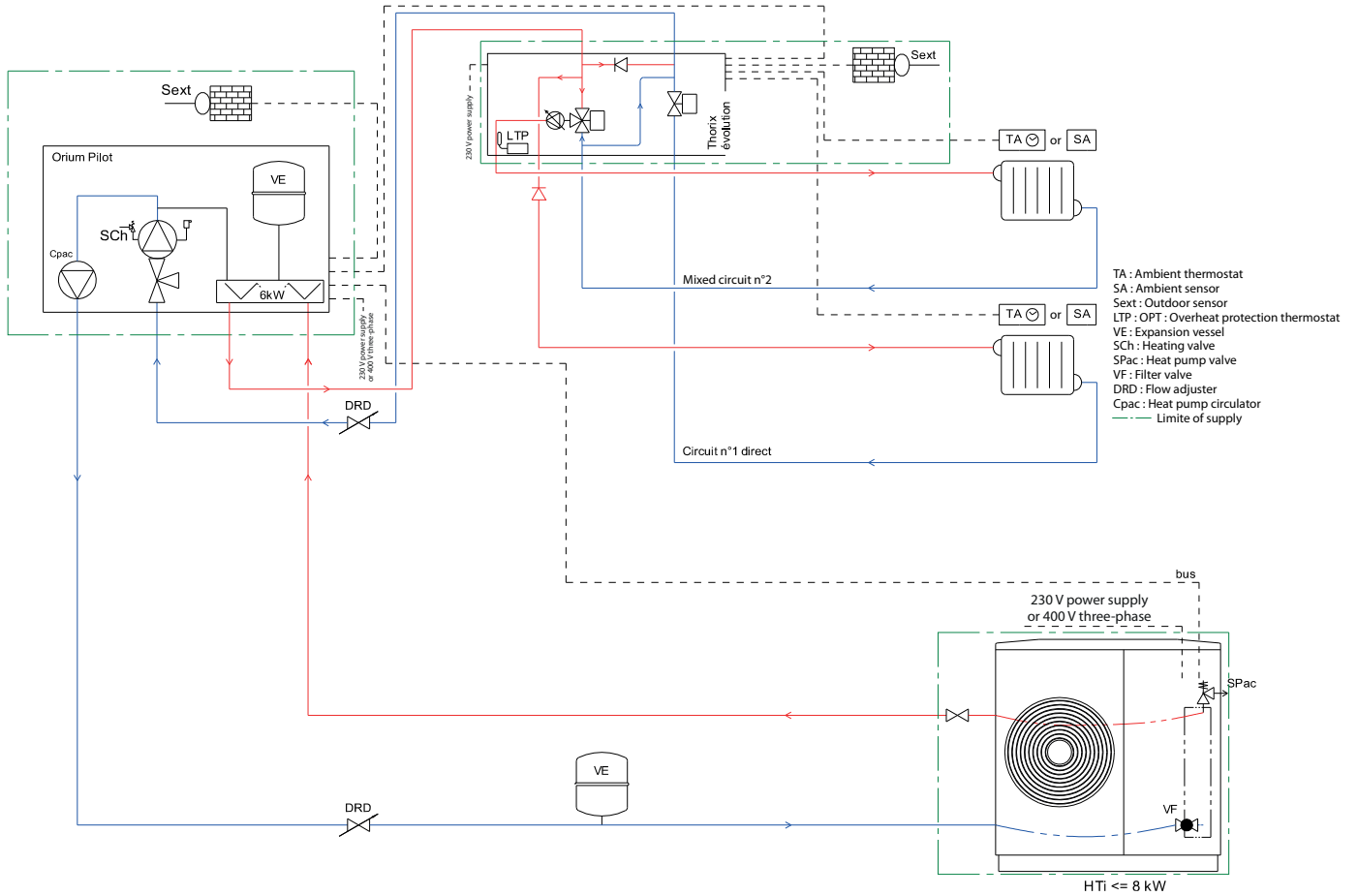
A3.1.3 - Connection of 1 radiator circuit and 1 DHW circuit



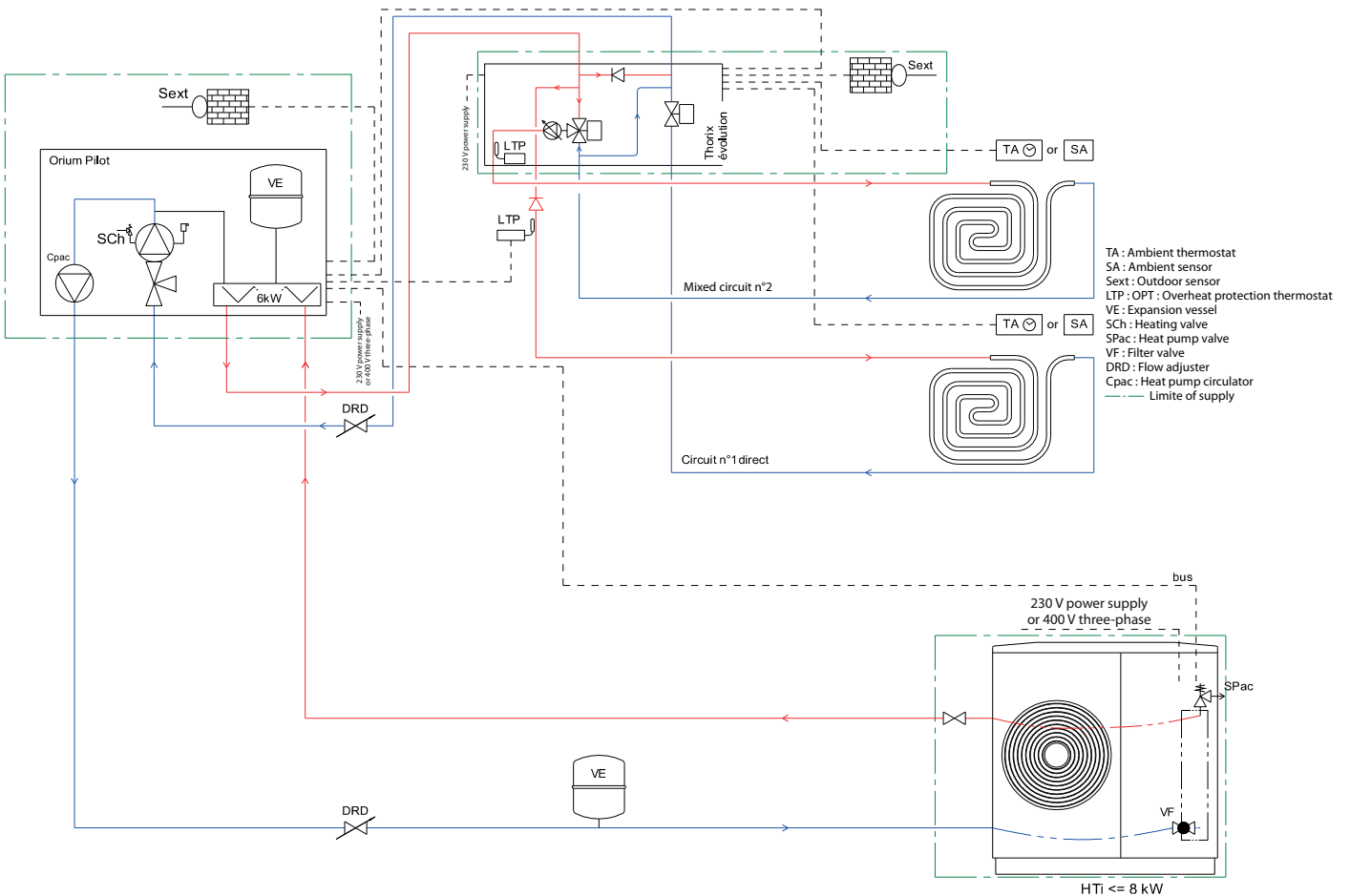
A3.1.4 - Connection of 1 underfloor heating circuit and 1 DHW circuit



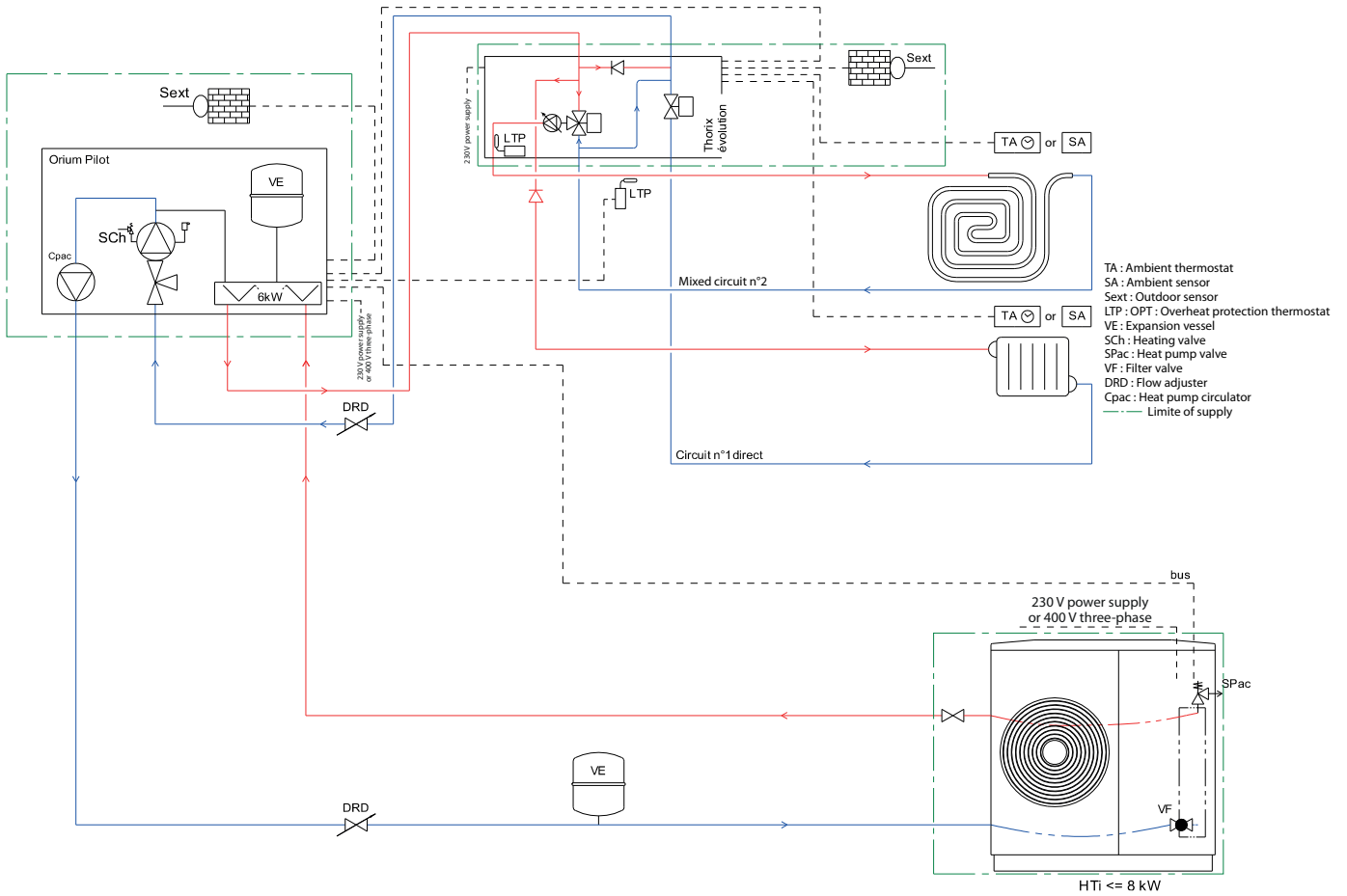
A3.1.5 - Connection of 2 radiator circuits



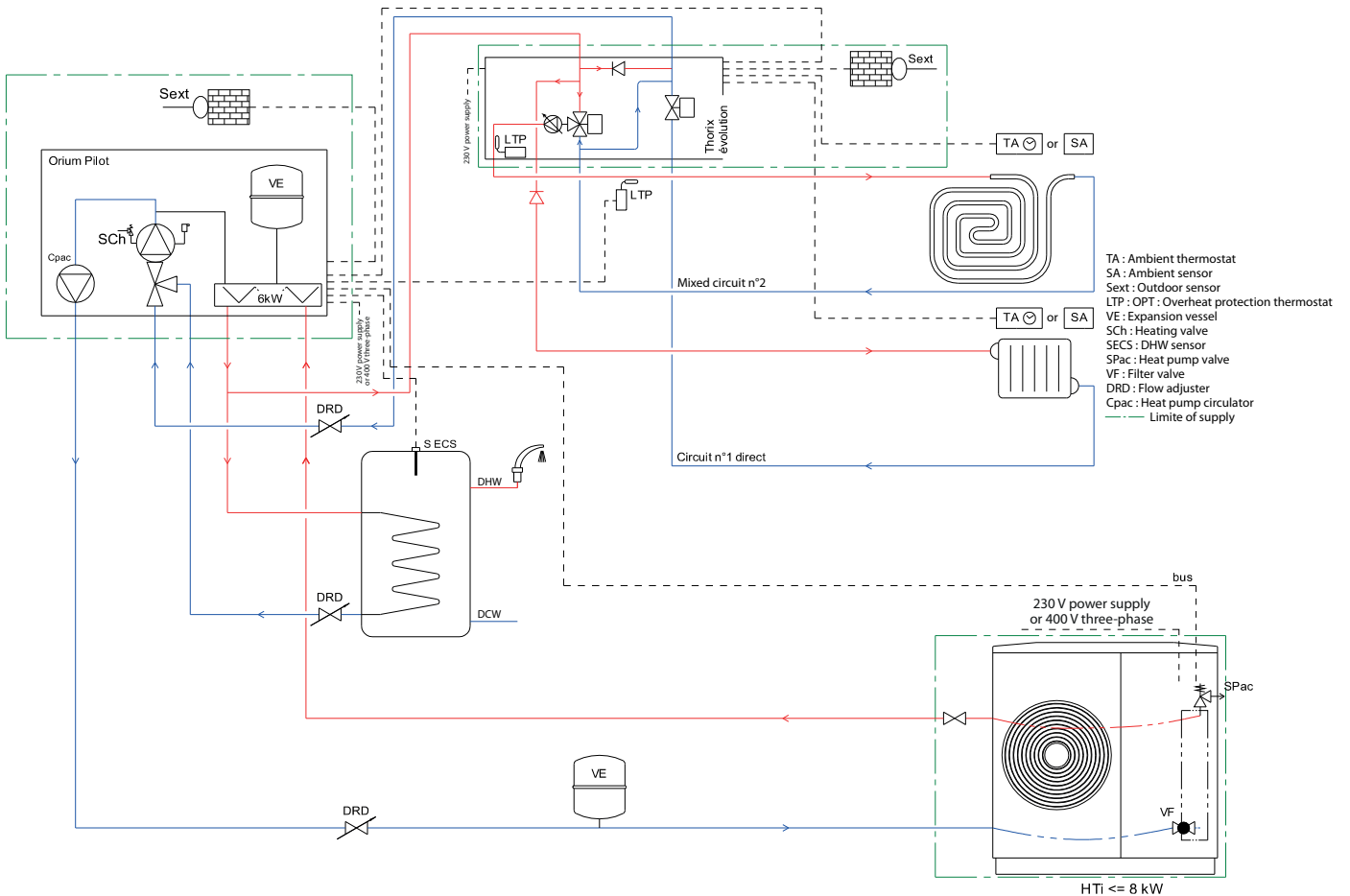
A3.1.6 - Connection of 2 underfloor heating circuits



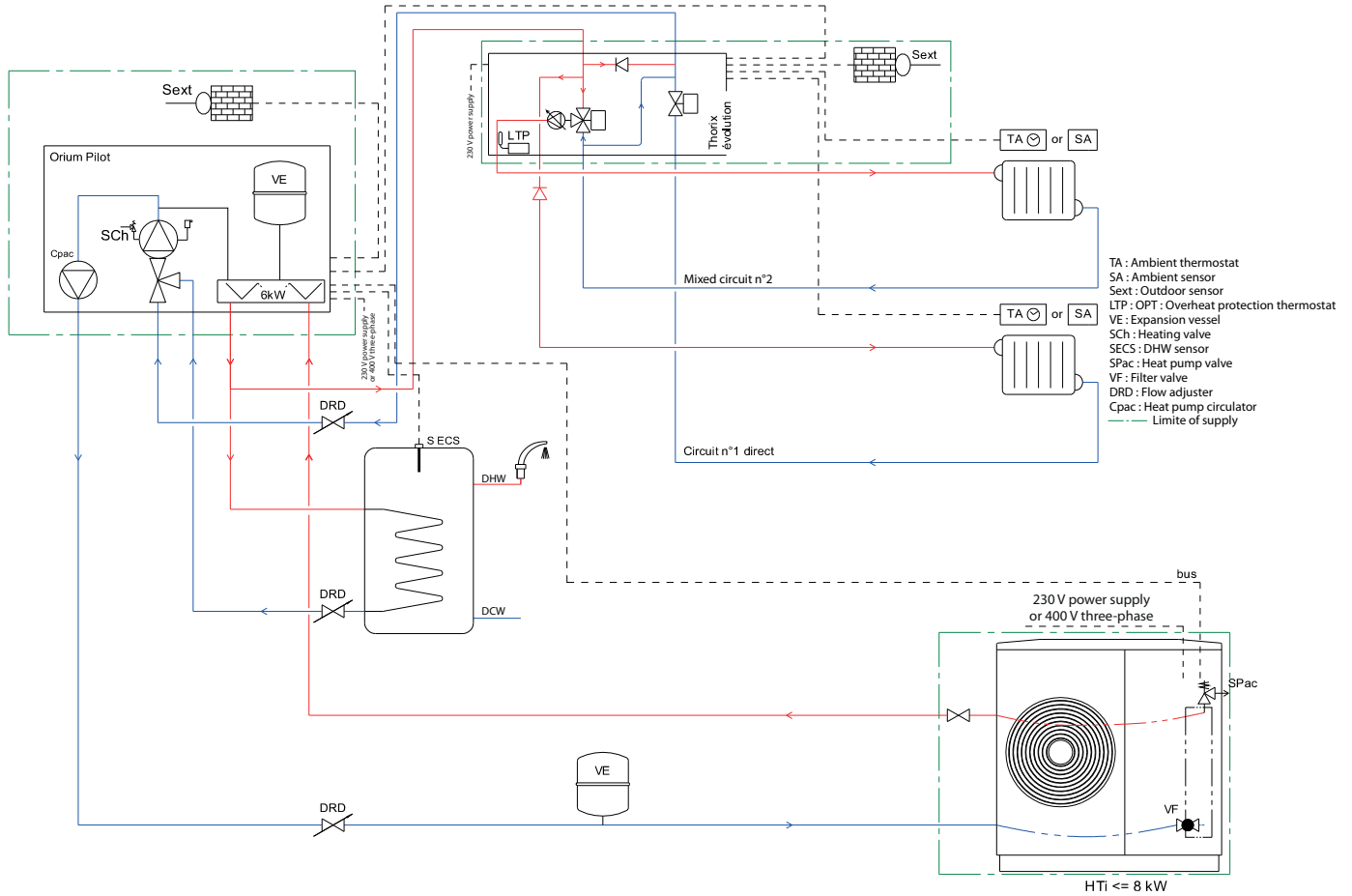
A3.1.7 - Connection of 1 radiator circuit and 1 underfloor heating circuit



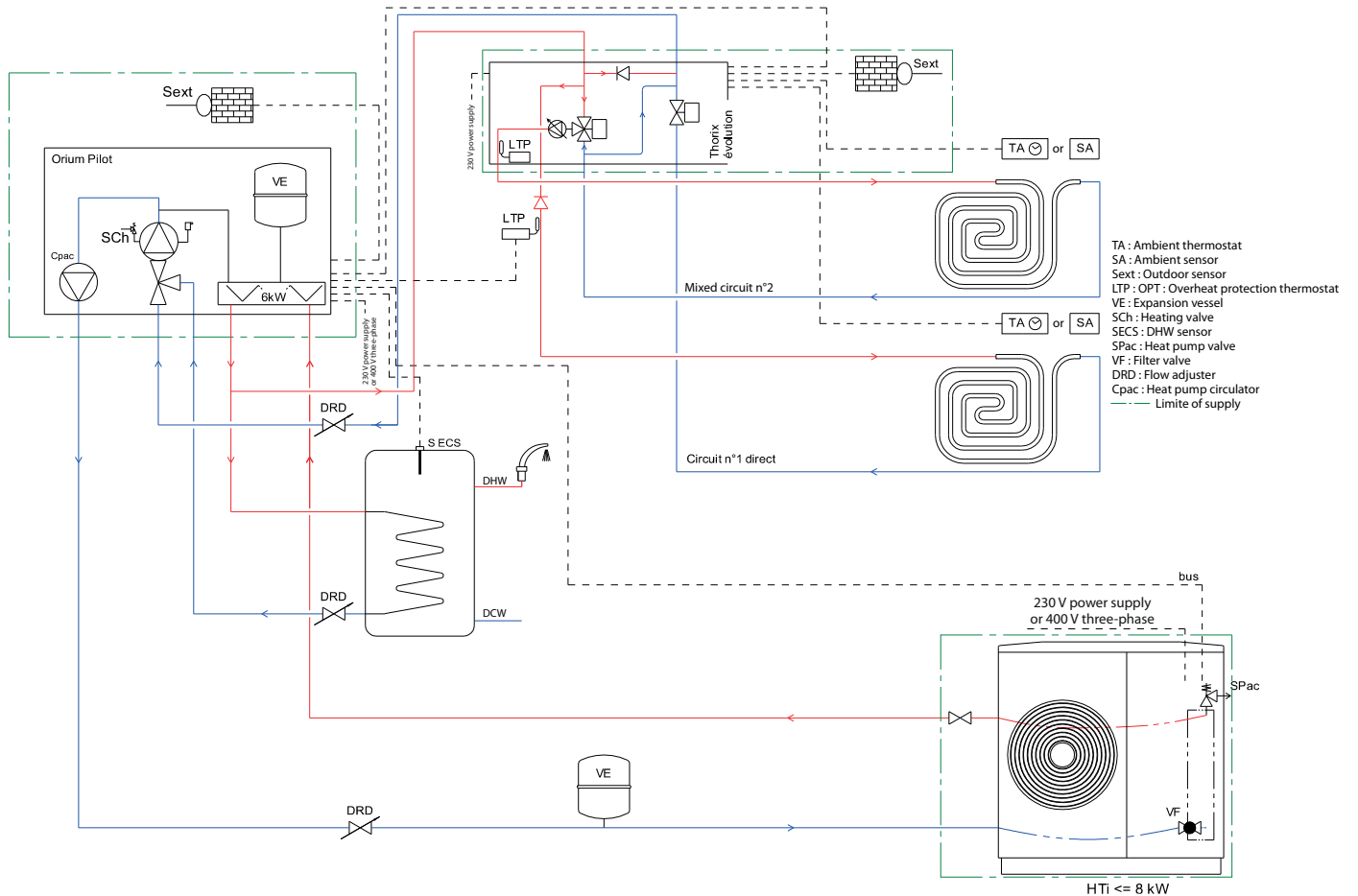
A3.1.8 - Connection of 1 radiator circuit, 1 underfloor heating circuit and 1 DHW circuit



A3.1.9 - Connection of 2 radiator circuits and 1 DHW circuit

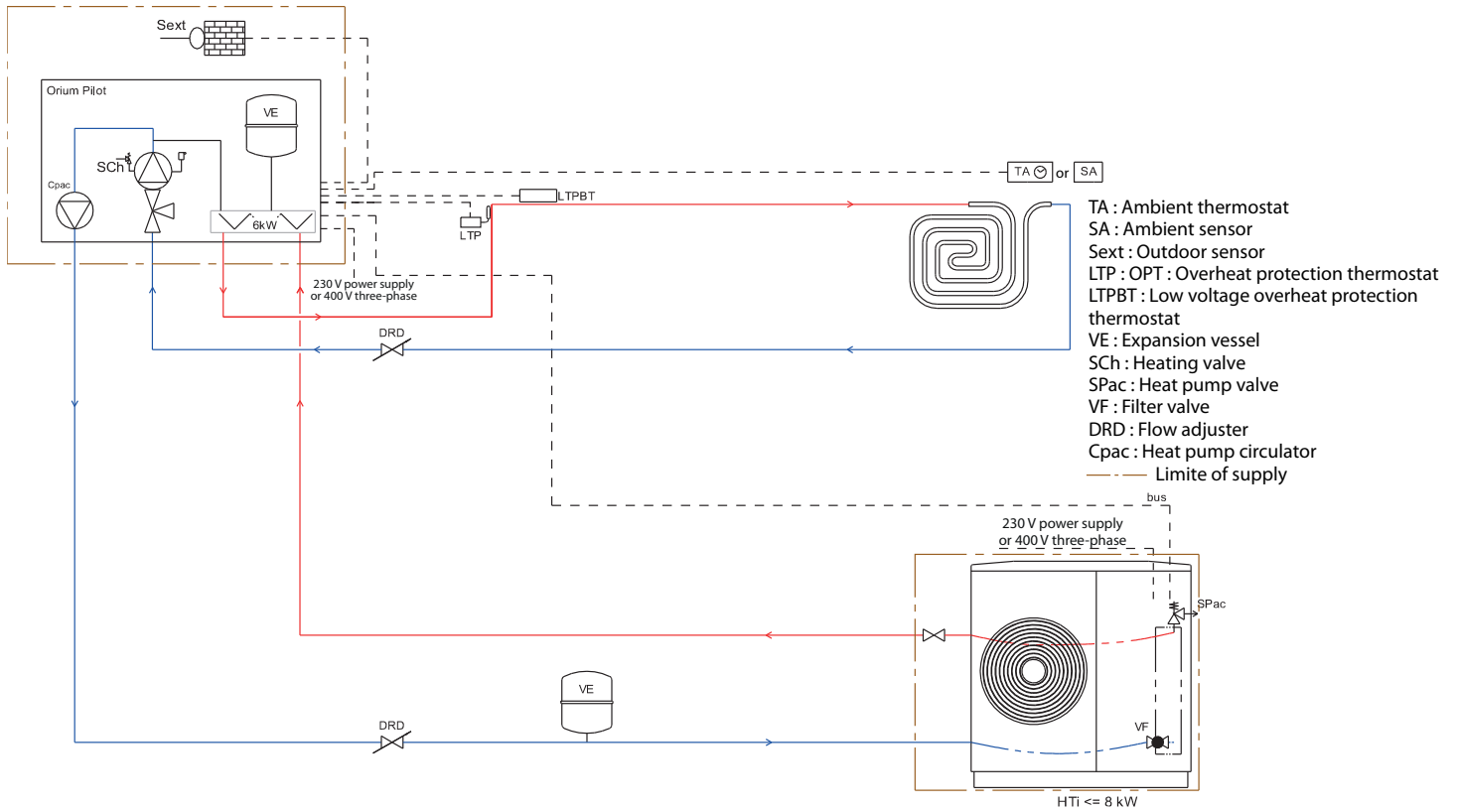


A3.1.10 - Connection of 2 underfloor heating circuits and 1 DHW circuit

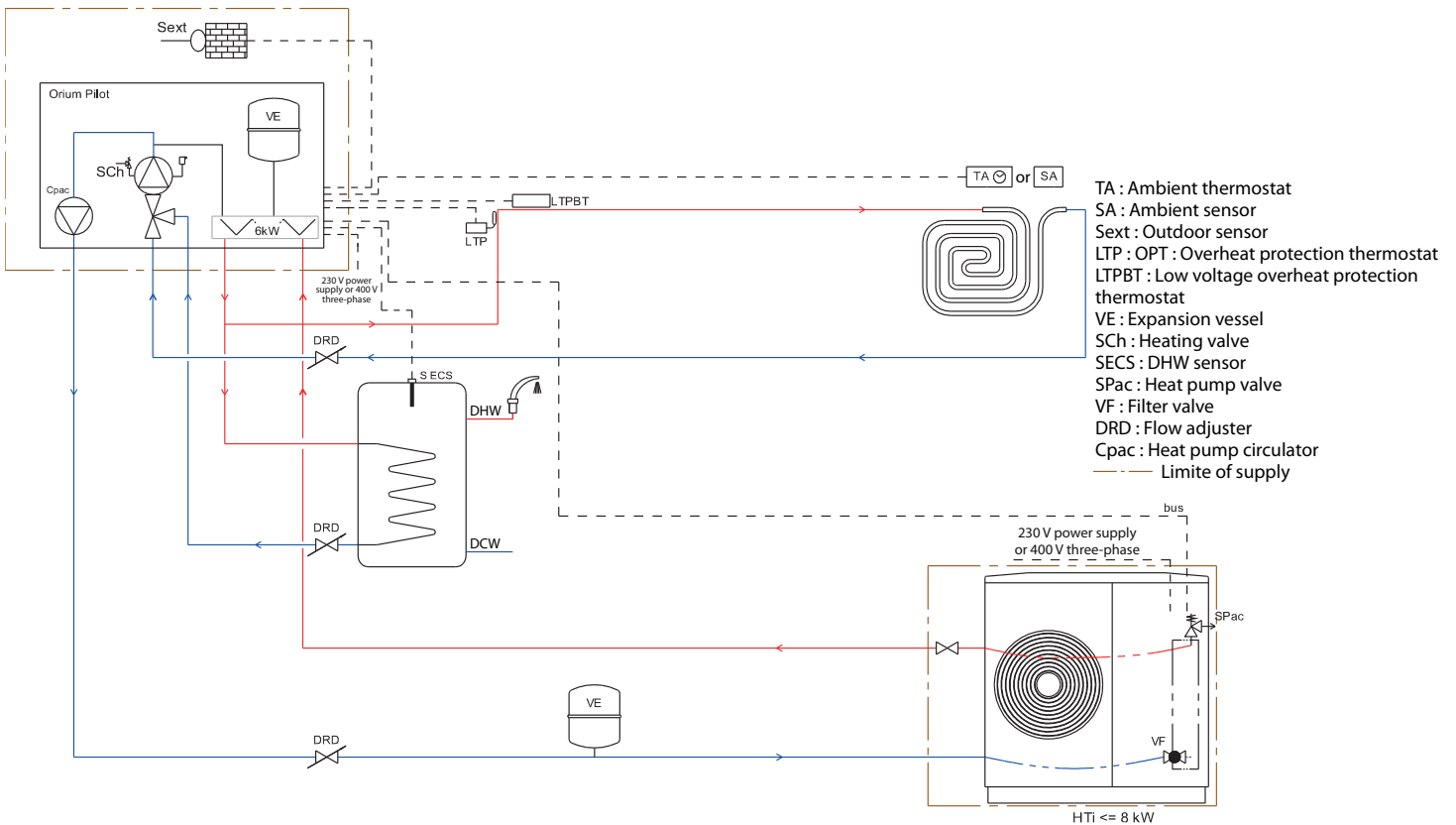


A3.2 - ORIUM 3S Pilot

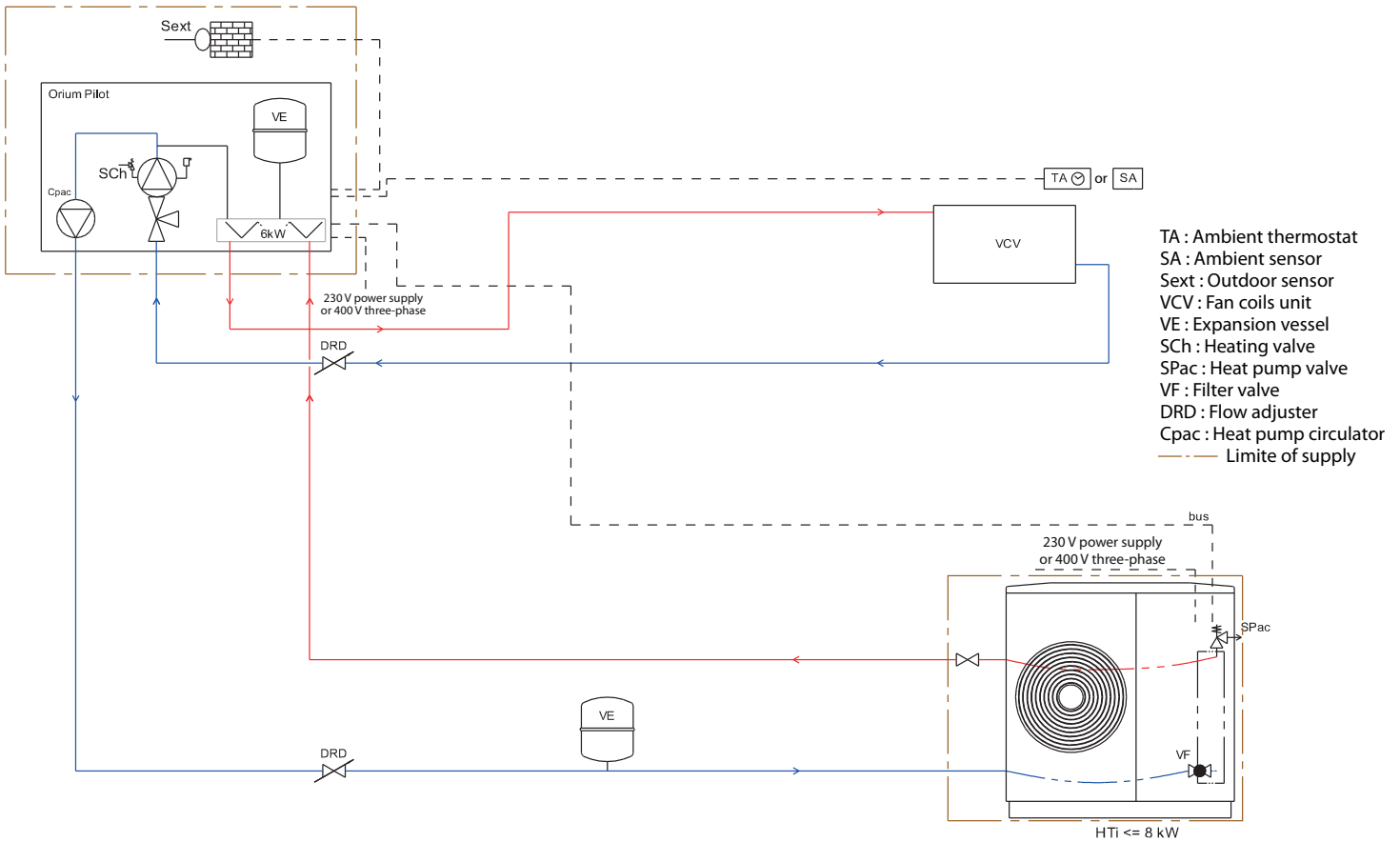
A3.2.1 - Connection of 1 underfloor heating circuit



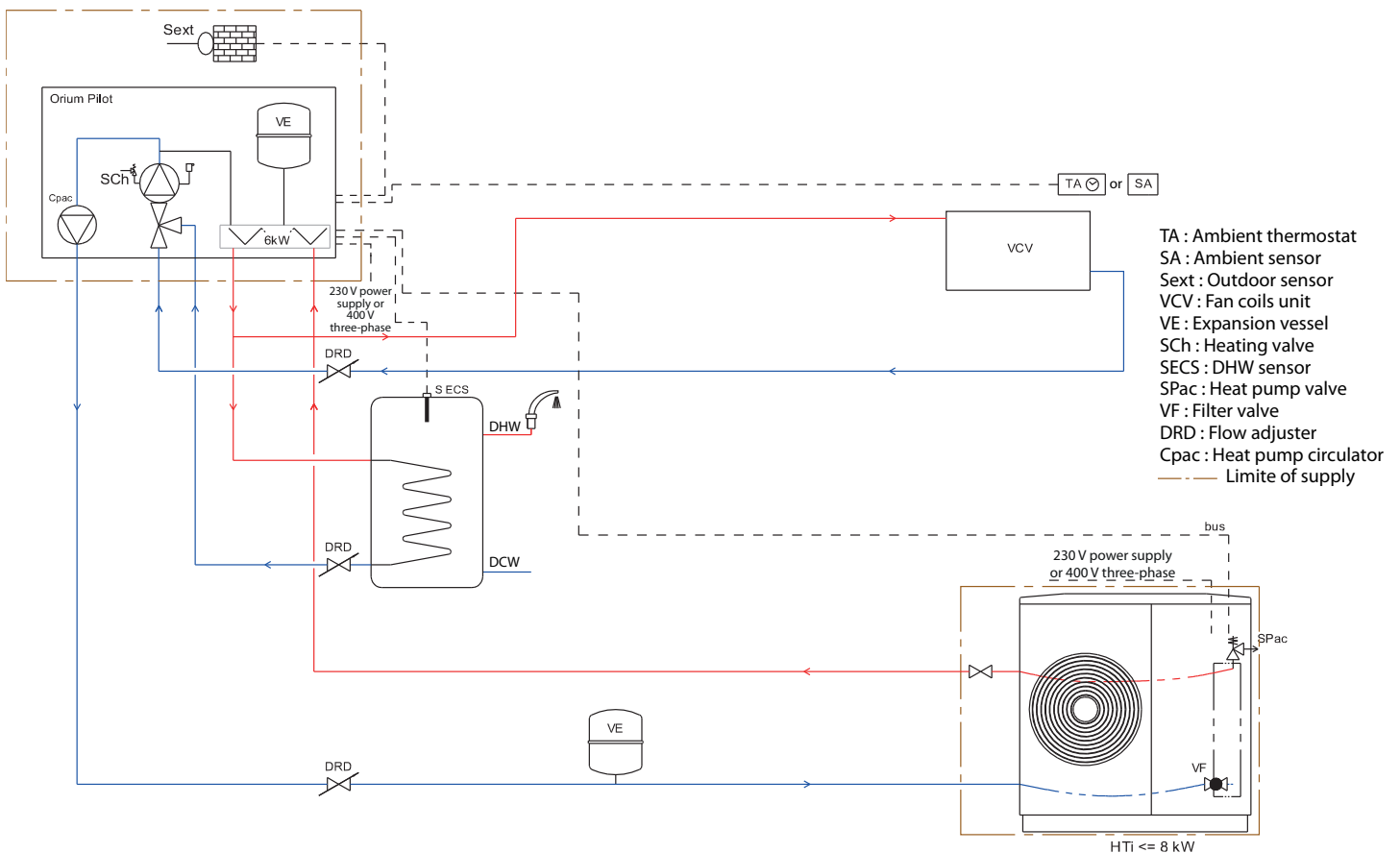
A3.2.2 - Connection of 1 underfloor heating circuit and 1 DHW circuit



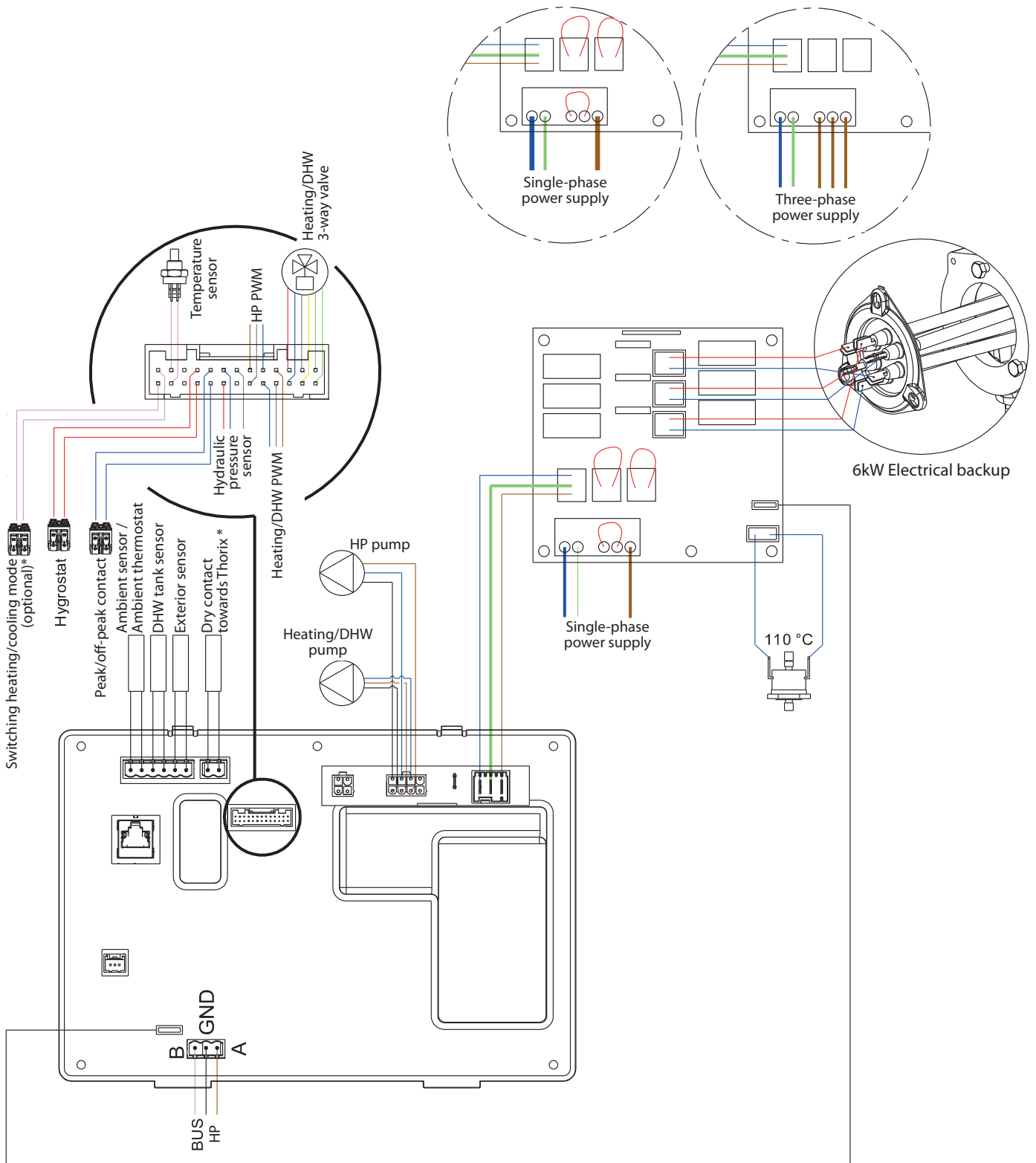
A3.2.3 - Connection of 1 fan coils unit



A3.2.4 - Connection of 1 fan coils unit and 1 DHW circuit



A4 - Wiring diagram

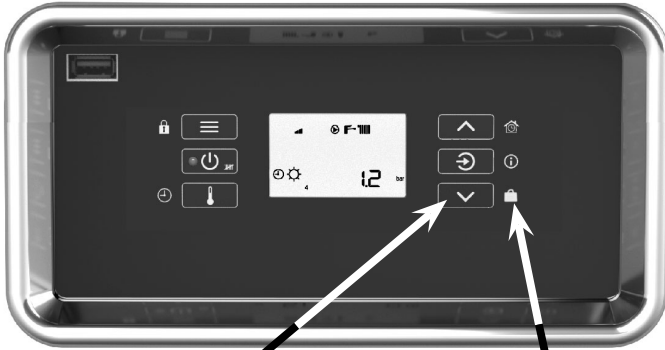


* Switching from heating mode to cooling mode (dry contact).
 Function possible if the room thermostat connected to the pilot allows this contact to be used.

A5 - Recap of functions

A5.1 - Control panel

A5.1.1 - Keypad

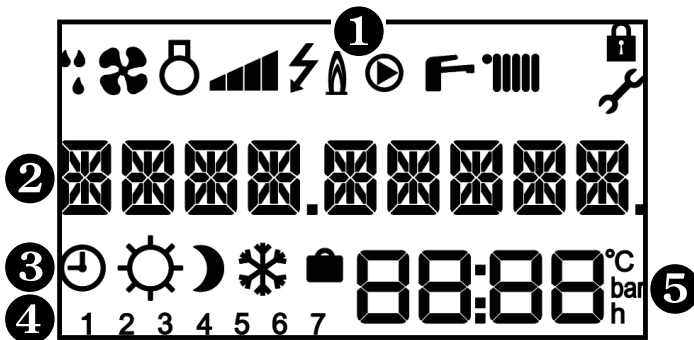


Button Primary function
ex.: decrease / scroll down

Secondary function
ex.: holiday mode

Primary function (short press)	Secondary function (long press)
- Menu access - Return / cancel	Locking / unlocking of the keypad
- On / off	Standby mode
- Setting the temperatures	Program scheduled comfort modes
- Increase the setting - Scroll up	Activate temporary comfort mode
- Confirm / remove error - Display pressure or T°	Information on temperatures and current operating state
- Decrease the setting - Scroll down	Activation of holiday mode

A5.1.2 - Display



1 Symbols of current operating state

	Defrosting in progress		Circulator pump working
	Ventilator working		Domestic hot water activated
	Compressor working		Heating activated
	Power level		Keypad locked
	Electrical back-up		Installer menu

2 9 character message

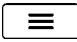
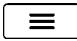

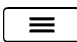

3 Current comfort mode


	Programming active		Comfort mode		Eco mode
	Frost protection mode		Holiday mode		

4 Day of the week: (1= Monday; 2= Tuesday...)

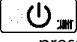
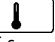
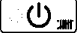

5 Display zone: temperatures, pressure, settings, time...

A5.2 - Menus

Menus (and sub-menus)	Access buttons
menu USER	
menu INSTALLER <i>(Display here under will be shown or hidden according to product configuration)</i> - HP CIRC : Setting the speed of HP circulating pump - FLOW.CIRC.1 : Setting the speed of heating circulating pump 1 - OUTS.TMAX : Outside temperature on the warmest day - OUTS.TMIN : Outside temperature on the coldest day - MODE : Choice of ORIUM Pilot operation HP : HP only operation HP+B BACKUP : Operation with the heat pump and authorised back-up BACK UP : Operation with back-up only - HEAT CURV 1 : Setting the heat curve 1 - HEAT TMAX 1 : Heat curve 1 set-point on the coldest day - HEAT TMIN 1 : Heat curve 1 set-point on the warmest day - SHARING : Activation of priority sharing - ANTI-BACT. : Activation of anti-bacteria function	 + 
menu EXPERT - SETTINGS : Access to all parameters - DISPLAY : State of operation of the pilot - DATA CALC : Temperatures and time delays in progress - COUNTERS : Operation counters - CONFIGURA. : Choice of circuits and their controls - AIR BLEED : Activation of a special air purge cycle - MANUAL : Manual operation of component for diagnostics - COMMISSIO : Access to the set-up - MODBUS : Remote control setting up - SOFTWARE : Manage software version	 + 

Press  to exit the menus and sub-menus.

A5.3 - Actions to be activated using a combination of buttons

Action	combination of buttons
Reset counters to zero Certain counters cannot be reset to zero. Only the counters which can be reset are affected by this action.	in the «counters» menu  +  press for 5 s
Reset to default settings (Return to factory settings)	in the «settings» menu  +  press for 5 s

A6 - Product technical information sheet

A6.1 - ORIUM Pilot with HTi⁷⁰ 6 kW mono heat pump

Fiche d'information technique produit (conformement au règlement UE n°811/2013, 813/2013)

Product data sheet (in accordance with EU regulation n°. 811/2013, 813/2013)

Marque / Brand name		intuis			
Modèle / Model		HTi ⁷⁰ 6 kW mono Orium			
Pompe à chaleur air-eau <i>Air-to-water heat pump</i>	oui yes	Pompe à chaleur basse température <i>Low-temperature heat pump</i>	non no		
Pompe à chaleur eau-eau <i>Water-to-water heat pump</i>	non no	Equipée d'un dispositif d'appoint <i>Equipped with a supplementary heater</i>	oui yes		
Pompe à chaleur eau glycolée-eau <i>Brine-to-water heat pump</i>	non no	Dispositif de chauffage mixte par pompe à chaleur <i>Heat pump combination heater</i>	non no		
Caractéristique Item	Symbole Symbol	Unité Unit	35°C	55°C	
Classe d'efficacité énergétique chauffage / Heating seasonal energy efficiency class			A+++	A++	
Puissance de chauffage nominale / Nominal heat output (*1)	Prated	kW	6	6	
Puissance de chauffage nominale / Nominal heat output (*2)	Prated	kW	8	8	
Puissance de chauffage nominale / Nominal heat output (*3)	Prated	kW	3	3	
Puissance calorifique déclarée à charge partielle pour une température intérieure de 20°C, une température extérieure Tj avec application basse et moyenne température (35°C / 55°C) et les conditions climatiques moyennes. <i>Declared capacity for part load at indoor temperature 20°C, outdoor temperature Tj, low and medium temperature application (35°C / 55°C) and average climate condition.</i>					
Tj = -7°C	Pdh	kW	5,6	5,7	
Tj = +2°C	Pdh	kW	3,2	3,2	
Tj = +7°C	Pdh	kW	1,9	1,8	
Tj = +12°C	Pdh	kW	1,8	1,7	
Tj = température bivalente / Tj = Bivalence temperature	Pdh	kW	5,7	5,7	
Tj = température limite fonctionnement / Tj = Operating limit temperature	Pdh	kW	5,7	5,7	
Tj = -15°C	Pdh	kW	5,1	4,6	
Température bivalente / Bivalence temperature	Tbiv	°C	-10		
Puissance calorifique sur intervalle cyclique / Output for cyclical interval heating mode	Pcyc	kW	-		
Coefficient de dégradation / Degradation coefficient	Cdh	-	0,9		
Efficacité énergétique saisonnière / Seasonal energy efficiency (*1)	ηs	%	186	136	
Efficacité énergétique saisonnière / Seasonal energy efficiency (*2)	ηs	%	143	106	
Efficacité énergétique saisonnière / Seasonal energy efficiency (*3)	ηs	%	257	176	
Coefficient de performance déclaré à charge partielle pour une température intérieure de 20°C, une température extérieure Tj avec application basse et moyenne température (35°C / 55°C) et les conditions climatiques moyennes. <i>Declared capacity for part load at indoor temperature 20°C, outdoor temperature Tj, low and medium temperature application (35°C / 55°C) and average climate condition.</i>					
Tj = -7°C	COPd	-	2,88	2,27	
Tj = +2°C	COPd	-	4,69	3,44	
Tj = +7°C	COPd	-	6,57	4,58	
Tj = +12°C	COPd	-	7,92	5,78	
Tj = température bivalente / Tj = Bivalence temperature	COPd	-	2,83	2,05	
Tj = température limite fonctionnement / Tj = Operating limit value temperature	COPd	-	2,83	2,05	
Tj = -15°C	COPd	-	2,35	1,84	
Température limite de fonctionnement / Operating limit temperature	TOL	°C	-10		
Efficacité sur intervalle cyclique / Cycling interval efficiency	COPcyc	-	-		
Température maximale eau de chauffage / Max. temperature for the heating water	WTOL	°C	70		
Puissance électrique consommée dans les autres modes que le mode actif / Power consumption in modes other than active mode					
Mode arrêt / OFF mode	P _{OFF}	kW	0,005		
Mode arrêt thermostat / Thermostat-off mode	P _{TO}	kW	0,008		
Mode veille / Standby mode	P _{SB}	kW	0,005		
Mode résistance de carter / Crankcase heater mode	P _{CK}	kW	0,008		
Dispositif de chauffage d'appoint / Supplementary heater					
Puissance thermique nominale d'appoint / Nominal heat output of supplementary heater	P _{sup}	kW	0,0	0,0	
Type d'énergie chauffage d'appoint / Type of energy input of supplementary heater	-	-	électrique / electric		
Autres caractéristiques / Other items					
Régulation de la puissance thermique / Heating capacity control	-	-	variable		
Consommation annuelle d'énergie / Annual energy consumption (*1)	Q _{HE}	kWh	2494	3380	
Consommation annuelle d'énergie / Annual energy consumption (*2)	Q _{HE}	kWh	5355	7545	
Consommation annuelle d'énergie / Annual energy consumption (*3)	Q _{HE}	kWh	660	927	
Puissance sonore intérieure - extérieure / Sound power level - indoor - outdoor	L _{WA}	dB	- / 52		
Débit d'air nominal à l'extérieur / Rated Air flow outdoor	-	m ³ /h	3500		
Coordonnées de contact / Contact details		intuis, rue de la République 80210 Feuquières-en-Vimeux			
Les précautions particulières qui doivent être prises lors du montage, l'installation et l'entretien, sont décrites dans la notice d'installation et d'utilisation. All specific precautions for assembly, installation and maintenance are described in the operating and installation instructions. Read and follow the operating and installation instructions.					
(*1) Conditions climatiques moyennes / Average climatic conditions					
(*2) Conditions climatiques plus froides / Colder climatic conditions					
(*3) Conditions climatiques plus chaudes / Warmer climatic conditions					

A6.2 - ORIUM Pilot with HTi⁷⁰ 6 kW mono /2 heat pump

Fiche d'information technique produit (conformement au règlement UE n°811/2013, 813/2013)

Product data sheet (in accordance with EU regulation n°. 811/2013, 813/2013)

Marque / Brand name		intuis		
Modèle / Model		HTi ⁷⁰ 6 kW mono ORIUM 3S		
Pompe à chaleur air-eau <i>Air-to-water heat pump</i>	oui yes	Pompe à chaleur basse température <i>Low-temperature heat pump</i>	non no	
Pompe à chaleur eau-eau <i>Water-to-water heat pump</i>	non no	Equipée d'un dispositif d'appoint <i>Equipped with a supplementary heater</i>	oui yes	
Pompe à chaleur eau glycolée-eau <i>Brine-to-water heat pump</i>	non no	Dispositif de chauffage mixte par pompe à chaleur <i>Heat pump combination heater</i>	non no	
Caractéristique Item	Symbole Symbol	Unité Unit	35°C	55°C
Classe d'efficacité énergétique chauffage / Heating seasonal energy efficiency class			A+++	A++
Puissance de chauffage nominale / Nominal heat output (*1)	Prated	kW	6	6
Puissance de chauffage nominale / Nominal heat output (*2)	Prated	kW	6	6
Puissance de chauffage nominale / Nominal heat output (*3)	Prated	kW	3	3
Puissance calorifique déclarée à charge partielle pour une température intérieure de 20°C, une température extérieure Tj avec application basse et moyenne température (35°C / 55°C) et les conditions climatiques moyennes. <i>Declared capacity for part load at indoor temperature 20°C, outdoor temperature Tj, low and medium temperature application (35°C / 55°C) and average climate condition.</i>				
Tj = -7°C	Pdh	kW	4,9	4,9
Tj = +2°C	Pdh	kW	3,0	3,1
Tj = +7°C	Pdh	kW	2,0	2,1
Tj = +12°C	Pdh	kW	1,8	1,7
Tj = température bivalente / Tj = Bivalence temperature	Pdh	kW	4,9	4,9
Tj = température limite fonctionnement / Tj = Operating limit temperature	Pdh	kW	5,6	5,6
Tj = -15°C	Pdh	kW	5,1	4,6
Température bivalente / Bivalence temperature	Tbiv	°C	-7	
Puissance calorifique sur intervalle cyclique / Output for cyclical interval heating mode	Pcyc	kW	-	
Coefficient de dégradation / Degradation coefficient	Cdh	-	0,9	
Efficacité énergétique saisonnière / Seasonal energy efficiency (*1)	η_s	%	182	137
Efficacité énergétique saisonnière / Seasonal energy efficiency (*2)	η_s	%	138	104
Efficacité énergétique saisonnière / Seasonal energy efficiency (*3)	η_s	%	241	187
Coefficient de performance déclaré à charge partielle pour une température intérieure de 20°C, une température extérieure Tj avec application basse et moyenne température (35°C / 55°C) et les conditions climatiques moyennes <i>Declared capacity for part load at indoor temperature 20°C, outdoor temperature Tj, low and medium temperature application (35°C / 55°C) and average climate condition.</i>				
Tj = -7°C	COPd	-	2,90	2,21
Tj = +2°C	COPd	-	4,26	3,23
Tj = +7°C	COPd	-	6,67	5,05
Tj = +12°C	COPd	-	8,32	6,22
Tj = température bivalente / Tj = Bivalence temperature	COPd	-	2,90	2,21
Tj = température limite fonctionnement / Tj = Operating limit value temperature	COPd	-	2,76	2,06
Tj = -15°C	COPd	-	2,35	1,84
Température limite de fonctionnement / Operating limit temperature	TOL	°C	-10	
Efficacité sur intervalle cyclique / Cycling interval efficiency	COPcyc	-	-	
Température maximale eau de chauffage / Max. temperature for the heating water	WTOL	°C	70	
Puissance électrique consommée dans les autres modes que le mode actif / Power consumption in modes other than active mode				
Mode arrêt / OFF mode	P _{OFF}	kW	0,005	
Mode arrêt thermostat / Thermostat-off mode	P _{TO}	kW	0,008	
Mode veille / Standby mode	P _{SB}	kW	0,005	
Mode résistance de carter / Crankcase heater mode	P _{CK}	kW	0,008	
Dispositif de chauffage d'appoint / Supplementary heater				
Puissance thermique nominale d'appoint / Nominal heat output of supplementary heater	Psup	kW	0,0	0,0
Type d'énergie chauffage d'appoint / Type of energy input of supplementary heater	-	-	électrique / electric	
Autres caractéristiques / Other items				
Régulation de la puissance thermique / Heating capacity control	-	-	variable	
Consommation annuelle d'énergie / Annual energy consumption (*1)	Q _{HE}	kWh	2503	3300
Consommation annuelle d'énergie / Annual energy consumption (*2)	Q _{HE}	kWh	4367	5187
Consommation annuelle d'énergie / Annual energy consumption (*3)	Q _{HE}	kWh	668	877
Puissance sonore intérieure - extérieure / Sound power level - indoor - outdoor	L _{WA}	dB	- / 53	- / 53
Débit d'air nominal à l'extérieur / Rated Air flow outdoor	-	m ³ /h	3500	
Coordonnées de contact / Contact details		intuis, rue de la République 80210 Feuquières-en-Vimeu		
Les précautions particulières qui doivent être prises lors du montage, l'installation et l'entretien, sont décrites dans la notice d'installation et d'utilisation. <i>All specific precautions for assembly, installation and maintenance are described in the operating and installation instructions. Read and follow the operating and installation instructions.</i>				

(*1) Conditions climatiques moyennes / Average climatic conditions

(*2) Conditions climatiques plus froides / Colder climatic conditions

(*3) Conditions climatiques plus chaudes / Warmer climatic conditions

A6.3 - ORIUM Pilot with HTI⁷⁰ 8 kW mono heat pump

Fiche d'information technique produit (conformément au règlement UE n°811/2013, 813/2013)

Product data sheet (in accordance with EU regulation n°. 811/2013, 813/2013)

Marque / Brand name		intuis		
Modèle / Model		HTI ⁷⁰ 8 kW mono Orium		
Pompe à chaleur air-eau <i>Air-to-water heat pump</i>	oui yes	Pompe à chaleur basse température <i>Low-temperature heat pump</i>	non no	
Pompe à chaleur eau-eau <i>Water-to-water heat pump</i>	non no	Equipée d'un dispositif d'appoint <i>Equipped with a supplementary heater</i>	oui yes	
Pompe à chaleur eau glycolée-eau <i>Brine-to-water heat pump</i>	non no	Dispositif de chauffage mixte par pompe à chaleur <i>Heat pump combination heater</i>	non no	
Caractéristique <i>Item</i>	Symbole <i>Symbol</i>	Unité <i>Unit</i>	35°C	55°C
Classe d'efficacité énergétique chauffage / Heating seasonal energy efficiency class			A+++	A+++
Puissance de chauffage nominale / Nominal heat output (*1)	Prated	kW	8	8
Puissance de chauffage nominale / Nominal heat output (*2)	Prated	kW	9	9
Puissance de chauffage nominale / Nominal heat output (*3)	Prated	kW	4	4
Puissance calorifique déclarée à charge partielle pour une température intérieure de 20°C, une température extérieure Tj avec application basse et moyenne température (35°C / 55°C) et les conditions climatiques moyennes. <i>Declared capacity for part load at indoor temperature 20°C, outdoor temperature Tj, low and medium temperature application (35°C / 55°C) and average climate condition.</i>				
Tj = -7°C	Pdh	kW	6,5	6,3
Tj = +2°C	Pdh	kW	4,1	4,1
Tj = +7°C	Pdh	kW	3,0	2,9
Tj = +12°C	Pdh	kW	1,9	1,8
Tj = température bivalente / Tj = Bivalence temperature	Pdh	kW	6,1	6,1
Tj = température limite fonctionnement / Tj = Operating limit temperature	Pdh	kW	5,9	5,7
Tj = -15°C	Pdh	kW	5,6	4,9
Température bivalente / Bivalence temperature	Tbiv	°C	-5	
Puissance calorifique sur intervalle cyclique / Output for cyclical interval heating mode	Ppsych	kW	-	
Coefficient de dégradation / Degradation coefficient	Cdh	-	0,9	
Efficacité énergétique saisonnière / Seasonal energy efficiency (*1)	ηs	%	190	150
Efficacité énergétique saisonnière / Seasonal energy efficiency (*2)	ηs	%	141	115
Efficacité énergétique saisonnière / Seasonal energy efficiency (*3)	ηs	%	279	231
Coefficient de performance déclaré à charge partielle pour une température intérieure de 20°C, une température extérieure Tj avec application basse et moyenne température (35°C / 55°C) et les conditions climatiques moyennes. <i>Declared capacity for part load at indoor temperature 20°C, outdoor temperature Tj, low and medium temperature application (35°C / 55°C) and average climate condition.</i>				
Tj = -7°C	COPd	-	3,11	2,44
Tj = +2°C	COPd	-	4,56	3,82
Tj = +7°C	COPd	-	7,52	5,42
Tj = +12°C	COPd	-	8,89	6,46
Tj = température bivalente / Tj = Bivalence temperature	COPd	-	3,37	2,52
Tj = température limite fonctionnement / Tj = Operating limit value temperature	COPd	-	2,83	2,18
Tj = -15°C	COPd	-	2,38	1,98
Température limite de fonctionnement / Operating limit temperature	TOL	°C	-10	
Efficacité sur intervalle cyclique / Cycling interval efficiency	COPcyc	-	-	
Température maximale eau de chauffage / Max. temperature for the heating water	WTOL	°C	70	
Puissance électrique consommée dans les autres modes que le mode actif / Power consumption in modes other than active mode				
Mode arrêt / OFF mode	P _{OFF}	kW	0,005	
Mode arrêt thermostat / Thermostat-off mode	P _{TO}	kW	0,008	
Mode veille / Standby mode	P _{SB}	kW	0,005	
Mode résistance de carter / Crankcase heater mode	P _{CK}	kW	0,008	
Dispositif de chauffage d'appoint / Supplementary heater				
Puissance thermique nominale d'appoint / Nominal heat output of supplementary heater	P _{sup}	kW	1,6	1,8
Type d'énergie chauffage d'appoint / Type of energy input of supplementary heater	-	-	électrique / electric	
Autres caractéristiques / Other items				
Régulation de la puissance thermique / Heating capacity control	-	-	variable	
Consommation annuelle d'énergie / Annual energy consumption (*1)	Q _{HE}	kWh	3188	4083
Consommation annuelle d'énergie / Annual energy consumption (*2)	Q _{HE}	kWh	6028	7231
Consommation annuelle d'énergie / Annual energy consumption (*3)	Q _{HE}	kWh	820	991
Puissance sonore intérieure - extérieure / Sound power level - indoor - outdoor	L _{WA}	dB	- / 54	- / 53
Débit d'air nominal à l'extérieur / Rated Air flow outdoor	-	m ³ /h	3500	
Coordonnées de contact / Contact details		intuis, rue de la République 80210 Feuquières-en-Vimeu		
Les précautions particulières qui doivent être prises lors du montage, l'installation et l'entretien, sont décrites dans la notice d'installation et d'utilisation. All specific precautions for assembly, installation and maintenance are described in the operating and installation instructions. Read and follow the operating and installation instructions.				

(*1) Conditions climatiques moyennes / Average climatic conditions

(*2) Conditions climatiques plus froides / Colder climatic conditions

(*3) Conditions climatiques plus chaudes / Warmer climatic conditions

A6.4 - ORIUM Pilot with HTi⁷⁰ 8 kW mono /2 heat pump

Fiche d'information technique produit (conformément au règlement UE n°811/2013, 813/2013)

Product data sheet (in accordance with EU regulation n°. 811/2013, 813/2013)

Marque / Brand name		intuis			
Modèle / Model		HTi ⁷⁰ 8 kW mono ORIUM 3S			
Pompe à chaleur air-eau <i>Air-to-water heat pump</i>	oui yes	Pompe à chaleur basse température <i>Low-temperature heat pump</i>		non no	
Pompe à chaleur eau-eau <i>Water-to-water heat pump</i>	non no	Equipée d'un dispositif d'appoint <i>Equipped with a supplementary heater</i>		oui yes	
Pompe à chaleur eau glycolée-eau <i>Brine-to-water heat pump</i>	non no	Dispositif de chauffage mixte par pompe à chaleur <i>Heat pump combination heater</i>		non no	
Caractéristique Item	Symbole Symbol	Unité Unit	35°C	55°C	
Classe d'efficacité énergétique chauffage / <i>Heating seasonal energy efficiency class</i>			A+++	A+++	
Puissance de chauffage nominale / <i>Nominal heat output (*1)</i>		Prated	kW	8	8
Puissance de chauffage nominale / <i>Nominal heat output (*2)</i>		Prated	kW	9	9
Puissance de chauffage nominale / <i>Nominal heat output (*3)</i>		Prated	kW	4	4
Puissance calorifique déclarée à charge partielle pour une température intérieure de 20°C, une température extérieure Tj avec application basse et moyenne température (35°C / 55°C) et les conditions climatiques moyennes. <i>Declared capacity for part load at indoor temperature 20°C, outdoor temperature Tj, low and medium temperature application (35°C / 55°C) and average climate condition.</i>					
Tj = -7°C	Pdh	kW	6,4	6,4	
Tj = +2°C	Pdh	kW	4,1	4,2	
Tj = +7°C	Pdh	kW	2,7	2,7	
Tj = +12°C	Pdh	kW	1,9	1,9	
Tj = température bivalente / <i>Tj = Bivalence temperature</i>	Pdh	kW	6,4	6,4	
Tj = température limite fonctionnement / <i>Tj = Operating limit temperature</i>	Pdh	kW	6,4	5,9	
Tj = -15°C	Pdh	kW	5,6	4,9	
Température bivalente / <i>Bivalence temperature</i>	Tbiv	°C	-7		
Puissance calorifique sur intervalle cyclique / <i>Output for cyclical interval heating mode</i>	Pcych	kW	-		
Coefficient de dégradation / <i>Degradation coefficient</i>	Cdh	-	0,9		
Efficacité énergétique saisonnière / <i>Seasonal energy efficiency (*1)</i>		ηs	%	191	151
Efficacité énergétique saisonnière / <i>Seasonal energy efficiency (*2)</i>		ηs	%	139	110
Efficacité énergétique saisonnière / <i>Seasonal energy efficiency (*3)</i>		ηs	%	269	218
Coefficient de performance déclaré à charge partielle pour une température intérieure de 20°C, une température extérieure Tj avec application basse et moyenne température (35°C / 55°C) et les conditions climatiques moyennes. <i>Declared capacity for part load at indoor temperature 20°C, outdoor temperature Tj, low and medium temperature application (35°C / 55°C) and average climate condition.</i>					
Tj = -7°C	COPd	-	3,01	2,30	
Tj = +2°C	COPd	-	4,51	3,62	
Tj = +7°C	COPd	-	6,96	5,48	
Tj = +12°C	COPd	-	9,07	7,31	
Tj = température bivalente / <i>Tj = Bivalence temperature</i>	COPd	-	3,01	2,30	
Tj = température limite fonctionnement / <i>Tj = Operating limit value temperature</i>	COPd	-	2,84	2,12	
Tj = -15°C	COPd	-	2,38	1,98	
Température limite de fonctionnement / <i>Operating limit temperature</i>	TOL	°C	-10		
Efficacité sur intervalle cyclique / <i>Cycling interval efficiency</i>	COPcyc	-	-		
Température maximale eau de chauffage / <i>Max. temperature for the heating water</i>	WTOL	°C	70		
Puissance électrique consommée dans les autres modes que le mode actif / <i>Power consumption in modes other than active mode</i>					
Mode arrêt / <i>OFF mode</i>	P _{OFF}	kW	0,005		
Mode arrêt thermostat / <i>Thermostat-off mode</i>	P _{TO}	kW	0,008		
Mode veille / <i>Standby mode</i>	P _{SB}	kW	0,005		
Mode résistance de carter / <i>Crankcase heater mode</i>	P _{CK}	kW	0,008		
Dispositif de chauffage d'appoint / <i>Supplementary heater</i>					
Puissance thermique nominale d'appoint / <i>Nominal heat output of supplementary heater</i>		P _{sup}	kW	1,1	1,6
Type d'énergie chauffage d'appoint / <i>Type of energy input of supplementary heater</i>		-	-	électrique / electric	
Autres caractéristiques / <i>Other items</i>					
Régulation de la puissance thermique / <i>Heating capacity control</i>		-	-	variable	
Consommation annuelle d'énergie / <i>Annual energy consumption (*1)</i>		Q _{HE}	kWh	3194	4034
Consommation annuelle d'énergie / <i>Annual energy consumption (*2)</i>		Q _{HE}	kWh	6478	7552
Consommation annuelle d'énergie / <i>Annual energy consumption (*3)</i>		Q _{HE}	kWh	811	1015
Puissance sonore intérieure - extérieure / <i>Sound power level - indoor - outdoor</i>		L _{WA}	dB	- / 54	- / 54
Débit d'air nominal à l'extérieur / <i>Rated Air flow outdoor</i>		-	m ³ /h	3500	
Coordonnées de contact / <i>Contact details</i>		intuis, rue de la République 80210 Feuquières-en-Vimeu			
Les précautions particulières qui doivent être prises lors du montage, l'installation et l'entretien, sont décrites dans la notice d'installation et d'utilisation. <i>All specific precautions for assembly, installation and maintenance are described in the operating and installation instructions. Read and follow the operating and installation instructions.</i>					

(*1) Conditions climatiques moyennes / *Average climatic conditions*

(*2) Conditions climatiques plus froides / *Colder climatic conditions*

(*3) Conditions climatiques plus chaudes / *Warmer climatic conditions*

A6.5 - ORIUM Pilot with HTi⁷⁰ 8 kW tri heat pump

Fiche d'information technique produit (conformément au règlement UE n°811/2013, 813/2013)

Product data sheet (in accordance with EU regulation n°. 811/2013, 813/2013)

Marque / Brand name		intuis			
Modèle / Model		HTi ⁷⁰ 8 kW tri Orium			
Pompe à chaleur air-eau <i>Air-to-water heat pump</i>	oui yes	Pompe à chaleur basse température <i>Low-temperature heat pump</i>	non no		
Pompe à chaleur eau-eau <i>Water-to-water heat pump</i>	non no	Equipée d'un dispositif d'appoint <i>Equipped with a supplementary heater</i>	oui yes		
Pompe à chaleur eau glycolée-eau <i>Brine-to-water heat pump</i>	non no	Dispositif de chauffage mixte par pompe à chaleur <i>Heat pump combination heater</i>	non no		
Caractéristique <i>Item</i>		Symbole <i>Symbol</i>	Unité <i>Unit</i>	35°C	55°C
Classe d'efficacité énergétique chauffage / <i>Heating seasonal energy efficiency class</i>				A+++	A++
Puissance de chauffage nominale / <i>Nominal heat output (*1)</i>		Prated	kW	8	8
Puissance de chauffage nominale / <i>Nominal heat output (*2)</i>		Prated	kW	9	9
Puissance de chauffage nominale / <i>Nominal heat output (*3)</i>		Prated	kW	4	4
Puissance calorifique déclarée à charge partielle pour une température intérieure de 20°C, une température extérieure Tj avec application basse et moyenne température (35°C / 55°C) et les conditions climatiques moyennes. <i>Declared capacity for part load at indoor temperature 20°C, outdoor temperature Tj, low and medium temperature application (35°C / 55°C) and average climate condition.</i>					
Tj = -7°C		Pdh	kW	6,5	6,3
Tj = +2°C		Pdh	kW	4,1	4,1
Tj = +7°C		Pdh	kW	3,0	2,9
Tj = +12°C		Pdh	kW	1,9	1,8
Tj = température bivalente / <i>Tj = Bivalence temperature</i>		Pdh	kW	6,1	6,1
Tj = température limite fonctionnement / <i>Tj = Operating limit temperature</i>		Pdh	kW	5,9	5,7
Tj = -15°C		Pdh	kW	5,6	4,9
Température bivalente / <i>Bivalence temperature</i>		Tbiv	°C	-5	
Puissance calorifique sur intervalle cyclique / <i>Output for cyclical interval heating mode</i>		Ppsych	kW	-	
Coefficient de dégradation / <i>Degradation coefficient</i>		Cdh	-	0,9	
Efficacité énergétique saisonnière / <i>Seasonal energy efficiency (*1)</i>		η_s	%	190	149
Efficacité énergétique saisonnière / <i>Seasonal energy efficiency (*2)</i>		η_s	%	141	114
Efficacité énergétique saisonnière / <i>Seasonal energy efficiency (*3)</i>		η_s	%	276	223
Efficacité de performance déclaré à charge partielle pour une température intérieure de 20°C, une température extérieure Tj avec application basse et moyenne température (35°C / 55°C) et les conditions climatiques moyennes <i>Declared capacity for part load at indoor temperature 20°C, outdoor temperature Tj, low and medium temperature application (35°C / 55°C) and average climate condition.</i>					
Tj = -7°C		COPd	-	3,11	2,44
Tj = +2°C		COPd	-	4,56	3,82
Tj = +7°C		COPd	-	7,52	5,42
Tj = +12°C		COPd	-	8,89	6,46
Tj = température bivalente / <i>Tj = Bivalence temperature</i>		COPd	-	3,37	2,52
Tj = température limite fonctionnement / <i>Tj = Operating limit value temperature</i>		COPd	-	2,83	2,18
Tj = -15°C		COPd	-	2,38	1,98
Température limite de fonctionnement / <i>Operating limit temperature</i>		TOL	°C	-10	
Efficacité sur intervalle cyclique / <i>Cycling interval efficiency</i>		COPcyc	-	-	
Température maximale eau de chauffage / <i>Max. temperature for the heating water</i>		WTOL	°C	70	
Puissance électrique consommée dans les autres modes que le mode actif / <i>Power consumption in modes other than active mode</i>					
Mode arrêt / <i>OFF mode</i>		P _{OFF}	kW	0,005	
Mode arrêt thermostat / <i>Thermostat-off mode</i>		P _{TO}	kW	0,014	
Mode veille / <i>Standby mode</i>		P _{SB}	kW	0,005	
Mode résistance de carter / <i>Crankcase heater mode</i>		P _{CK}	kW	0,014	
Dispositif de chauffage d'appoint / <i>Supplementary heater</i>					
Puissance thermique nominale d'appoint / <i>Nominal heat output of supplementary heater</i>		P _{sup}	kW	1,6	1,8
Type d'énergie chauffage d'appoint / <i>Type of energy input of supplementary heater</i>		-	-	électrique / electric	
Autres caractéristiques / <i>Other items</i>					
Régulation de la puissance thermique / <i>Heating capacity control</i>		-	-	variable	
Consommation annuelle d'énergie / <i>Annual energy consumption (*1)</i>		Q _{HE}	kWh	3212	4107
Consommation annuelle d'énergie / <i>Annual energy consumption (*2)</i>		Q _{HE}	kWh	6030	7284
Consommation annuelle d'énergie / <i>Annual energy consumption (*3)</i>		Q _{HE}	kWh	828	1029
Puissance sonore intérieure - extérieure / <i>Sound power level - indoor - outdoor</i>		L _{WA}	dB	- / 54	- / 57,6
Débit d'air nominal à l'extérieur / <i>Rated Air flow outdoor</i>		-	m ³ /h	3500	
Coordonnées de contact / <i>Contact details</i>		intuis, rue de la République 80210 Feuquières-en-Vimeu			
Les précautions particulières qui doivent être prises lors du montage, l'installation et l'entretien, sont décrites dans la notice d'installation et d'utilisation. <i>All specific precautions for assembly, installation and maintenance are described in the operating and installation instructions. Read and follow the operating and installation instructions.</i>					

(*1) Conditions climatiques moyennes / *Average climatic conditions*

(*2) Conditions climatiques plus froides / *Colder climatic conditions*

(*3) Conditions climatiques plus chaudes / *Warmer climatic conditions*

A6.6 - ORIUM Pilot with HTi⁷⁰ 8 kW tri /2 heat pump

Fiche d'information technique produit (conformément au règlement UE n°811/2013, 813/2013)

Product data sheet (in accordance with EU regulation n°. 811/2013, 813/2013)

Marque / Brand name		intuis			
Modèle / Model		HTi ⁷⁰ 8 kW tri ORIUM 3S			
Pompe à chaleur air-eau <i>Air-to-water heat pump</i>	oui yes	Pompe à chaleur basse température <i>Low-temperature heat pump</i>	non no		
Pompe à chaleur eau-eau <i>Water-to-water heat pump</i>	non no	Équipée d'un dispositif d'appoint <i>Equipped with a supplementary heater</i>	oui yes		
Pompe à chaleur eau glycolée-eau <i>Brine-to-water heat pump</i>	non no	Dispositif de chauffage mixte par pompe à chaleur <i>Heat pump combination heater</i>	non no		
Caractéristique Item		Symbole Symbol	Unité Unit	35°C	55°C
Classe d'efficacité énergétique chauffage / Heating seasonal energy efficiency class				A+++	A+++
Puissance de chauffage nominale / Nominal heat output (*1)		Prated	kW	8	8
Puissance de chauffage nominale / Nominal heat output (*2)		Prated	kW	9	9
Puissance de chauffage nominale / Nominal heat output (*3)		Prated	kW	4	4
Puissance calorifique déclarée à charge partielle pour une température intérieure de 20°C, une température extérieure Tj avec application basse et moyenne température (35°C / 55°C) et les conditions climatiques moyennes. <i>Declared capacity for part load at indoor temperature 20°C, outdoor temperature Tj, low and medium temperature application (35°C / 55°C) and average climate condition.</i>					
Tj = -7°C		Pdh	kW	6,4	6,4
Tj = +2°C		Pdh	kW	4,1	4,2
Tj = +7°C		Pdh	kW	2,7	2,7
Tj = +12°C		Pdh	kW	1,9	1,9
Tj = température bivalente / Tj = Bivalence temperature		Pdh	kW	6,4	6,4
Tj = température limite fonctionnement / Tj = Operating limit temperature		Pdh	kW	6,4	5,9
Tj = -15°C		Pdh	kW	5,6	4,9
Température bivalente / Bivalence temperature		Tbiv	°C		-7
Puissance calorifique sur intervalle cyclique / Output for cyclical interval heating mode		Ppsych	kW		-
Coefficient de dégradation / Degradation coefficient		Cdh	-		0,9
Efficacité énergétique saisonnière / Seasonal energy efficiency (*1)		η_s	%	191	151
Efficacité énergétique saisonnière / Seasonal energy efficiency (*2)		η_s	%	139	110
Efficacité énergétique saisonnière / Seasonal energy efficiency (*3)		η_s	%	269	218
Coefficient de performance déclaré à charge partielle pour une température intérieure de 20°C, une température extérieure Tj avec application basse et moyenne température (35°C / 55°C) et les conditions climatiques moyennes <i>Declared capacity for part load at indoor temperature 20°C, outdoor temperature Tj, low and medium temperature application (35°C / 55°C) and average climate condition.</i>					
Tj = -7°C		COPd	-	3,01	2,30
Tj = +2°C		COPd	-	4,51	3,62
Tj = +7°C		COPd	-	6,96	5,48
Tj = +12°C		COPd	-	9,07	7,31
Tj = température bivalente / Tj = Bivalence temperature		COPd	-	3,01	2,30
Tj = température limite fonctionnement / Tj = Operating limit value temperature		COPd	-	2,84	2,12
Tj = -15°C		COPd	-	2,38	1,98
Température limite de fonctionnement / Operating limit temperature		TOL	°C		-10
Efficacité sur intervalle cyclique / Cycling interval efficiency		COPcyc	-		-
Température maximale eau de chauffage / Max. temperature for the heating water		WTOL	°C		70
Puissance électrique consommée dans les autres modes que le mode actif / Power consumption in modes other than active mode					
Mode arrêt / OFF mode		P _{OFF}	kW		0,005
Mode arrêt thermostat / Thermostat-off mode		P _{TO}	kW		0,014
Mode veille / Standby mode		P _{SB}	kW		0,005
Mode résistance de carter / Crankcase heater mode		P _{CK}	kW		0,014
Dispositif de chauffage d'appoint / Supplementary heater					
Puissance thermique nominale d'appoint / Nominal heat output of supplementary heater		P _{sup}	kW	1,1	1,6
Type d'énergie chauffage d'appoint / Type of energy input of supplementary heater		-	-	électrique / electric	
Autres caractéristiques / Other items					
Régulation de la puissance thermique / Heating capacity control		-	-	variable	
Consommation annuelle d'énergie / Annual energy consumption (*1)		Q _{HE}	kWh	3196	4036
Consommation annuelle d'énergie / Annual energy consumption (*2)		Q _{HE}	kWh	6485	7553
Consommation annuelle d'énergie / Annual energy consumption (*3)		Q _{HE}	kWh	815	1016
Puissance sonore intérieure - extérieure / Sound power level - indoor - outdoor		L _{WA}	dB	- / 54	- / 54
Débit d'air nominal à l'extérieur / Rated Air flow outdoor		-	m ³ /h	3500	
Coordonnées de contact / Contact details		intuis, rue de la République 80210 Feuquières-en-Vimeu			
Les précautions particulières qui doivent être prises lors du montage, l'installation et l'entretien, sont décrites dans la notice d'installation et d'utilisation. <i>All specific precautions for assembly, installation and maintenance are described in the operating and installation instructions. Read and follow the operating and installation instructions.</i>					

(*1) Conditions climatiques moyennes / Average climatic conditions

(*2) Conditions climatiques plus froides / Colder climatic conditions

(*3) Conditions climatiques plus chaudes / Warmer climatic conditions

NOTES :



www.intuis.fr

Industrial and development site

Rue de la République
CS 40029
80210 Feuquières-en-Vimeu

Customer service

+33 (0)9 78 45 10 26
service-consommateur@intuis.fr
service-client@intuis.fr

