

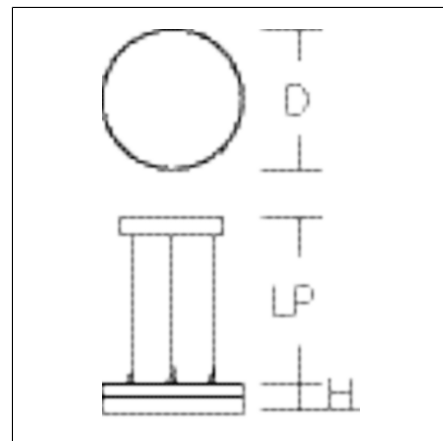
FLAT SLIM round

312643.004.730 | Pendant luminaires



Pendant luminaires
4051859802341
D 400, H 75

pendant
silver, matt (approx. RAL 9006)



Decorative round LED pendant luminaire. Base: pressure die-cast aluminium, powder-coated. Standard Gore™ Protective Vents diaphragm valve to avoid condensation. Canopy made of aluminium, powder-coated. Mouth blown 3-layer opal glass (Triplex glass) with satin finish. Glass fastening: bayonet fixing. Uniform lighting achieved by the use of LED panel boards. Suitable for pendant. 3-point steel cable suspension, steplessly adjustable. Special lengths available on request. MultiLumen: 2 steps adjustable luminous flux. Factory setting is the highest luminous flux. MultiColour: Colour temperature individually adjustable either 3000 K or 4000 K via switching element. Factory setting is 3000 K. With Casambi smart+free Bluetooth® control for wireless network and operation using Android / iOS devices, free app available for download.

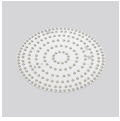
Product specifications

Diameter D	400 mm
Height H	75 mm
Suspension length LP	500-1500 mm
Weight	6.36 kg
Light source	LED
Colour temperature	3000 K 4000 K
Rated luminous flux	3000 K: 2450 lm 3850 lm 4000 K: 2500 lm 4000 lm
System power	3000 K: 25 W 41 W 4000 K: 25 W 41 W
System efficiency	3000 K: 98 lm/W 94 lm/W 4000 K: 100 lm/W 98 lm/W
Glare evaluation RUG (4H 8H)	3000 K: 22 23,6 4000 K: 22,1 23,7
Beam angle	down 130° up 180°
Rated life	50000 h (L90/B50)
Colour rendering index (CRI)	80
Colour tolerance (McAdam)	3 SDCM
Photobiological safety according to EN 62471	Risk group 1
Driver	Converter, dimmable
Control	smart+free (Bluetooth)
Voltage	220 - 240 V / 50 Hz, 60 Hz
Luminaires on B10A fuse	12
Luminaires on B16A fuse	20
Luminaires on C10A fuse	21
Luminaires on C16A fuse	34
Inrush current / Inrush current duration	21 A / 230 µs
CIE Flux Code / CEN Flux Code	40 69 90 84 100
Protection class	I
Filament test	960 °C
Impact resistance	IK03
Ambient temperature	-20 °C bis + 40 °C
Conformity mark	CE, EAC

FLAT SLIM round

312643.004.730 | Pendant luminaires

Spareparts



982972.002
Replacement LED module



982891.002
Replacement glass