

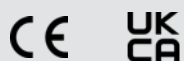


EXO

GIG-E CAMERA SVS-VISTEK



- Powered by the highest quality Sony global shutter CMOS sensors
- Mechanical mounts on 4 sides
- POE (Power Over Ethernet) single-cable option
- C-Mount lens support
- Fully compatible with MX-E series vision processors (IMPACT 13.1.2 or greater required with enhanced license enabled)
- IP40 mechanical protection degree



AVAILABLE MODELS

Mono / Color	Resolution	fps	Description	Code
Mono	1440 x 1080	250	Camera MONOCHROME GIG-E, 1440X1080, 250fps, 1/2.9"	959980005
Color			Camera COLOR GIG-E, 1440X1080, 250fps, 1/2.9"	959980006
Mono	1920 x 1200	41	Camera MONOCHROME GIG-E, 1920x1200, 41fps, 1/1.2"	959980007
Color			Camera COLOR GIG-E, 1920x1200, 41fps, 1/1.2"	959980008
Mono	2448 x 2048	24.5	Camera MONOCHROME GIG-E, 2448x2048, 24.5fps, 2/3"	959980009
Color			Camera COLOR GIG-E, 2448x2048, 24.5fps, 2/3"	959980010

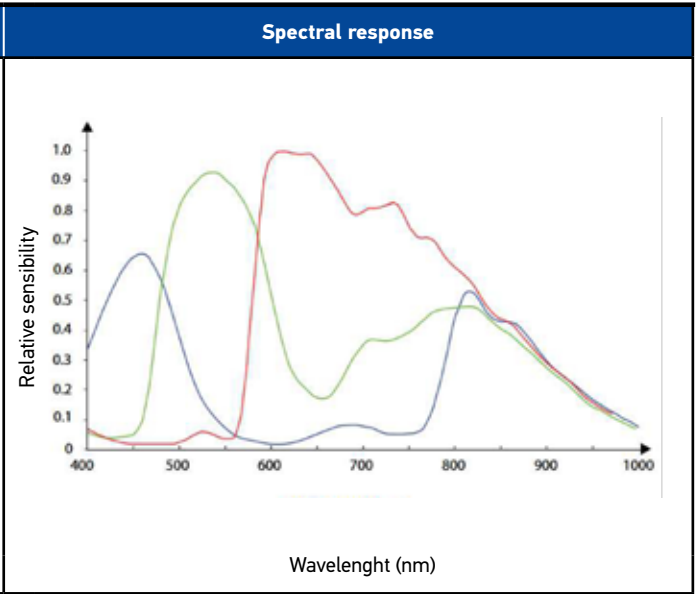
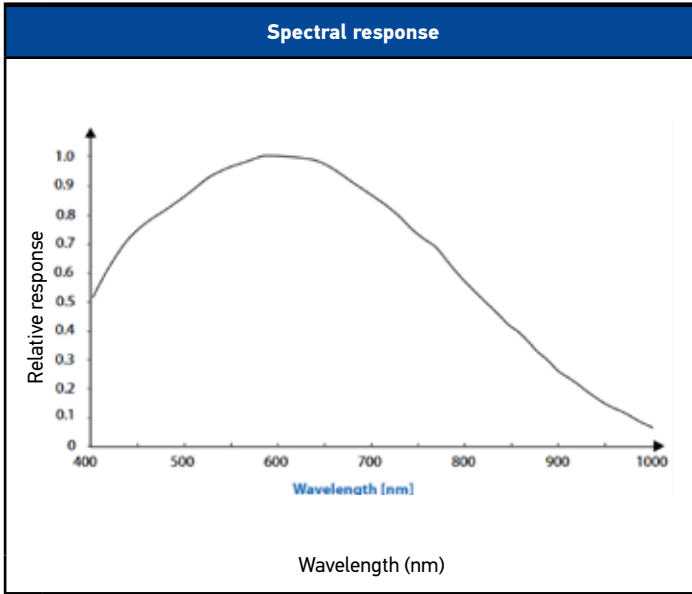
TECHNICAL FEATURES

	EXO MONOCHROME GIG-E, 1440 X1080, 250FPS, 1/2.9"	EXO COLOR GIG-E, 1440 X1080, 250FPS, 1/2.9"	EXO MONOCHROME GIG-E, 1920 X1200, 41FPS, 1/1.2"	EXO COLOR GIG-E, 1920 X1200, 41FPS, 1/1.2"	EXO MONOCHROME GIG-E, 2448 X2048, 24.5FPS, 2/3"	EXO COLOR GIG-E, 2448 X2048, 24.5FPS, 2/3"
Lens mount	C-Mount					
Power Requirements	PoE or 10-25 VDC					
Dimensions	50 x 50 x 42.7 mm		50 x 50 x 42.9 mm		50 x 50 x 43 mm	
Operating Temp.	-10...60°C					
Mechanical Protection	IP40					
Resolution	1440 x1080		1920 x1200		2448 x 2048	
Imager	1/2.9" CMOS		1/1.2" CMOS		2/2" CMOS	
Shutter	Global					
Frame rate (FPS)	250		41		24.5	
PoE	•					
Pixel size	3.45 x 3.45 um		5.86 x 5.86 um		3.45 x 3.45 um	
Mono/Color	Monochrome	Color	Monochrome	Color	Monochrome	Color

RESPONSE DIAGRAMS

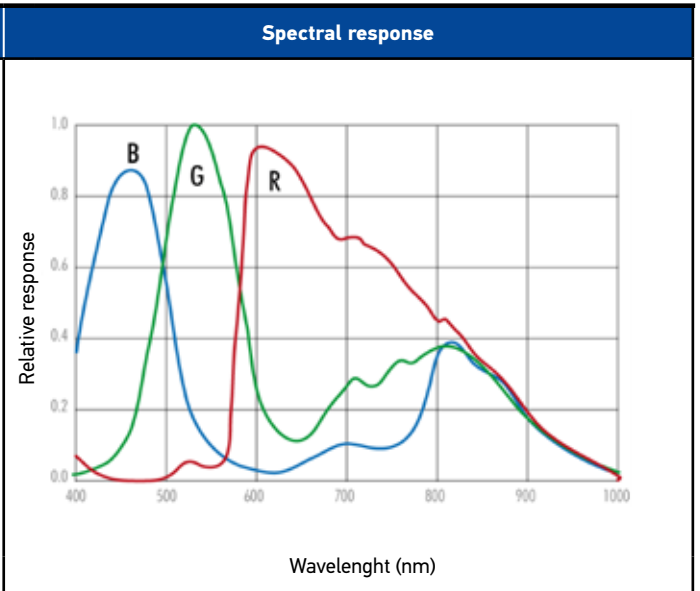
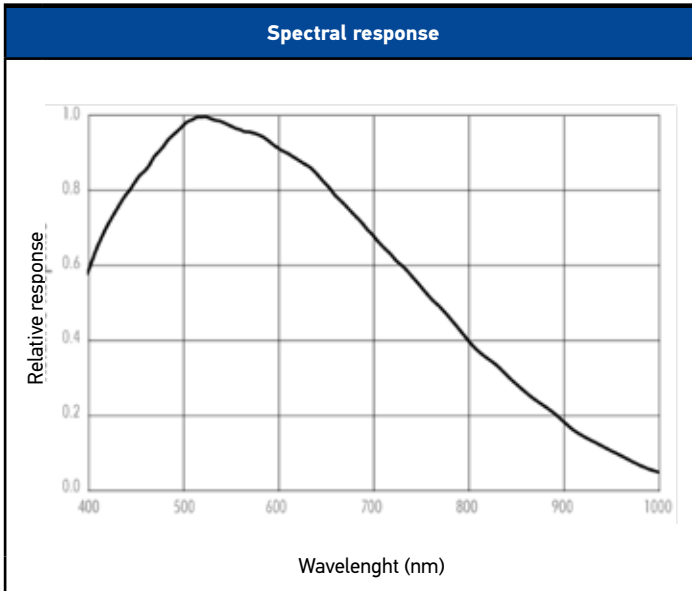
EXO MONO. GIG-E, 1440 X1080, 250FPS, 1/2.9"

EXO COLOR GIG-E, 1440 X1080, 250FPS, 1/2.9"



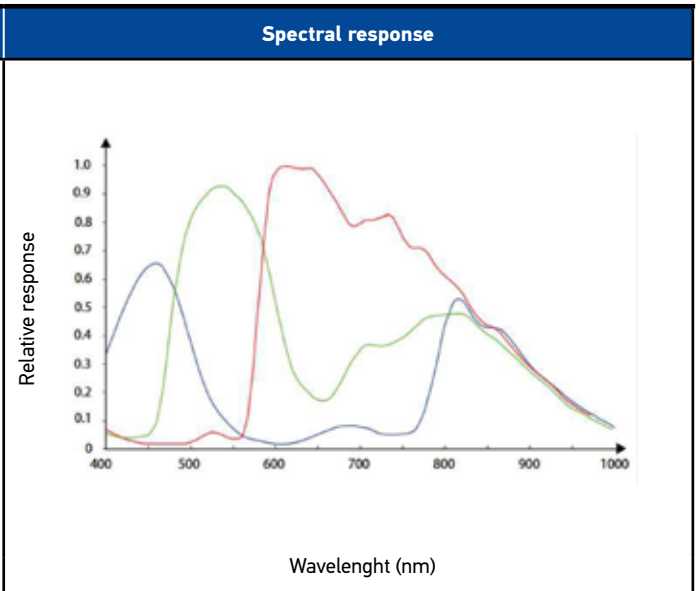
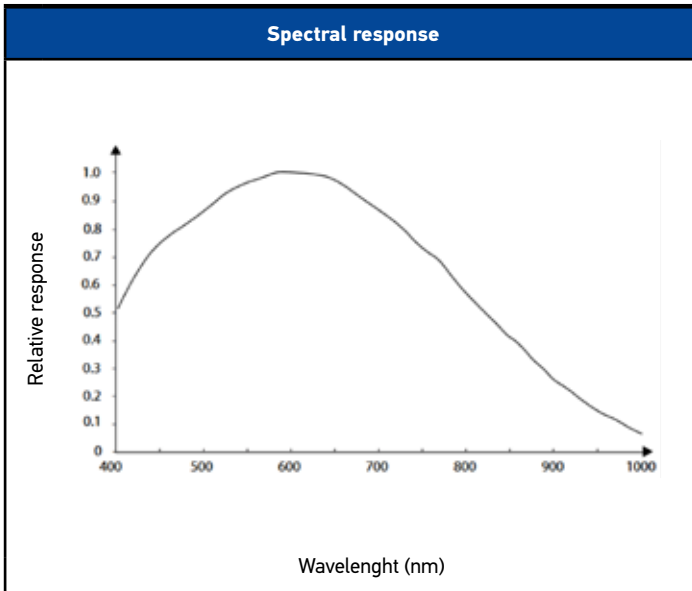
EXO MONO. GIG-E, 1920 X1200, 41 FPS, 1/1.2"

EXO COLOR GIG-E, 1920 X1200, 41 FPS, 1/1.2"

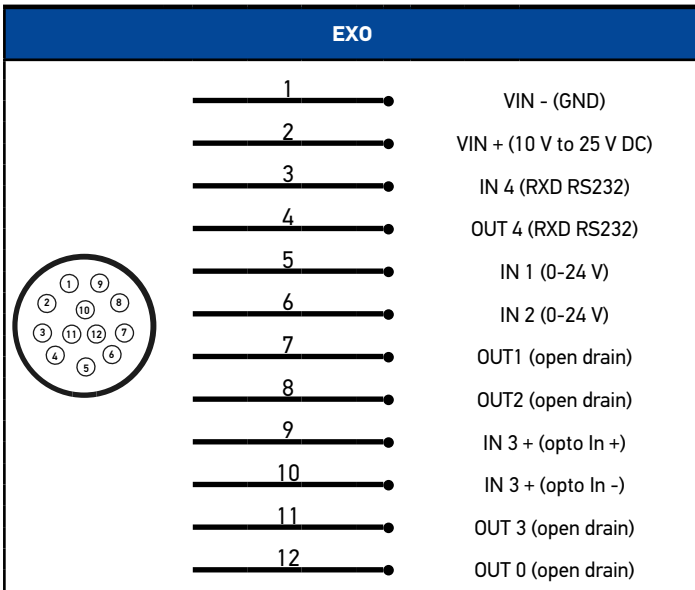


EXO MONO. GIG-E, 2448 X2048, 24.5 FPS, 2/3"

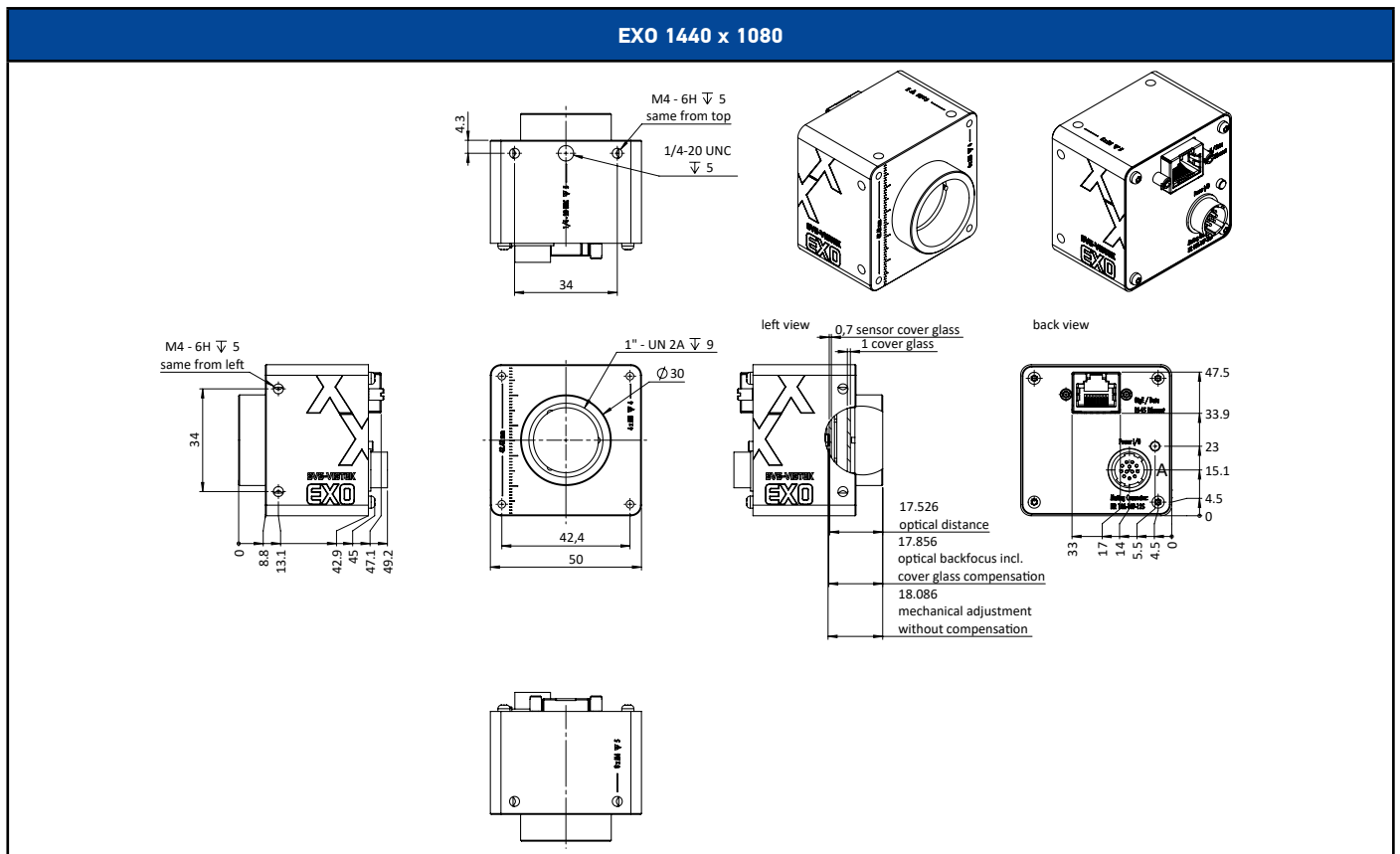
EXO COLOR GIG-E, 2448 X2048, 24.5 FPS, 2/3"



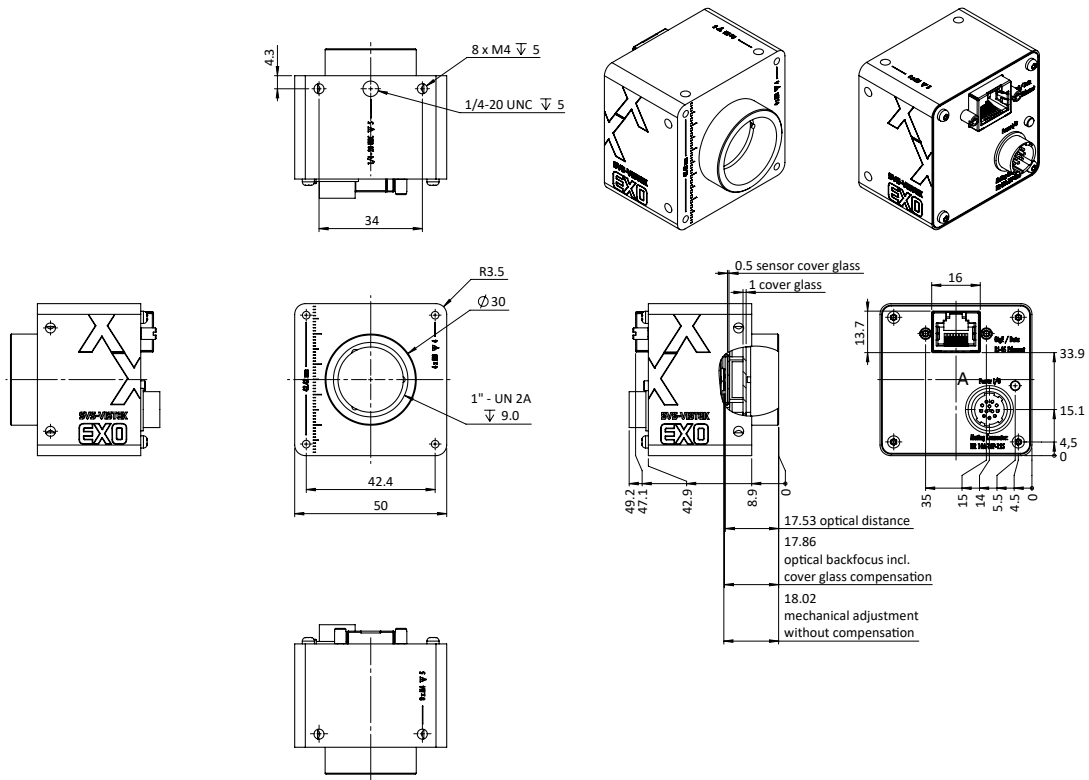
CONNECTION DIAGRAMS



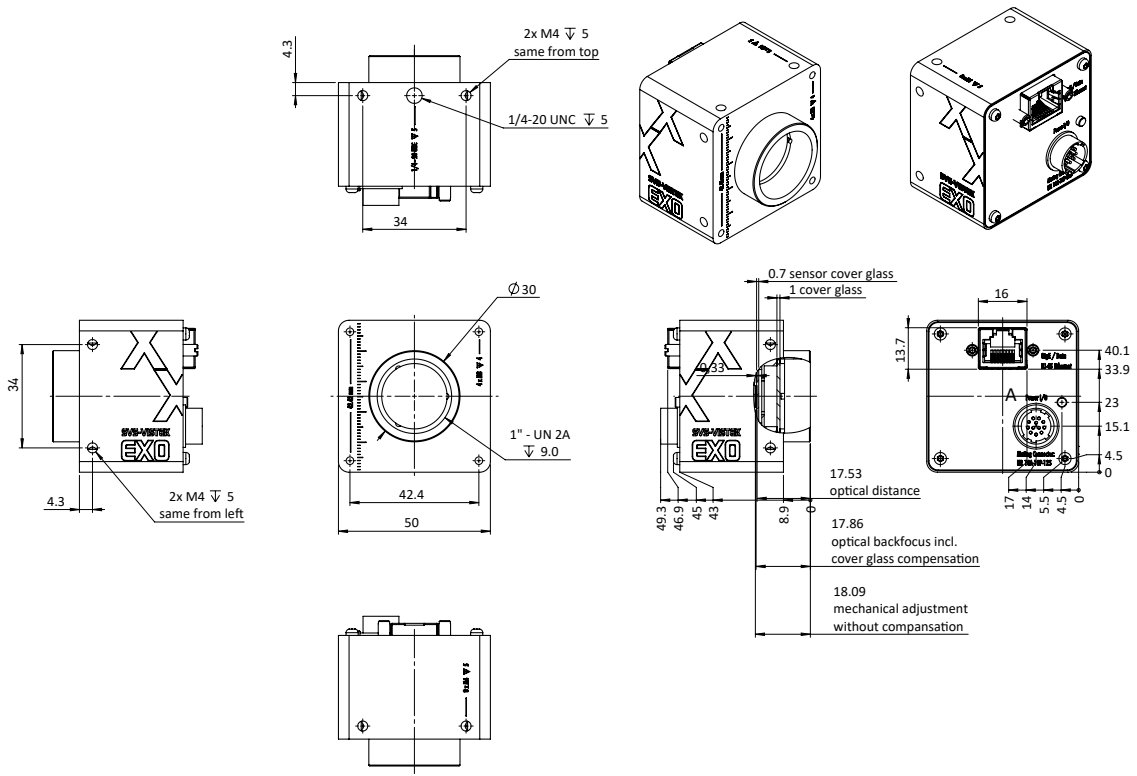
DIMENSIONS



EXO 1920 x 1200



EXO 2448 x 2048



I/O CABLES

MODEL	DESCRIPTION
606-0671-03	Power Supply/I/O cable, 12pin, pigtail, 3M
606-0671-05	Power Supply/I/O cable, 12pin, pigtail, 5M
606-0671-10	Power Supply/I/O cable, 12pin, pigtail, 10M
606-0673-10	Cable, M2xx, M3xx and M5xx Camera, Power and I/O, 12 pin, 10 Meter, Camera to Terminal Block
606-0673-03	Cable, M2xx, M3xx and M5xx Camera, Power and I/O, 12 pin, 3 Meter, Camera to Terminal Block
606-0673-05	Cable, M2xx, M3xx and M5xx Camera, Power and I/O, 12 pin, 5 Meter, Camera to Terminal Block

I/O BOARD

MODEL	DESCRIPTION
248-0136	I/O Board, Standard, Female HD15, DIN Rail Mountable