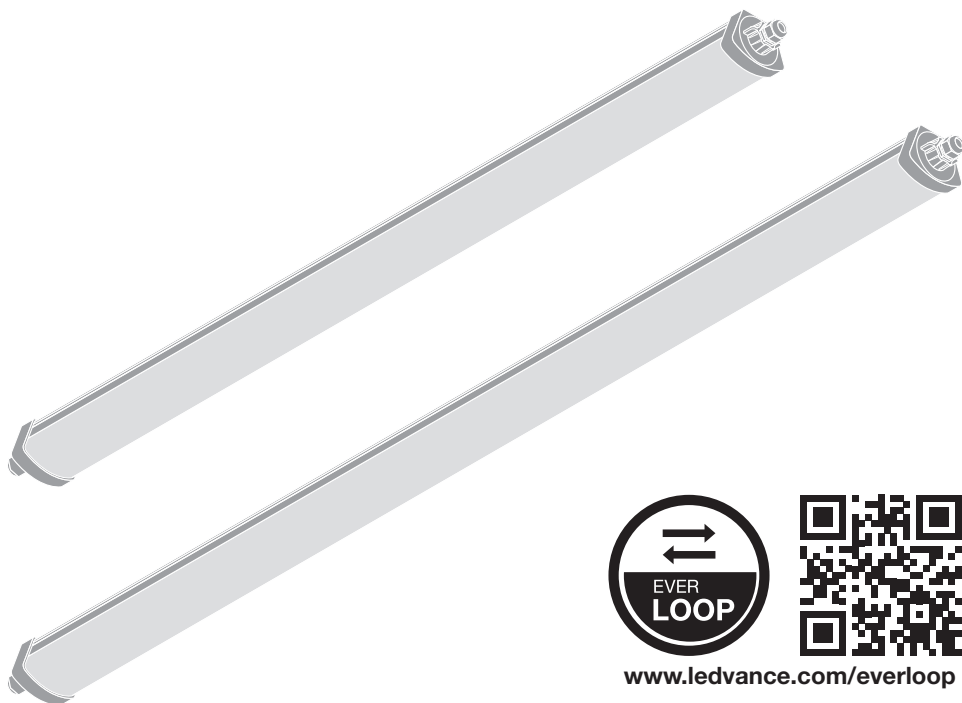


# DAMP PROOF FLEX TH IP66



LEDVANCE



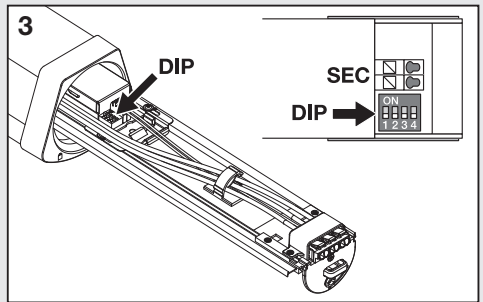
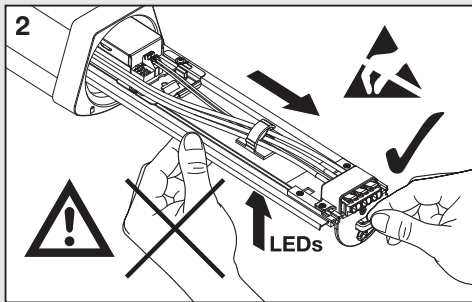
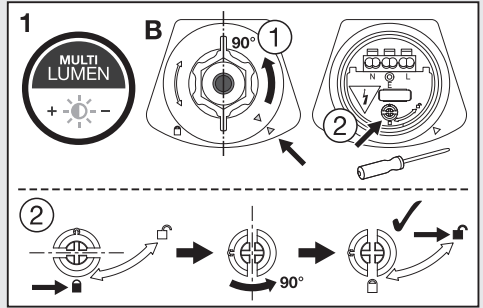
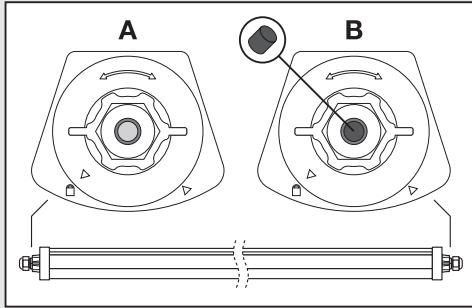
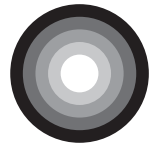
[www.ledvance.com/everloop](http://www.ledvance.com/everloop)

|                                   | EAN           | l x w x h [mm] | W* | V <sub>AC</sub> | Hz        | lm*  | lm/W* |
|-----------------------------------|---------------|----------------|----|-----------------|-----------|------|-------|
| DP FLEX TH 1200 P 34W ML 830 IP66 | 4099854440588 | 1290 x 88 x 73 | 34 | 220-240V        | 0/50/60Hz | 5500 | 162   |
| DP FLEX TH 1200 P 34W ML 840 IP66 | 4099854440601 | 1290 x 88 x 73 | 34 | 220-240V        | 0/50/60Hz | 5600 | 165   |
| DP FLEX TH 1200 P 34W ML 865 IP66 | 4099854440625 | 1290 x 88 x 73 | 34 | 220-240V        | 0/50/60Hz | 5600 | 165   |
| DP FLEX TH 1500 P 42W ML 830 IP66 | 4099854440649 | 1590 x 88 x 73 | 42 | 220-240V        | 0/50/60Hz | 6800 | 162   |
| DP FLEX TH 1500 P 42W ML 840 IP66 | 4099854440663 | 1590 x 88 x 73 | 42 | 220-240V        | 0/50/60Hz | 6900 | 164   |
| DP FLEX TH 1500 P 42W ML 865 IP66 | 4099854440687 | 1590 x 88 x 73 | 42 | 220-240V        | 0/50/60Hz | 6900 | 164   |

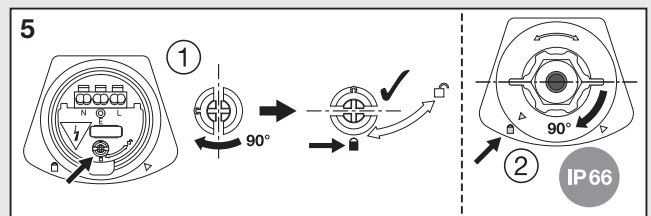
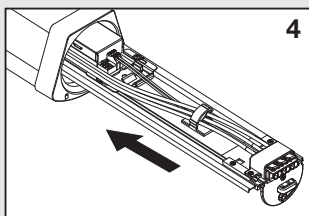
|                                   | EAN           | K    | IP | IK | ∠    | R <sub>a</sub> | ∅ (°C)    | PF    | ⊎     |
|-----------------------------------|---------------|------|----|----|------|----------------|-----------|-------|-------|
| DP FLEX TH 1200 P 34W ML 830 IP66 | 4099854440588 | 3000 | 66 | 08 | 120° | > 80           | -30...+50 | > 0.9 | 1.3kg |
| DP FLEX TH 1200 P 34W ML 840 IP66 | 4099854440601 | 4000 | 66 | 08 | 120° | > 80           | -30...+50 | > 0.9 | 1.3kg |
| DP FLEX TH 1200 P 34W ML 865 IP66 | 4099854440625 | 6500 | 66 | 08 | 120° | > 80           | -30...+50 | > 0.9 | 1.3kg |
| DP FLEX TH 1500 P 42W ML 830 IP66 | 4099854440649 | 3000 | 66 | 08 | 120° | > 80           | -30...+50 | > 0.9 | 1.5kg |
| DP FLEX TH 1500 P 42W ML 840 IP66 | 4099854440663 | 4000 | 66 | 08 | 120° | > 80           | -30...+50 | > 0.9 | 1.5kg |
| DP FLEX TH 1500 P 42W ML 865 IP66 | 4099854440687 | 6500 | 66 | 08 | 120° | > 80           | -30...+50 | > 0.9 | 1.5kg |



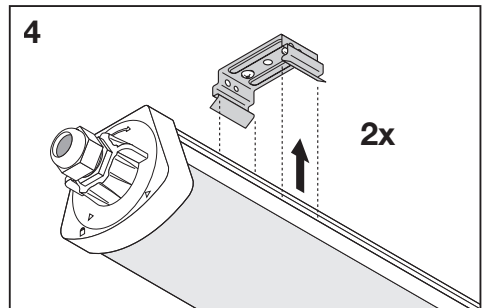
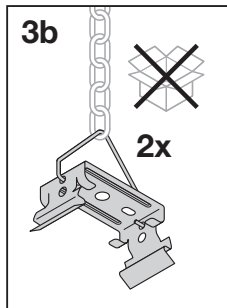
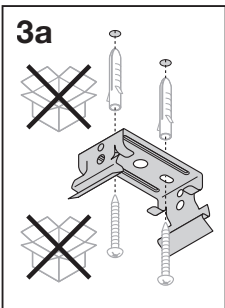
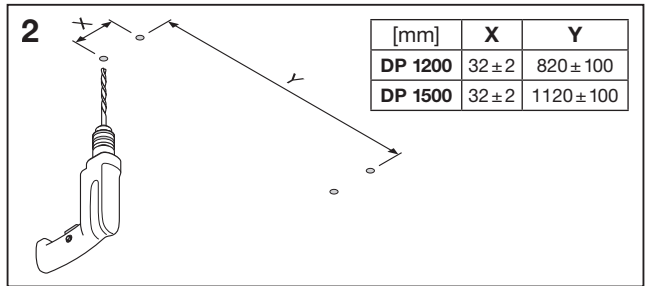
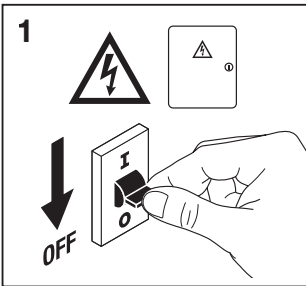
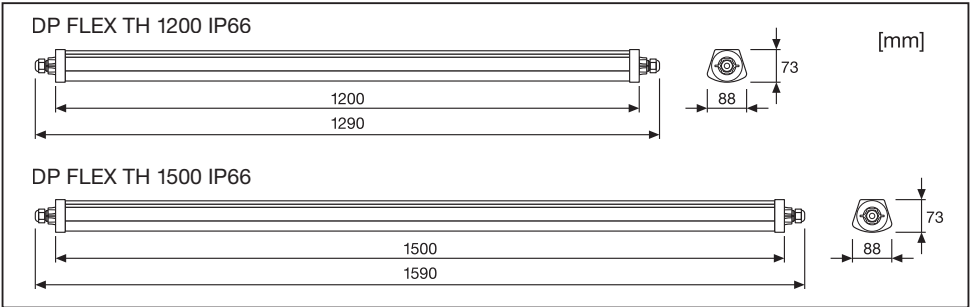
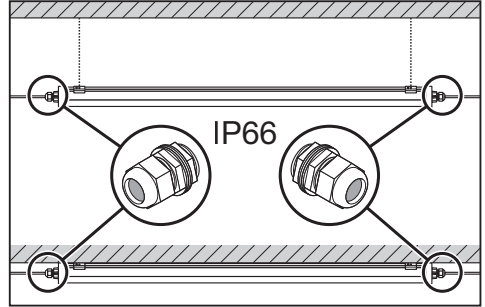
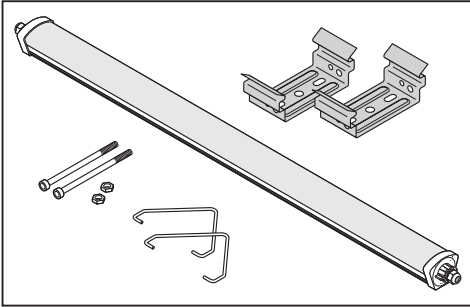
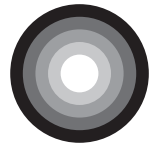
# DAMP PROOF FLEX TH IP66

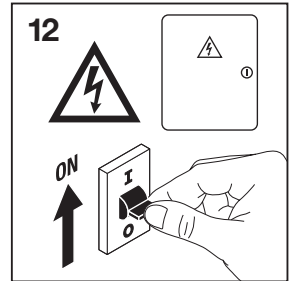
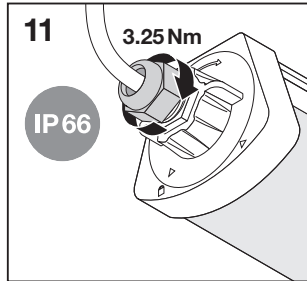
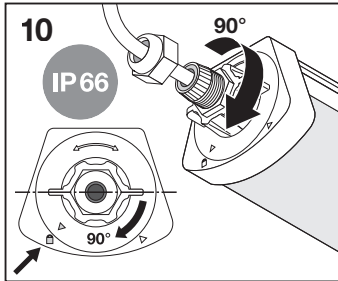
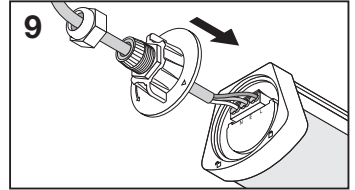
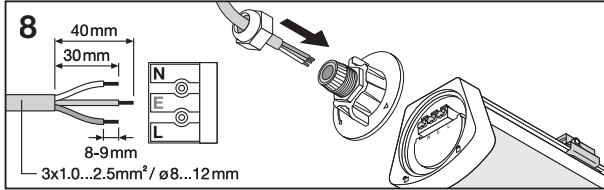
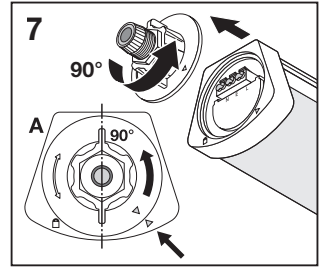
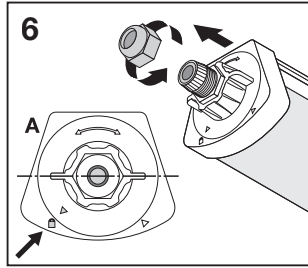
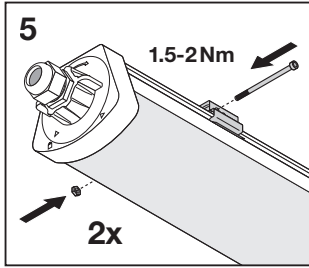


| DIP  | PIN 1 | PIN 2 | PIN 3 | PIN 4 | W  | lm   | lm/W | SEC      |           |
|--|-------|-------|-------|-------|----|------|------|----------|-----------|
|  |       |       |       |       |    |      |      | lin [mA] | lout [mA] |
| DP FLEX TH 1200 P 34W ML 830 IP66                                      | OFF   | OFF   | OFF   | ON    | 19 | 3000 | 158  | 90       | 125       |
|  | OFF   | OFF   | ON    | ON    | 26 | 4200 | 162  | 118      | 175       |
|  | OFF   | ON    | OFF   | OFF   | 31 | 4900 | 158  | 136      | 200       |
|  | OFF   | ON    | OFF   | ON    | 34 | 5500 | 162  | 153      | 225       |
| DP FLEX TH 1200 P 34W ML 840 IP66<br>DP FLEX TH 1200 P 34W ML 865 IP66 | OFF   | OFF   | OFF   | ON    | 19 | 3100 | 163  | 90       | 125       |
|  | OFF   | OFF   | ON    | ON    | 26 | 4300 | 165  | 119      | 175       |
|  | OFF   | ON    | OFF   | OFF   | 31 | 5100 | 165  | 128      | 200       |
| DP FLEX TH 1500 P 42W ML 830 IP66                                      | OFF   | ON    | OFF   | ON    | 34 | 5600 | 165  | 153      | 225       |
|  | OFF   | OFF   | ON    | OFF   | 23 | 3600 | 157  | 104      | 150       |
|  | OFF   | ON    | OFF   | OFF   | 31 | 4900 | 158  | 137      | 200       |
|  | OFF   | ON    | ON    | OFF   | 38 | 6100 | 161  | 168      | 250       |
| DP FLEX TH 1500 P 42W ML 840 IP66<br>DP FLEX TH 1500 P 42W ML 865 IP66 | OFF   | ON    | ON    | ON    | 42 | 6800 | 162  | 187      | 275       |
|  | OFF   | OFF   | ON    | OFF   | 23 | 3700 | 161  | 104      | 150       |
|  | OFF   | ON    | OFF   | OFF   | 31 | 5000 | 161  | 138      | 200       |
|  | OFF   | ON    | ON    | OFF   | 38 | 6300 | 166  | 169      | 250       |
|  | OFF   | ON    | ON    | ON    | 42 | 6900 | 164  | 187      | 275       |



# DAMP PROOF FLEX TH IP66





1x

2x

... nx

| n                     | B16 | C10 | C16 |
|-----------------------|-----|-----|-----|
| DP FLEX TH 1200 P 34W | 26  | 28  | 42  |
| DP FLEX TH 1500 P 42W | 26  | 28  | 42  |

EN 25

CE UK CA EAC

FR

RECICLA Al Azul

PAP Raccolta Carta

Verifica le disposizioni del tuo comune.

FR

Cet appareil et ses accessoires se recyclent

À DÉPOSER EN MAGASIN

À DÉPOSER EN DÉCHÈTERIE

OU

Points de collecte sur [www.quefairedemesdechets.fr](http://www.quefairedemesdechets.fr)

LEDVANCE SASU  
CQM, 5 rue d'Altorf  
67120 Molshheim France  
[www.ledvance.com](http://www.ledvance.com)

© LEDVANCE Ltd, Sterling House,  
810 Mandarin Court, Warrington,  
Cheshire, WA1 1GG, United Kingdom

C10449057  
G11287676  
15.04.26